



2255

The Performance... of Power



Preliminary brochure
January 2018
ENGLISH

EFFER
RAISE THE VALUE

**For over 50 years, we've
been designing big
knuckleboom cranes to help
your business succeed.**



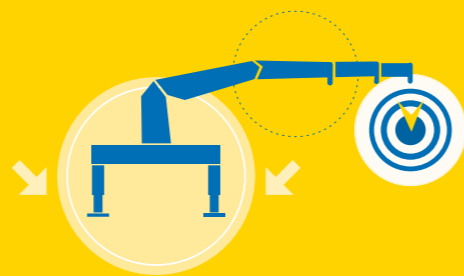
This time we've raised the bar: we created the new 8S crane with 10 extensions!



KJ: the revolutionary solution

When you need it, you can get more reach with the KJ, our new hydraulic equipment designed to improve the flexibility of the crane. **With two additional extensions**, the KJ combines the lifting performance of the crane with greater articulation height.

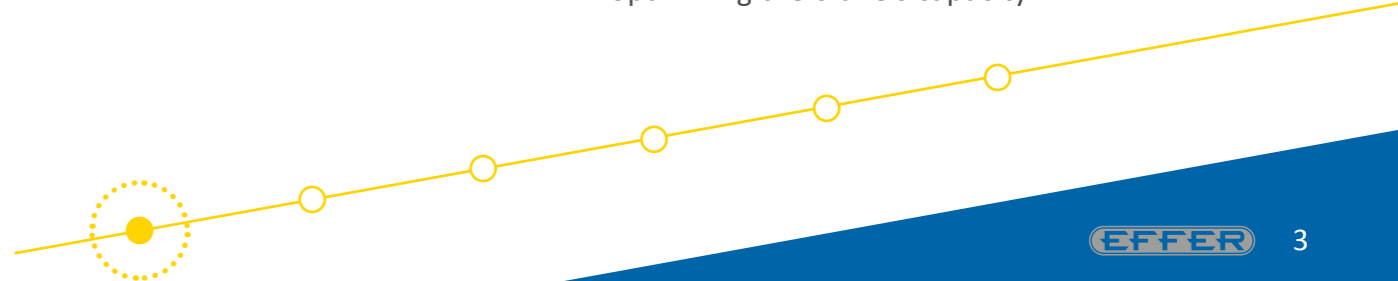
NO LIMITS



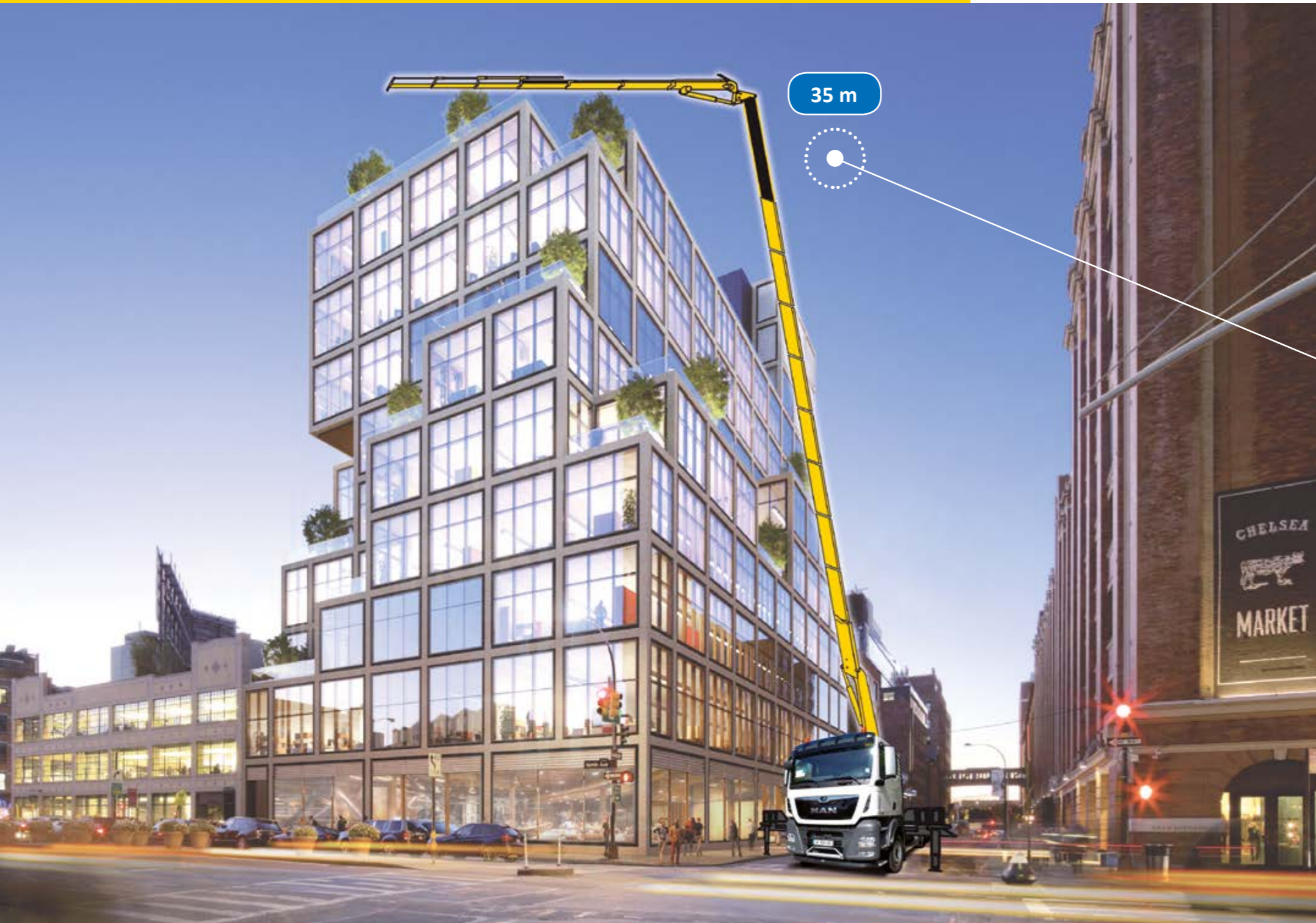
Maximum flexibility

You can leave the KJ installed on the crane, completely stowed inside the first boom, and with the jib mounted. **Everything is ready to use.**

All of the electronic and hydraulic systems are designed to ensure maximum performance, both with and without the KJ, always optimizing the crane's capacity.



The construction sector grows upwards and we evolve with it



2 floors more going Up & Over

The KJ is a great advantage when operating at great heights: it is a very flexible solution which allows you to carry out jobs that otherwise you could not do. **Combined with the jib, the KJ allows you to reach an articulation height of 35 metres: the new record for the articulated cranes.**

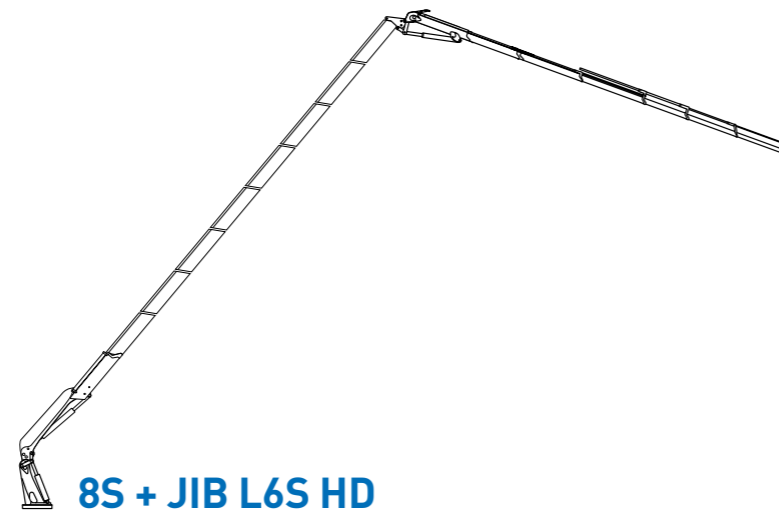
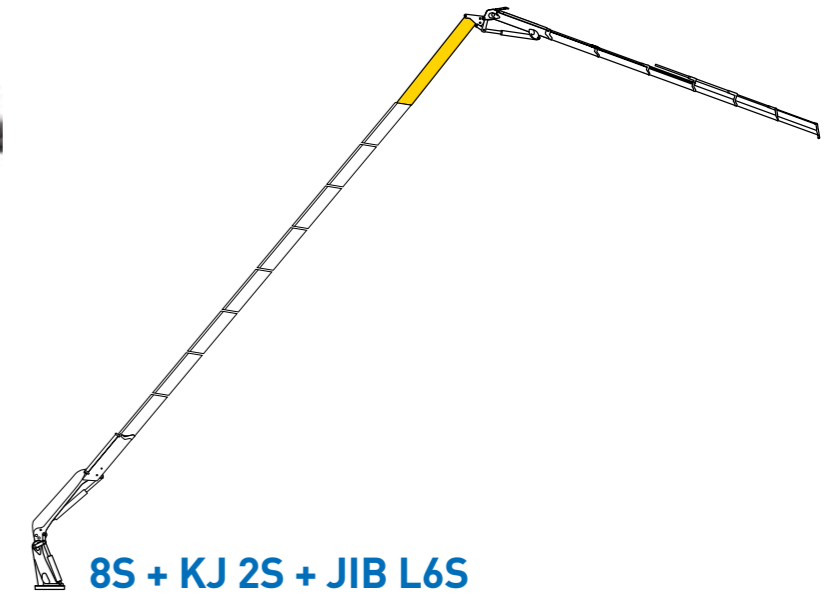
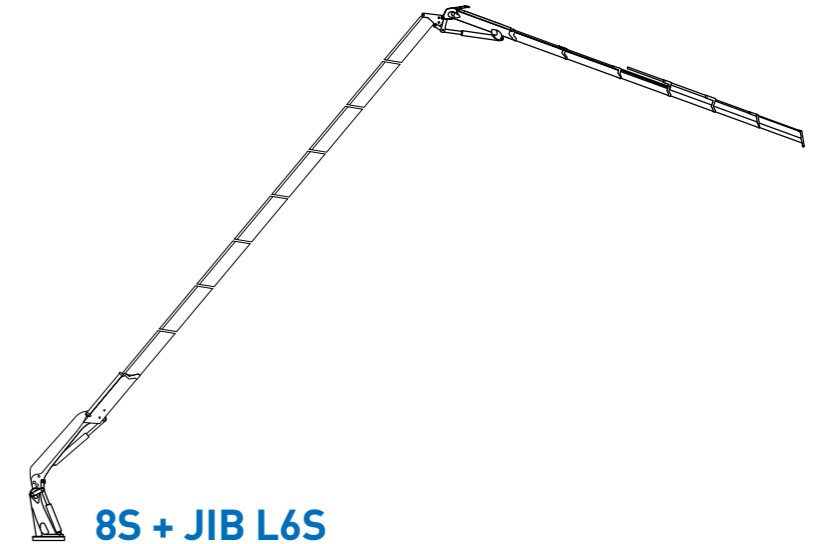
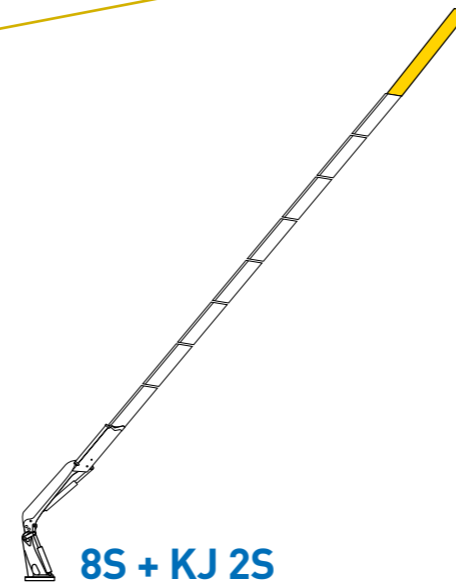


7 solutions to get anywhere

Go from the 8S base crane to the 10S with the KJ!

The 2255 can satisfy all requirements. In fact, thanks to the combination of all equipment available, you can have 7 different configurations:

- 8S
- 8S + KJ 2S
- 8S + JIB L6S
- 8S + KJ 2S + JIB L6S
- 8S + JIB L6S + JIB 3S
- 8S + JIB L6S HD
- 8S + JIB L6S HD + JIB 3S



Take full advantage of your 2255: JIB and 2nd JIB work together

Simultaneous movements = speed & versatility

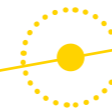


Effer provides **CE certification** to work with 2 JIBS



Articulation at 49 metres!

The 2nd JIB is an option which allows you to work at outstanding heights, shifting the articulation point to 49 metres. The 2nd JIB has CE certification in accordance with the current regulations. In addition, you have the ability to move the 2nd JIB with a remote control **to make all maneuvers simultaneous.**



The 2 Effer solutions for the rear stabilizers

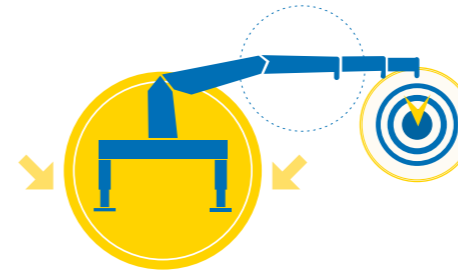


More possibilities: stabilizers under the chassis

Thanks to this enhancement, it is possible to **install a truck body** to carry anything you may need for your job.



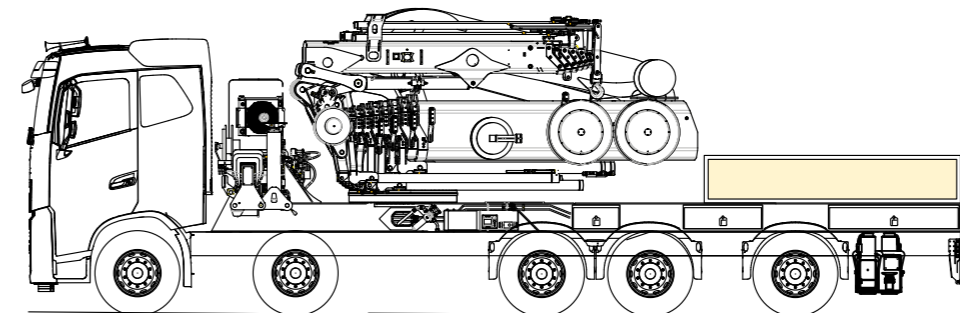
NO LIMITS



EASY WORK

Optimized stability everywhere

Of the many features of the 2255 which make the difference, the stabilization system is one of the most important. The stabilizers extension exceeds 11 metres, and the chassis stiffness ensures a rigid and stable vehicle. The base is specifically designed to be compact and to fit all 4 and 5 axles chassis.



Maximum comfort with automatic rotating stabilizers

Compact installation

Ergonomic controls and ease of use are strong features of the 2255. The rotation system of the foot cylinder on all stabilizers (including the tail stabilizers), avoids any interference with the different components of the truck and ensures a compact installation.



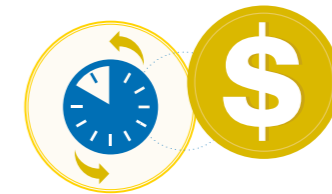
Manage everything from your remote control

The automatic rotation option allows you to move the support cylinders using only the remote control. The movements of the stabilizers are automatic and all in sequence. **This eliminates any manual operation, enhancing the safety of the unit.**

SAFETY



TIME TO MONEY



The details that count

All of the JIBS power supply systems pass through the second boom, making the 2255 the ideal solution for smooth operation.



Hose Reels

The hose reels are available for both JIB controls, and as an option for the independent controls of the 2nd JIB. Hose reels are ideal for those who need maximum compactness.

Hose support system

Effer offers a hose support system for those operators more accustomed to retracting hydraulic hoses on the crane.



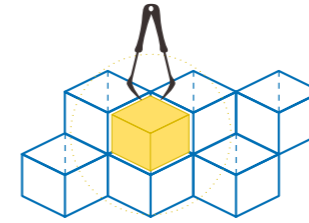
The details that count



Bronze pads on the stabilizers

To ensure maximum stability and stiffness, Effer created pads made of bronze, an ultras resistant material, to reduce mechanical clearance. These are a standard feature of the boom extensions and they are mounted on the stabilizers of the new 2255 to minimize side movements.

SURGICAL PRECISION



Maximum flexibility of use

Multiple attachment points allows operators to attach lifting accessories, such as hooks, on the crane boom and on the jibs. **This allows for more options to attach the load so you can adapt to its dimensions.**



Efficient lubrication

Our new greasing system and use of bronze ensures the **maximum resistance to wear and tear, and the maximum efficiency during the lubrication of components.**

ICON

The look of the future



Design and functionality

All of the crane controls are inside the cover on the column, making manual maneuvers easier for the operator.



Under a different light

The entire panel of PROGRESS 2.0, the new electronic control system, is always lit for maximum visibility under all working conditions, offering maximum ease of use. There is also a column for visual alerts.

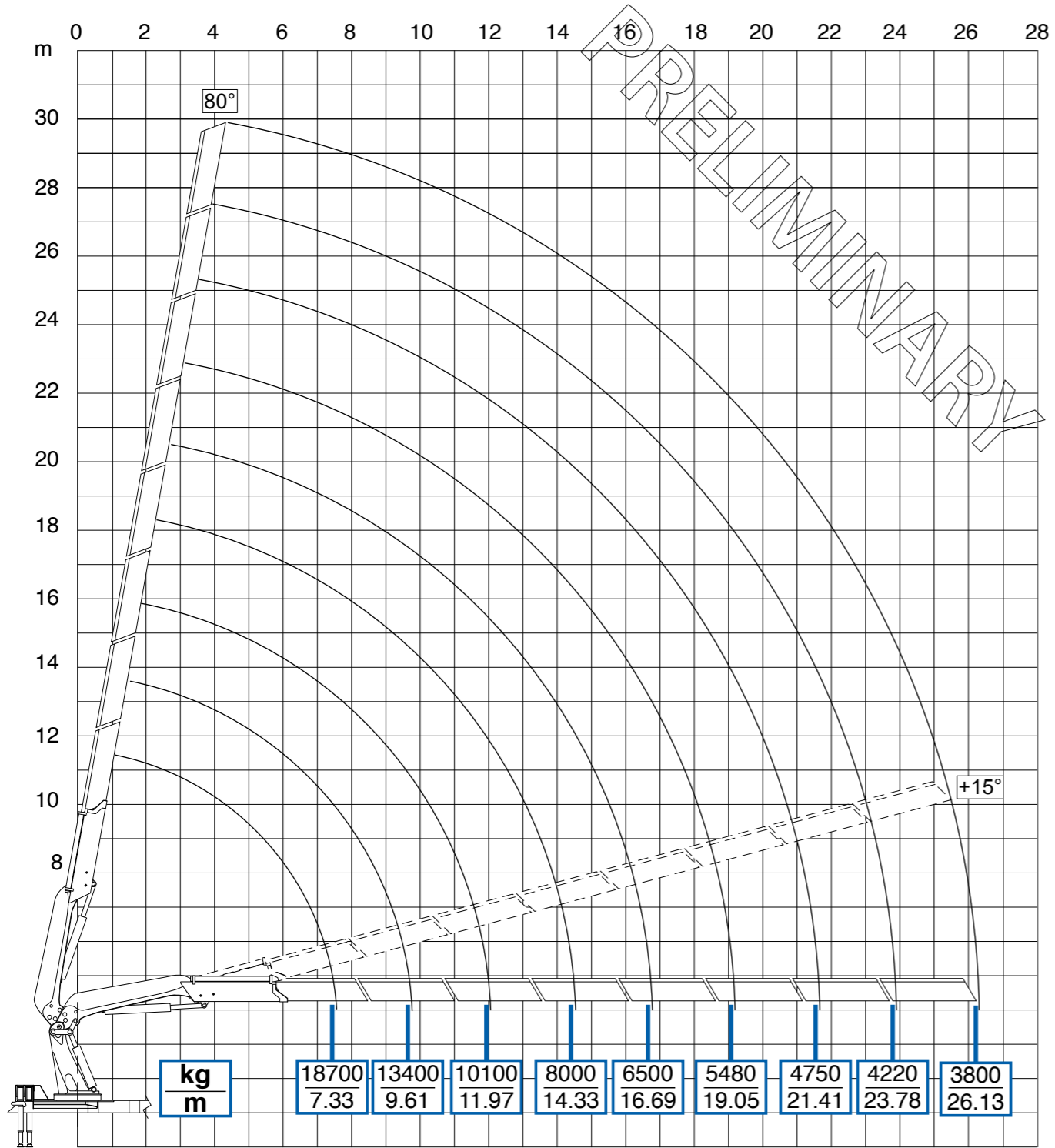


An attractive design to protect the components

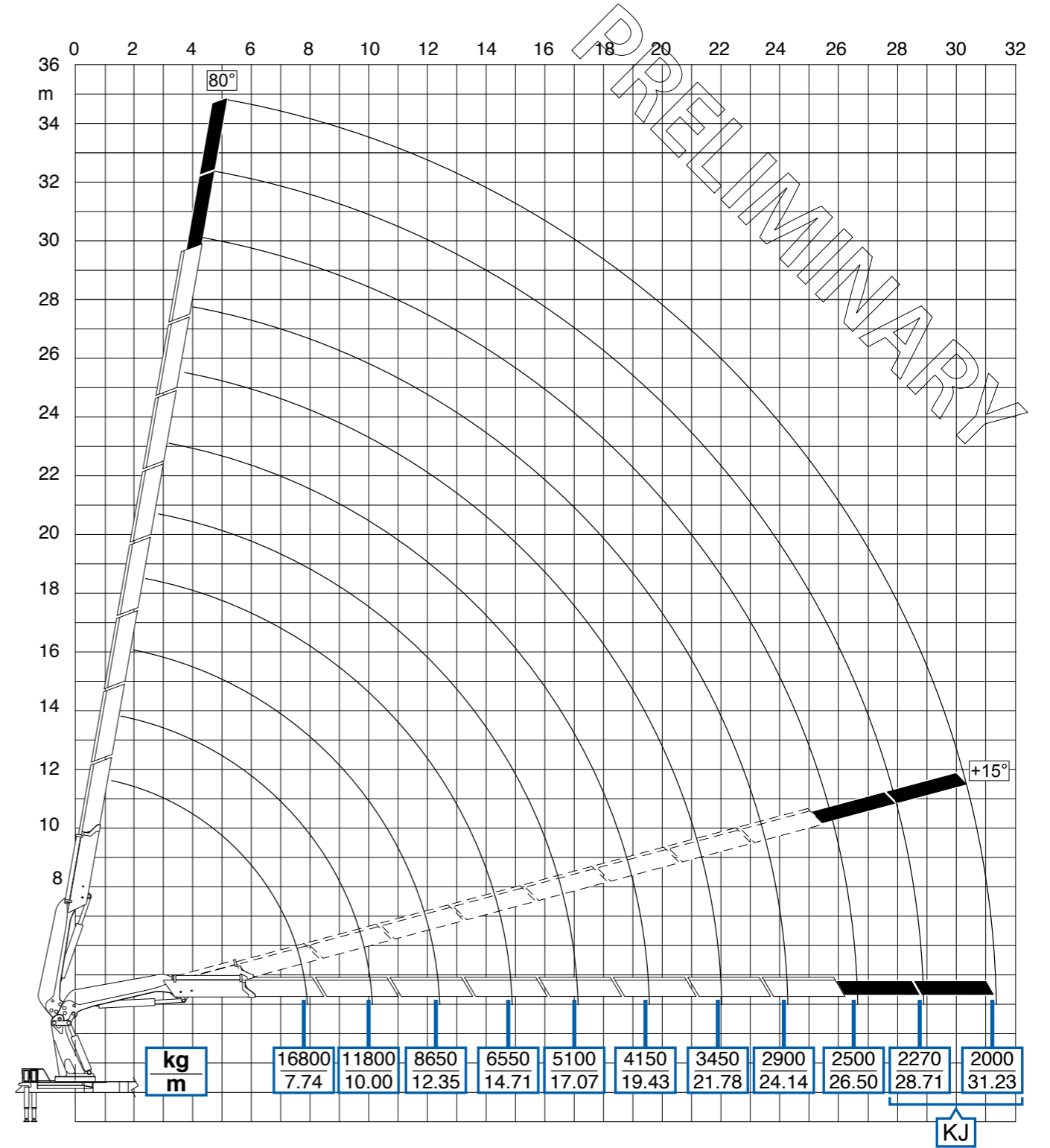
The stabilizers controls are in a protected position while staying easily accessible. A resistant metal cover protects and hides these components.



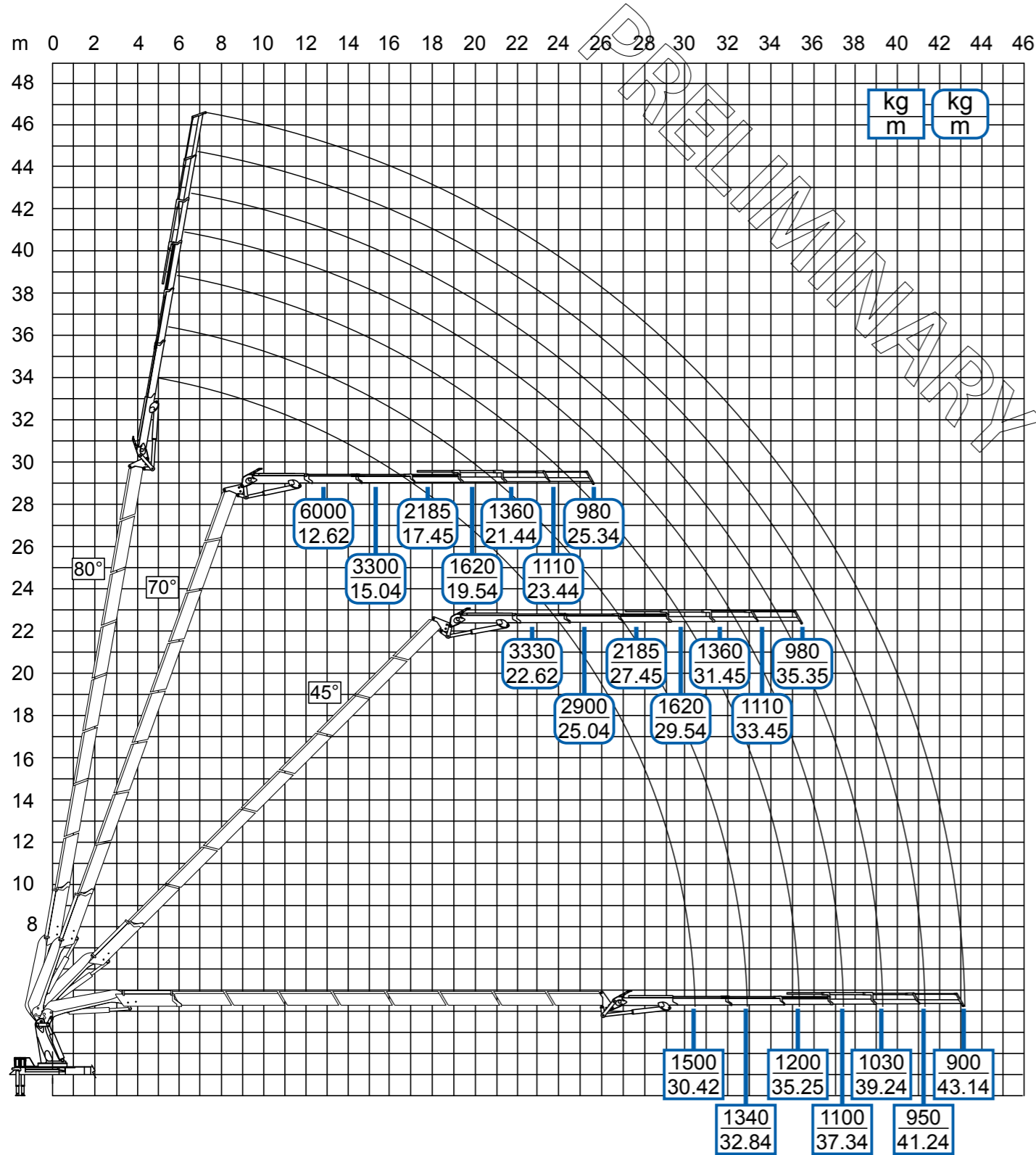
8S



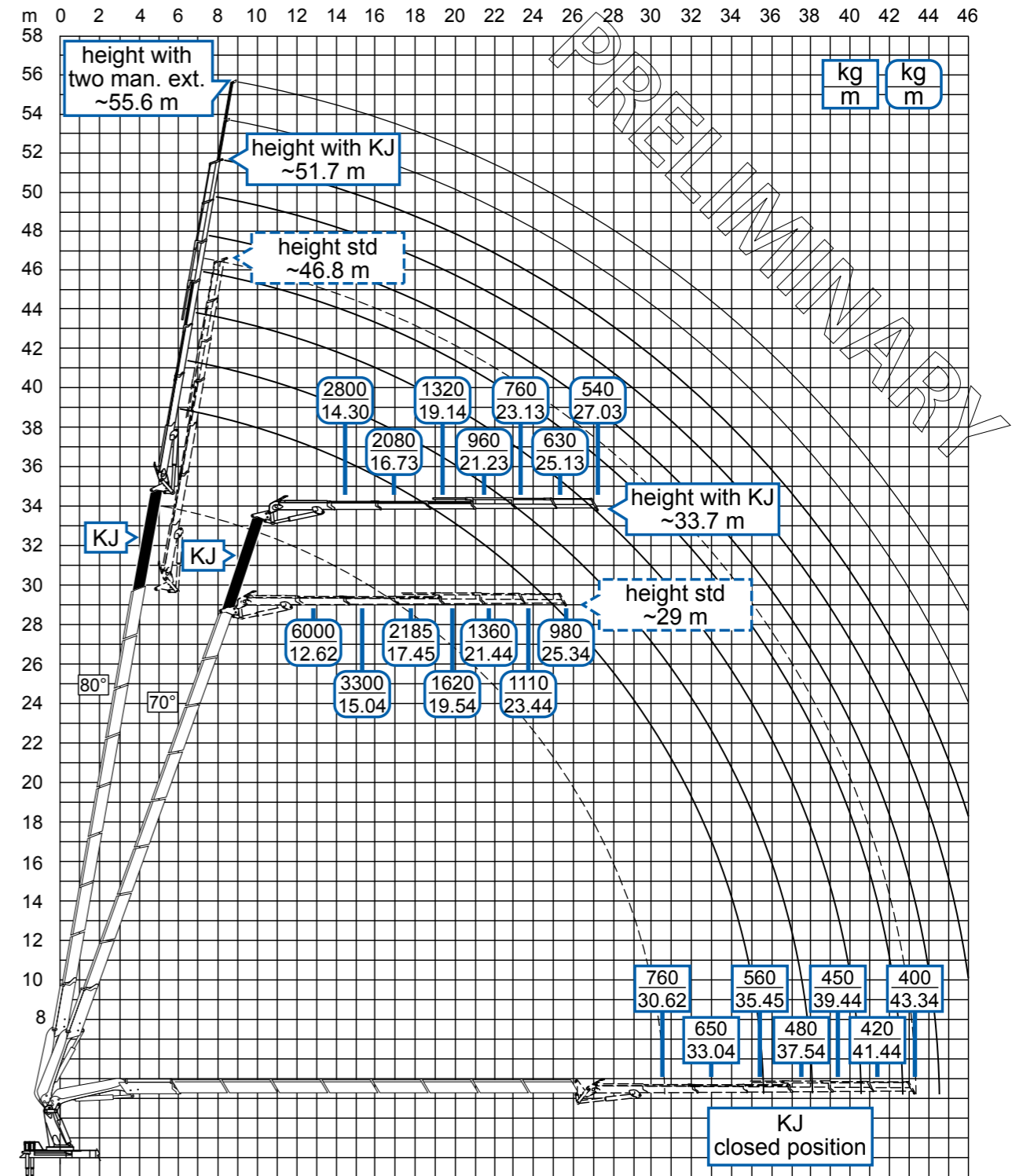
8S + KJ 2S



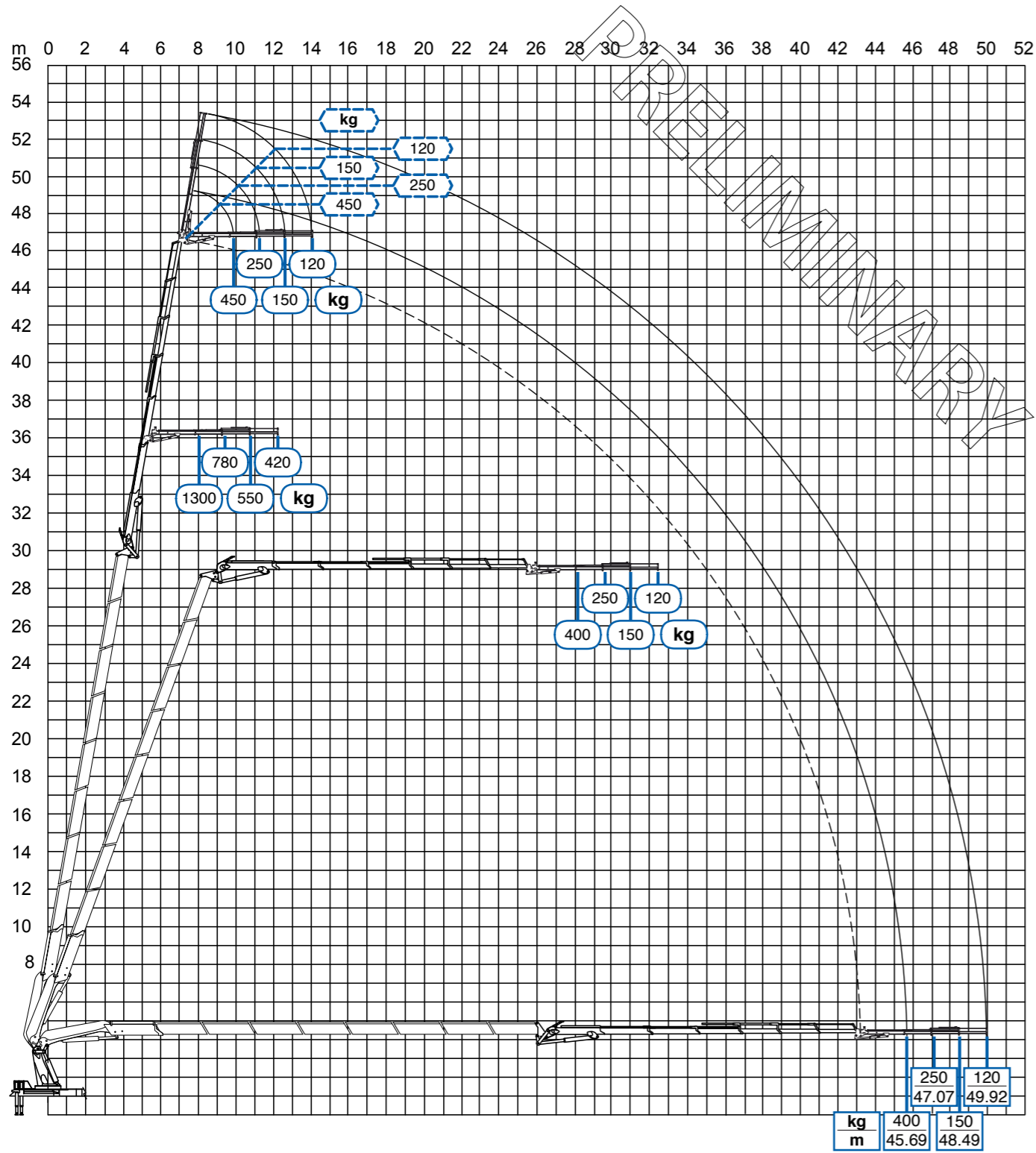
8S + JIB L6S



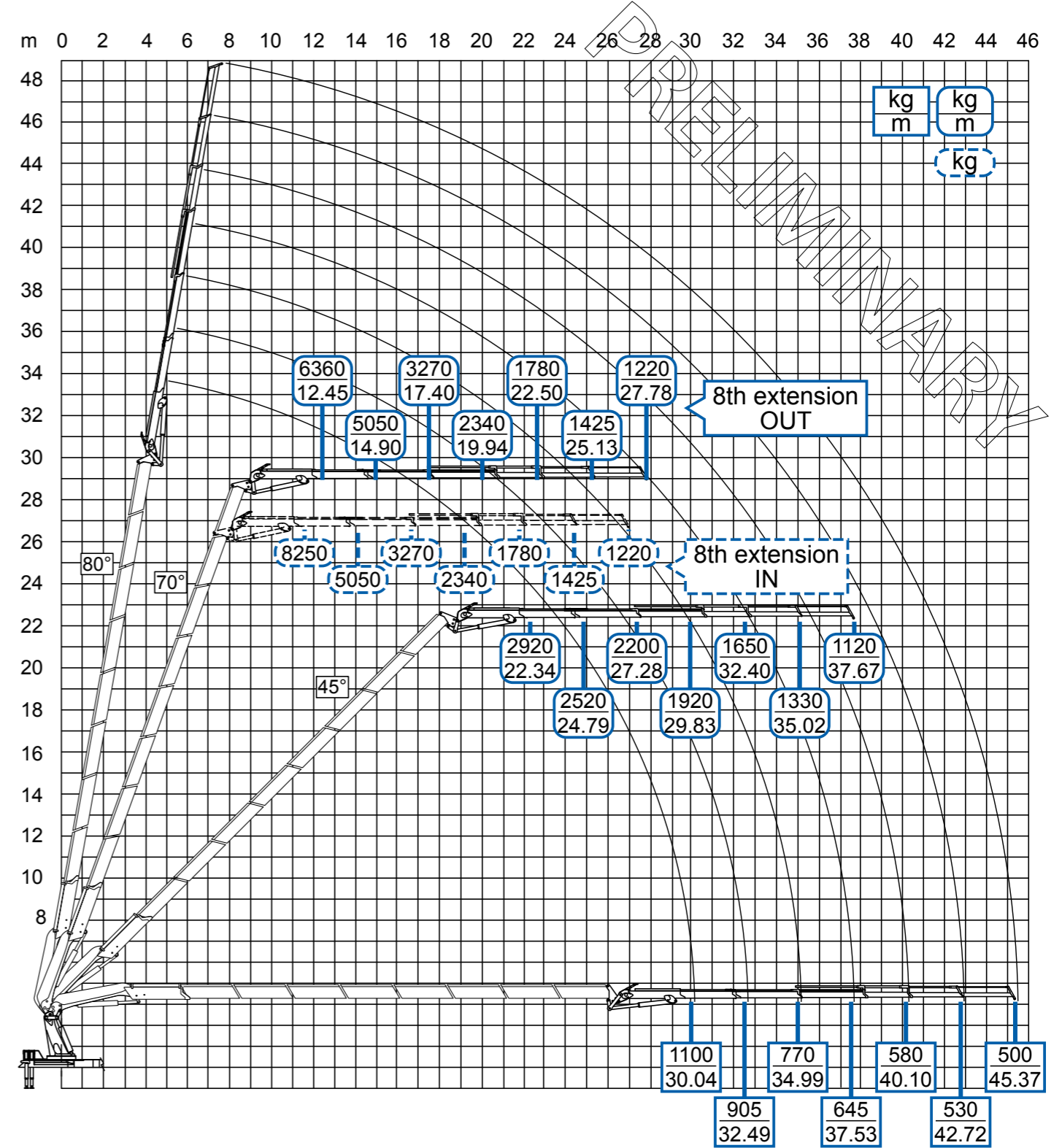
8S + KJ 2S + JIB L6S



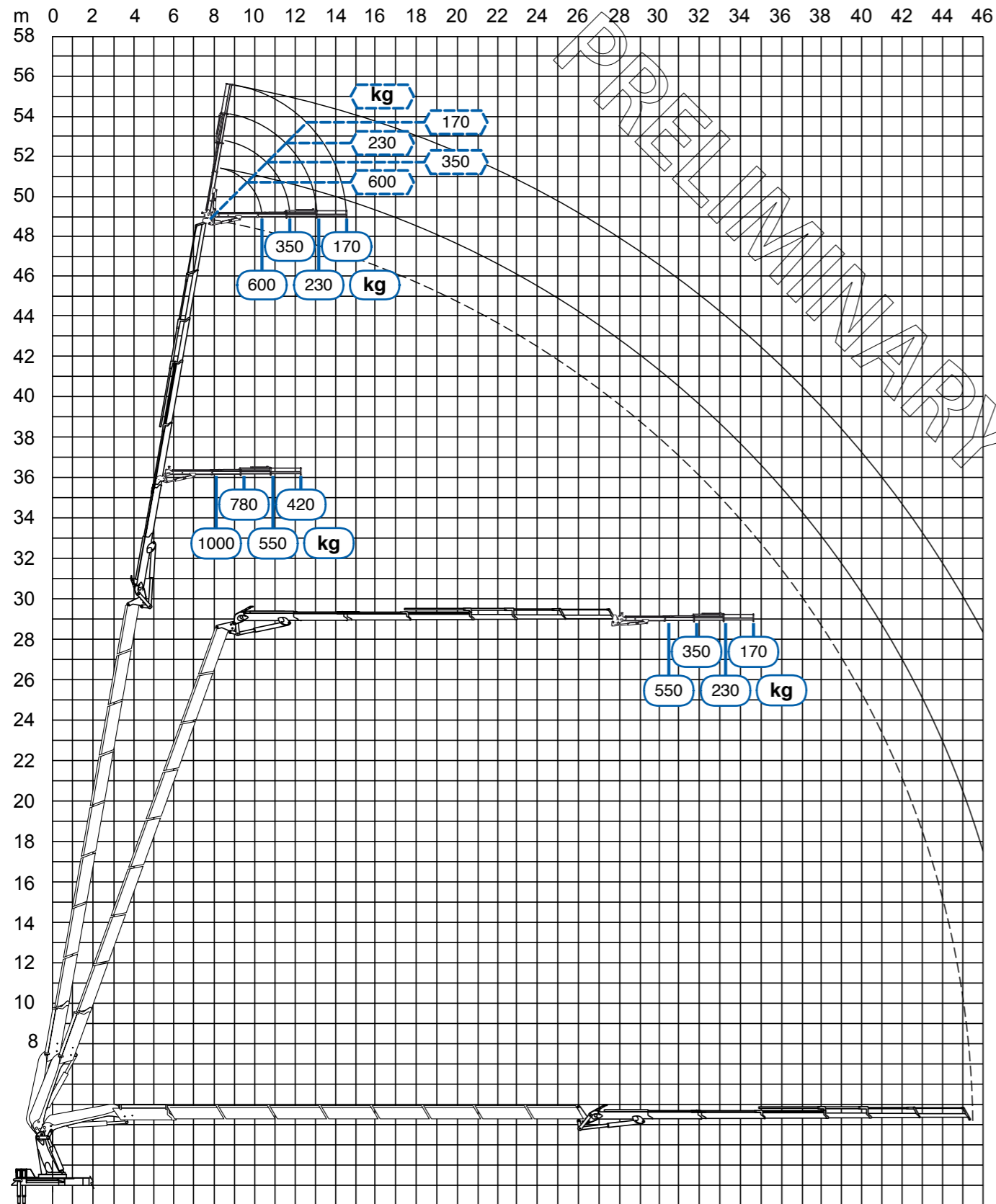
8S + JIB L6S + JIB 3S



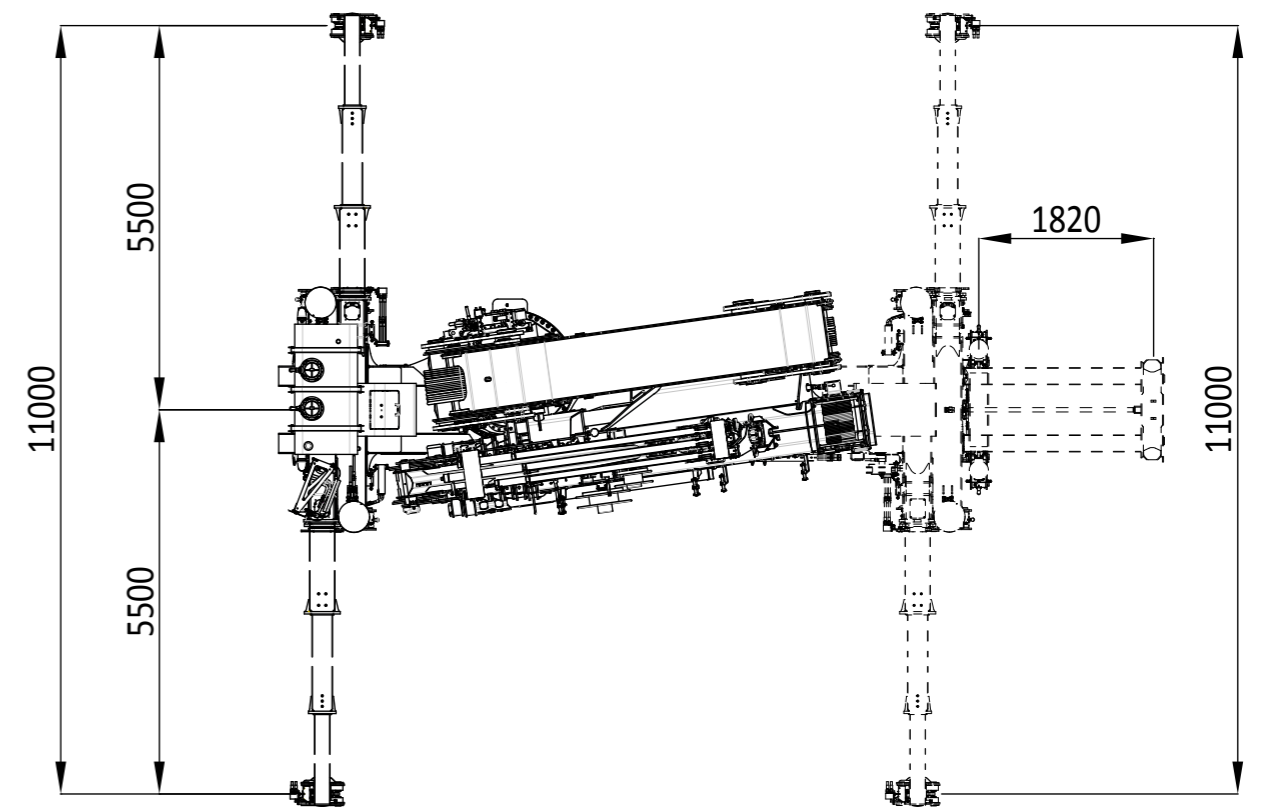
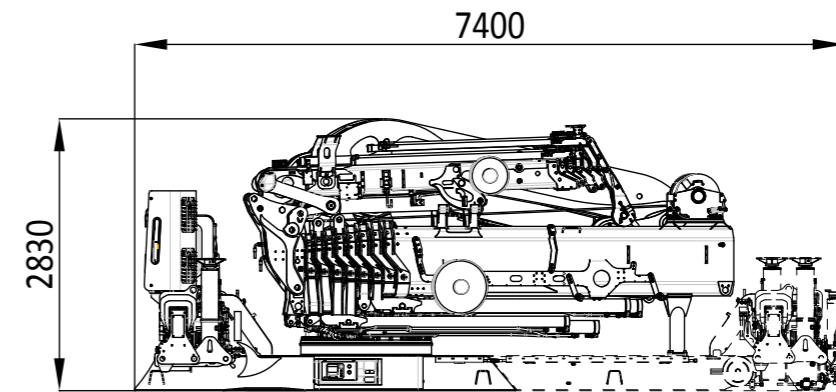
8S + JIB L6S Heavy Duty



8S + JIB L6S Heavy Duty + JIB 3S



Dimensions



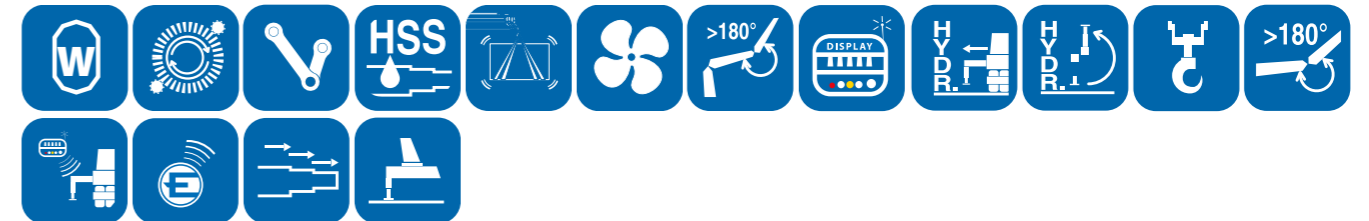
[mm]

Technical Data

➤ For more info and technical details please see **EFFER PRODUCT GUIDE** on www.effer.com

DESCRIPTION	UNITS OF MEASURE	8S	
Max. hydraulic outreach	m	26,13	
Max. lifting moment (+20°)	kgm	137070	
	kNm	1344	
Slewing arc		endless	
Slewing Capacity Max slope	%	8,7	
Working pressure	bar	385	
Maximum Oil Delivery	l/min	200	
Oil tank capacity	l	550	
Weight of the standard crane (±2%)	kg	20630	

STANDARD



OPTIONAL



CRANE DESIGNED ACCORDING TO STANDARDS UNI EN 12999 HC1 S1 HD5

The configurations and figures contained in the brochure are illustrative. For information on the complete offer and for more technical details, ask your Effer dealer or consult the website www.effer.com. The above data are subject to change. Lifting capacity is based on the maximum lifting power of the crane. The stability of the truck may require a reduction of lifting capacity.





EFFER S.p.A.

Via IV Novembre, 12 | 40061 Minerbio (BO) – Italy
Tel. +39 051 4181211 | Fax. +39 051 4181491
S.P. 40 ex Vicinale Accetta Grande | 74010 Statte (TA) – Italy
Tel +39 099 4700191
www.effer.com | www.effermarine.com | info@effer.it

