

Nonstop-Dumper

Wacker Neuson Kabinen-Dumper

3001 • 6001 • 9001 • 10001+



**WACKER
NEUSON**



**Performance plus,
every day:
The All-Weather Machine.**

Superiority that pays: with a Wacker Neuson cab dumper, the weather is always on your side.

Maintain productivity when the weather makes others down tools. Earn money while others are immobilized: inclement conditions suit the cab dumper down to the ground, with its all-wheel drive, raw power, off-road capability and extreme gradeability – in combination with weather-independence – making it doubly valuable and always on-call.



Wacker Neuson factors:

- Two-door ROPS/FOPS Level II safety cab.
- Optimal all-round vision.
- Cab heating.
- Lockable maintenance access.
- Unbeatable price / performance ratio.
- Ex-works assembly.

cabspace

Nonstop-Dumper: Weather-impervious with comfort cab!



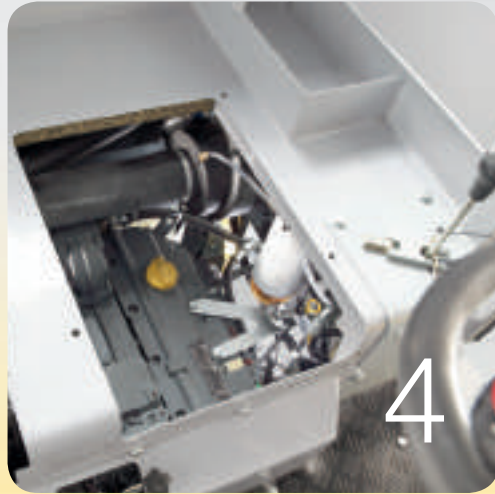
The weather is getting worse. The conditions are getting harsher. This is when little things start to make the difference. Your Wacker Neuson cab dumper has what it takes to ensure the outlook remains bright. Down to the last detail.

Perfectly prepared for hard work and optimally equipped:

- Internal storage and tool compartments.
- Drinks holder.
- CD-radio unit*.
- Plug connection for dome light.
- Rearview mirror set*.
- Protective grille for front windscreen*.

*available as option

30001
60001
90001
100001+



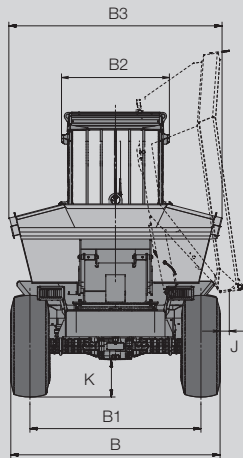
- 1 Full-fledged, heatable ROPS/FOPS Level II-certified safety cab.
- 2 Ample headroom and legroom for the driver, and large windows for optimal all-round visibility.
- 3 Two fully-pivoting doors for safe, comfortable mounting and alighting.
- 4 Servicing access via a seat base that can be removed by releasing just four screws.
- 5 Lockable maintenance access on both sides of the cab dumper.

A dumper's usual field of operations is enormously expanded with a cab dumper, making for more flexible and cost-effective deployment possibilities. The **cabspace** design from Wacker Neuson has been tried-and-tested in countless environments, and greatly enhances the dumper's utility value.

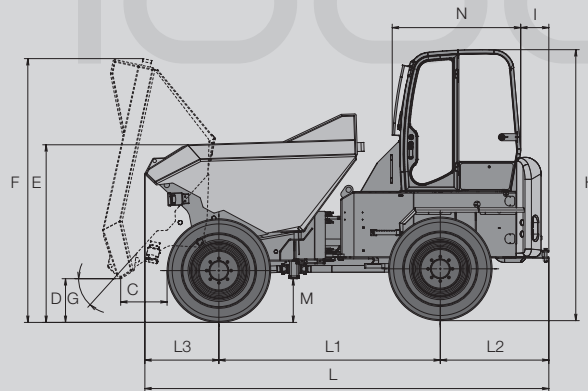
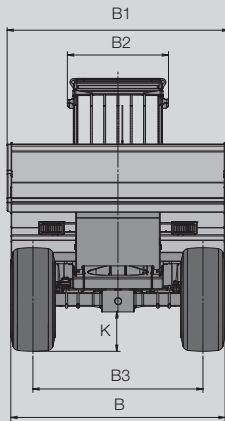
cabspace 

Technical data.





Swivel tipping



Front tipping

DIMENSIONS (Cab) (Cab)	3001 (Cab)	3001s (Cab)	6001 (Cab)	6001s (Cab)	9001	10001+
B	1,785 mm	1,785 mm	2,215 mm	2,215 mm	2,420 mm	2,420 mm
B1	1,860 mm	1,775 mm	1,800 mm	1,800 mm	2,500 mm	2,500 mm
B2	1,142 mm	1,142 mm	1,140 mm	1,490 mm	1,140 mm	1,140 mm
B3	1,490 mm	1,490 mm	2,330 mm	2,250 mm	1,920 mm	1,920 mm
C	577 mm	600 mm	433 mm	420 mm	510 mm	510 mm
D	260 mm	1,020 mm	346 mm	1,070 mm	480 mm	480 mm
E	1,475 mm	1,475 mm	1,771 mm	1,900 mm	2,000 mm	2,040 mm
F	2,220 mm	3,125 mm	2,550 mm	3,670 mm	2,970 mm	2,970 mm
G	-	-	53°	52°	48°	48°
H	2,610 mm	2,610 mm	2,995 mm	2,995 mm	3,070 mm	3,070 mm
I	320 mm	320 mm	320 mm	320 mm	320 mm	320 mm
J	-	245 mm	-	100 mm	-	-
K	280 mm	280 mm	380 mm	380 mm	430 mm	430 mm
L	3,980 mm	4,140 mm	4,470 mm	4,810 mm	4,560 mm	4,560 mm
L1	1,960 mm	1,960 mm	2,485 mm	2,485 mm	2,500 mm	2,500 mm
L2	1,160 mm	1,160 mm	1,225 mm	1,225 mm	1,225 mm	1,225 mm
L3	860 mm	1,020 mm	760 mm	1,100 mm	835 mm	835 mm
M	-	-	-	-	470 mm	470 mm
N	1,350 mm	1,350 mm	1,450 mm	1,450 mm	1,450 mm	1,450 mm

**OPERATIONAL DATA**

	3001/3001s (Cab)	6001/6001s (Cab)	9001 (Cab)	10001+ (Cab)
Payload	3,000 kg	6,000 kg	9,000 kg	10,010 kg
Tare weight	2,410/2,550 kg	4,120/4,240 kg	5,050 kg	5,050 kg
Skip capacity levelled	1,500/1,300 l	2,400/2,400 l	3850 l	4,000 l
Skip capacity heaped	1,850/1,750 l	3,200/3,200 l	4,700 l	4,850 l
Skip capacity Water levelling	1,160/900 l	1,880/1,880 l	2,250 l	2,250 l

**ENGINE**

Make/Type	YANMAR 3TNV88	Deutz TD2011	Deutz TCD 2012 Turbo	Deutz TCD 2012 Turbo
Model	watercooled 3-cylinder diesel engine	watercooled 4-cylinderturbo engine	watercooled 4-cylinder turbo engine	water-cooled 4-cylinder turbo engine
Output (Iso 3046/1)	25.2 kW (34.3 HP)	64.6 kW (87.8 HP)	88 kW (120 HP)	88 kW (120 hp)
Displacement	1,642 cm ³	3,619 cm ³	4,038 cm ³	4,038 cm ³
Operating speed	2,800 min ⁻¹	2,600 min ⁻¹	2,400 min ⁻¹	2,400 min ⁻¹
Exhaust emissions	acc. 97/68/EC, 3A	acc. 97/68/EC, step 3a (EPA Tier 3)	acc. 97/68/EC, 3A	acc. 97/68/EC, 3A

**DRIVE CHARACTERISTICS**

Travel speed				
I	0/-7 km	0/-5 km	0-4.5 km/h	0-4.5 kph
II	0/-22 km	0/-25 km	0-7.0 km/h	0-7.0 kph
III			0-14 kph	0-14 kph
IV			0-27 kph	0-27 kph
Centre-pivot angle	+/- 37°	+/- 33°	+/- 33°	+/- 33°
Oscillation	+/-15°	+/- 13°	+/- 8,5°	+/- 8,5°
External turning radius	4,000 mm	5,200 mm	6,000 mm	6,000 mm
Gradeability	50 %	50 %	50 %	50 %

**DRIVE**

Drive	hydrostatic automotive, drive via PTO gear to axles, electr. drive direction selection		4-speed powershuttle torque converter, all-wheel drive, electr. drive direction selection	
Steering	hydrostatic articulated frame steering		hydrostatic articulated frame steering	
Tyres	11.50/80-15.3; Tractor profile	405/70-20; 14 Ply; Tractor profile	500/60-22,5 Tractor profile	
Service brake	via multi-disc brake in oil bath in front axle, hydraulically operated		Multi-disc brakes on both axles hydraulically operated via footpedal	
Parking brake	via multi-disc brake in oil bath in front axle, mechanically operated		via disc brake on driveshaft for front and rear axles	

**HYDRAULIC SYSTEM**

Drive pump	Axial piston pump	Axial piston pump	Gear pump	Gear pump
Flow rate	126 l/min	184 l/min	55 l/min	55 l/min
Operating pressure	360 bar	450 bar	220 bar	220 bar
Work pump	Gear pump	Gear pump	-	-
Flow rate	45 l/min	57 l/min	-	-
Operating pressure	220 bar	150 bar	-	-

**TANK CAPACITY**

Diesel tank	40 l	70 l	70 l	70 l
Hydraulic oil tank	40 l	70 l	50 l	50 l

**ELECTRICS**

Voltage	12 V	12 V	12 V	12 V
Battery	88 Ah	100 Ah	100 Ah	100 Ah
Alternator	40 A	55 A	95 A	95 A
Starter	1.7 kW	2.3 kW	3 kW	3 kW

**NOISE EMISSIONS**

Noise level (L_w) (as per 2000/14/EC)	101 dB(A)	102 dB(A)	103 dB(A)	103 dB(A)
--	-----------	-----------	-----------	-----------

STANDARD EQUIPMENT 3001 • 6001 • 9001 • 10001+**OPTIONS** 3001 • 6001 • 9001 • 10001+**GENERAL****Hydraulic front-tipping skip****3001** 1,500 l levelled / 1,850 l heaped**6001** 2,400 l levelled / 3,200 l heaped**9001** 3,850 l levelled / 4,700 l heaped**10001+** 4,000 l levelled / 4,850 l heaped**Roll-bar (ROPS)****Speed:****3001** 22 kph with low swing-out height 25 kph**6001** 25 kph**9001** 27 kph**10001+** 27 kph**ENGINE****3001** Yanmar 3TNV88**6001** Deutz TD2011**9001** **10001+** DEUTZ TCD 2012 Turbo**HYDRAULICS****9001** **10001+** 4-speed powershuttle drive,
Torque converter**Hydrodynamic drive**

with multi-disc brakes on both axles

3001 **6001** Hydrostatic drive
via PTO gear to axles**2 driving speeds**

Permanent all-wheel drive

Centre-pivot steering

CAB

CD-radio unit*

Rearview mirror set*

Protective grille for front windscreen*

*Cab options

PAINT**Special paint 1 no RAL**

(for yellow parts only)

Special paint 1 no RAL

(for yellow parts only)

MISCELLANEOUS

Panolin Bio-Oil

BP-Biohyd SE46

Hydraulic swivel-tipping skip**3001** 1,300 l levelled / 1,750 l heaped**6001** 2,400 l levelled / 3,200 l heaped**Security 24 (1,500 h)**Warranty extension to 24 months
or 1,500 operating hours**Security 24 (2,000 h)**Warranty extension to 24 months
or 2,000 operating hours**Light** (On-road accessory)**Wheel chock****Instrument panel guard****Trailer power socket****Dome light****Reversing warning system****Spare wheel****PACKS****Mirror pack**

Left-side/right-side mirrors

Wacker Neuson compact equipment offers power and manoeuvrability on-the-spot: **Any time, any place.**

We consider it a constant duty to ensure that our promise regarding our products and services is fulfilled:

Reliability, Trust, Quality, Reactivity, Flexibility and Innovation.

Compact equipment branded Wacker Neuson also does the business where others can only stand and watch. Our products prove their worth through quality, power, intelligent hydraulics, compact dimensions, innovative technology, high productivity and reliability. It's a set-up that only Wacker Neuson – the specialist in compact equipment – is capable of.

You too can take advantage of this bespoke capability. The Wacker Neuson compact class is in a class of its own. With success stamped right through the line.



**WACKER
NEUSON**