



**Bobcat®**

**442**

Compact Excavators



## 442

### Weights

Operating weight with ROPS cab	7500 kg
Additional weight for steel tracks	250 kg
Additional weight for circular boom	400 kg

### Engine

Make / model	Deutz / TD 2011 L04W (turbo)
Fuel / Cooling	Diesel / Water
Maximum power at 2200 RPM (ISO 9249)	54.0 kW
Maximum torque at 1600 RPM (SAE Net)	270 Nm
Number of cylinders	4
Displacement	3.11 l
Bore / Stroke	94 mm / 112 mm
Alternator	12 V — 55 A — open frame with internal regulator
Starter	12 V — gear reduction type — 2.3 kW

### Controls

Steering	Direction and speed controlled by two pilot-operated hand levers or foot pedals
----------	---

### Hydraulic System

Pump type	One engine-driven piston pump and one engine-driven gear pump
Piston pump capacity	156 l/min
Gear pump capacity	68 l/min
Auxiliary flow	100 l/min
Control valve	Nine-spool

### Performance

Digging force, dipperstick	42600 N
Digging force, bucket	53200 N
Drawbar pull	60500 N
Ground pressure with rubber tracks	30.34 kPa
Travel speed, low range	2.7 km/h
Travel speed, high range	5.2 km/h
(K) Maximum digging depth	4250 mm

### Slew System

Boom swing, left	63°
Boom swing, right	65°
Slew circle	Single row shear-type ball bearings with internal gear
Slew drive	Axial piston motor with spring applied disk brake
Slew rate	10.0 RPM

### Traction

Track width	450 mm
Number of track rollers per side	1 top, 6 bottom
Gradeability	>60°

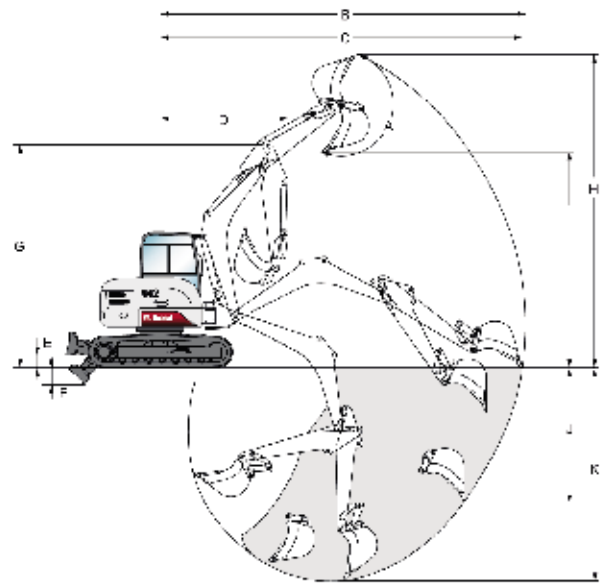
### Brakes

Travel brake	Spring applied, hydraulically released, multi-disk brake
Slew brake	Spring applied, hydraulically released, multi-disk brake

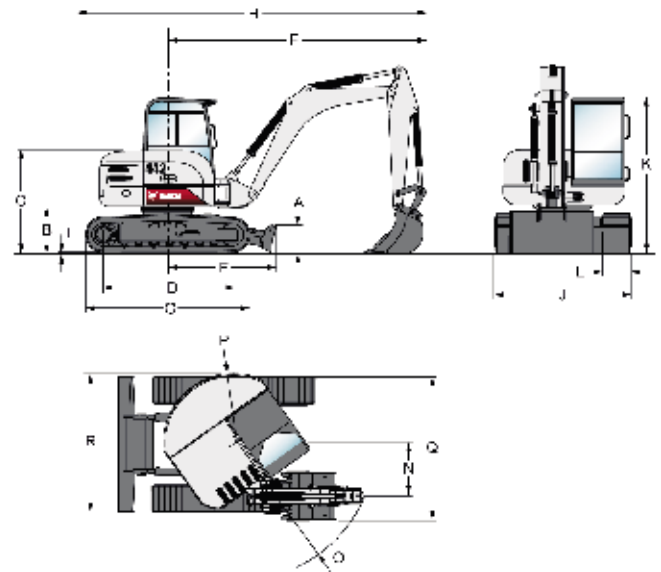
### Fluid Capacities

Engine lubrication plus oil filter	10.0 l
Fuel reservoir	130.0 l
Hydraulic reservoir	110.0 l
Hydraulic system with bucket and dipper cylinder retracted, bucket on the ground, and blade down	140.0 l

### Working Range



### Dimensions



Specifications and design are subject to change without notice - Pictures of Bobcat units may show other than standard equipment.



[www.bobcat.eu](http://www.bobcat.eu)