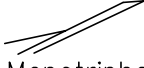




○ MONOTRIPHASE

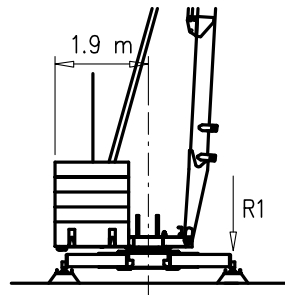
☒ 230/400 V

GRU A MONTAGGIO RAPIDO
 GRUE A MONTAGE RAPIDE
 GRUA DE RAPIDO MONTAJE
 GRUA DE MONTAGEM RAPIDA
 QUICK SELFRECTING CRANE
 HYDRAULISCHER SCHNELLMONTAGEKRAN

Curve di carico – Courbes de charges – Load diagrams – LastKurven – Curvas de cargas

 Monotriphase	☒ 400 V	3	21.5	m						
	☒ 230/400V	500	500	kg						
 Monotriphase	☒ 400 V	3	10.5	12	14	16	18	20	22	m
		1500	1500	1270	1050	890	770	670	600	kg
	☒ 230/400V	3	11.3	12	14	16	18	20	m	
		1500	1500	1400	1160	980	850	750	kg	
 Monotriphase	☒ 400 V	3	11.3	m						
	☒ 230/400V	1500	1500	kg						

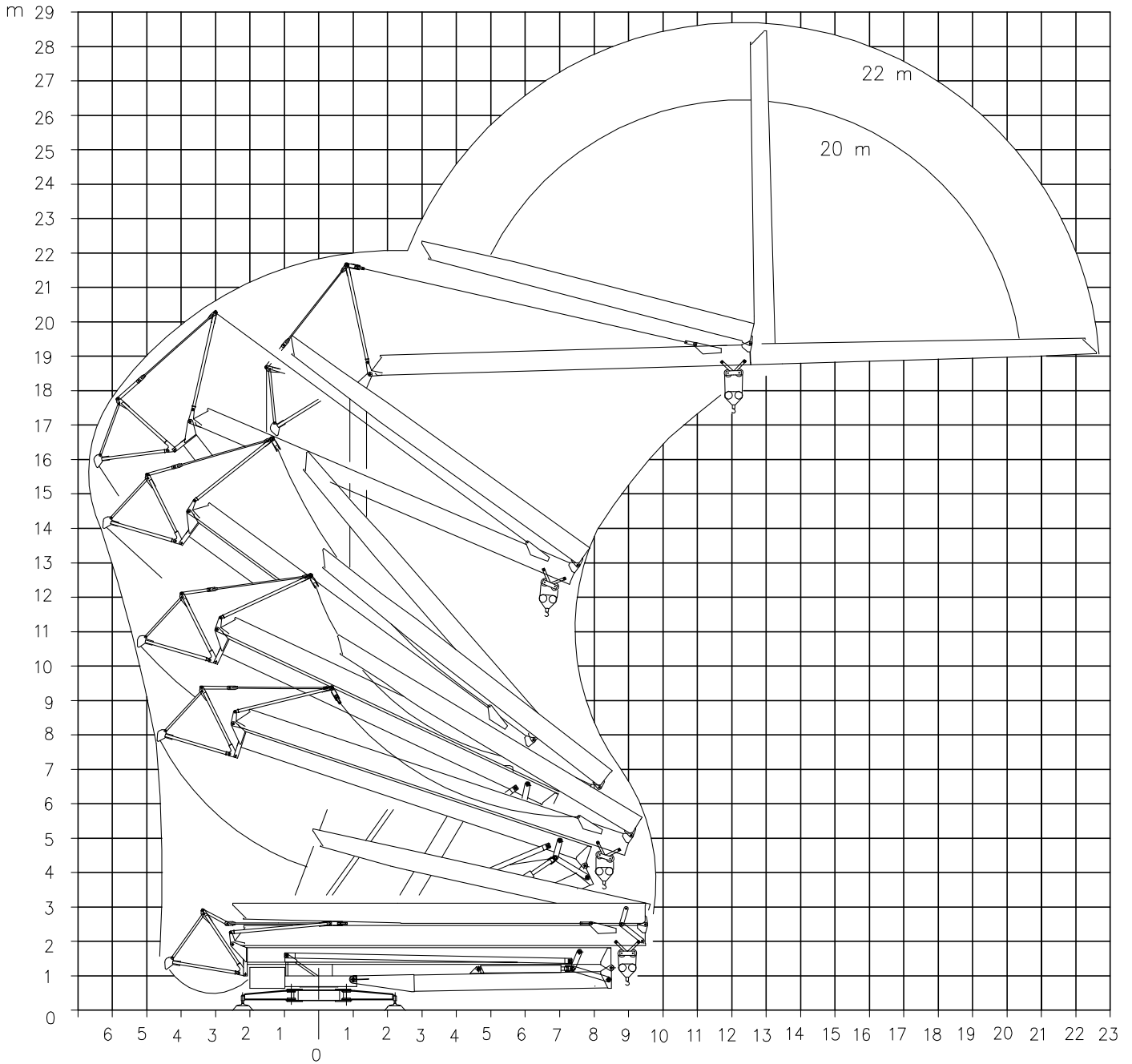
Reazioni – Reactions – Réactions – Eckdrücke – Reacciones – Reacções



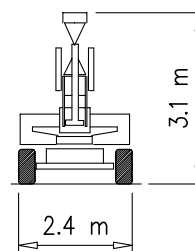
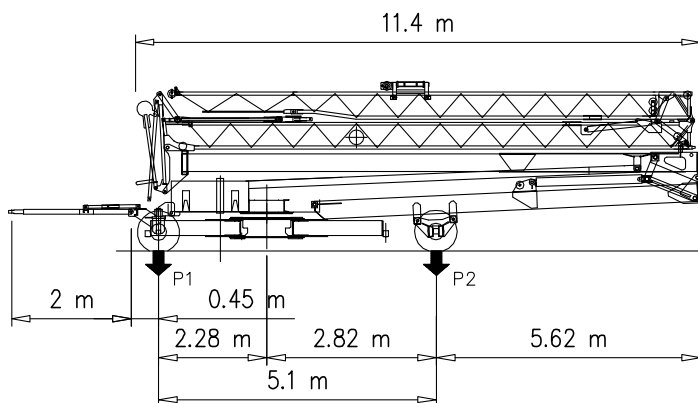
R1 ● 10.5 t ■ 6.9 t
 ▲ 6.8 t ○ 10.6 t

- | | | |
|-------------------------------|---------------------------------------|--------------------------------------|
| ● Reazioni in servizio | ● Reactions in service | ● Réactions en service |
| ■ Reazioni fuori servizio | ■ Reactions out of service | ■ Réactions hors service |
| ▲ Peso della gru senza assali | ▲ Dead weight without transport axles | ▲ Poids de construction sans essieux |
| ○ Peso zavorra rotante | ○ Ballast weight | ○ Poids du lest |
-
- | | | |
|--|--|--|
| ● Reaktionskräfte in betrieb | ● Reacciones en servicio | ● Em serviço |
| ■ Reaktionskräfte außer betrieb | ■ Reacciones fuera de servicio | ■ Fora de serviço |
| ▲ Konstruktionsgewicht ohne transportachse | ▲ Peso de la grua sin tren de transporte | ▲ Peso de grua sem carro de transporte |
| ○ Ballastgewicht | ○ Peso de lastre | ○ Peso de lastre rotativo |

Montaggio – Montage – Erection – Montage – Montaje – Montagem



Trasporto – Transport – Transport – Transport – Transporte



P1	kg	4100
P2	kg	7200
Ptot	kg	11300

Meccanismi – Mechanisms – Mécanismes – Antriebe – Mecanismos – Montagem

V5,5.32 230 Volt Sollevamento Hoisting Levage Heben Elevaciòn Elevaçao							V5,5.32 4 kW (5.5 kW) 2-8 kVA
	m/min	4	11	25			
	t	1.5	1.5	0.75			
		4	16	30			
		1.5	1.5	0.75			

V5,5.32 400 Volt Sollevamento Hoisting Levage Heben Elevaciòn Elevaçao							V5,5.32 4 kW (5.5 kW) 8 kVA
	m/min	4	11	30			
	t	1.5	1.5	0.75			
		4	16	30			
		1.5	1.5	0.75			

Carrello Trolleying Distribution Katzfahren Distribuciòn Distribuiçao			1a	0 —→ 30	m/min	1.85 kW (2.5 Hp)
			1a			
			2a			
Rotazione Slewing Orientation Schwenken Orientaciòn Rotaçao			1a	0 —→ 0.8	giri/min tr/min rp/min	1.1 kW (1.5 Hp)
			2a			
			3a			

Rete elettrica – Réseau – Mains supply – Netzstrom – Red – Rede electrica	230/400V – 50 Hz
---	------------------

Potenza elettrica necessaria – Puissance électrique nécessaire Necessary electric power – Anschlusswert – Potencia electrica necesaria	1/3PH 2-8 kVA
---	---------------

AFM Gru FMgru s.r.l.
via Emilia 11-29010 Pontenure PC ITALY
tel. 0523/510446 ric.aut. fax 0523/510365
www.fmgru.it e-mail: info@fmgru.com

DIN 15018 2000/14/CE



Documento commerciale non contrattuale
Per tutte le informazioni tecniche riferirsi
alle corrispondenti istruzioni

Unverbindliches Vertriebsdokument.
Für technische Informationen, siehe die
entsprechenden Anweisungen.

This commercial document is not legally
binding. For any technical information, please
refer to the corresponding instructions.

Documento comercial no contractual
Para cualquier información técnica,
ver la noticia correspondiente.

Code: 15ICA37B20A0	
Ed.	Rev
1	05.06.03
1	17.03.10