

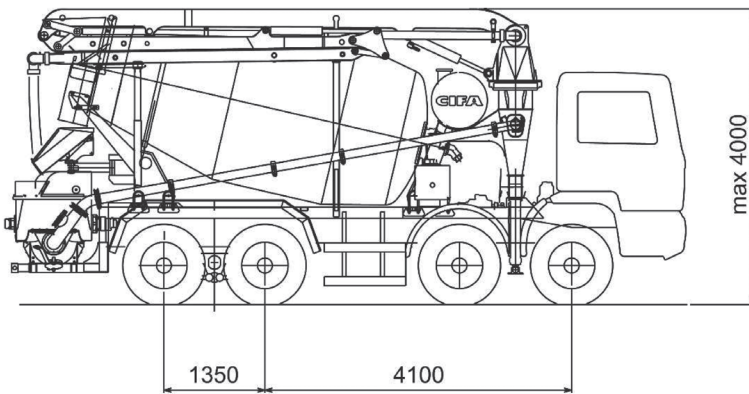
MAGNUM MK 20.4Z

TRUCK-MIXER PUMP "MAGNUM" MK 20.4Z-80 RH

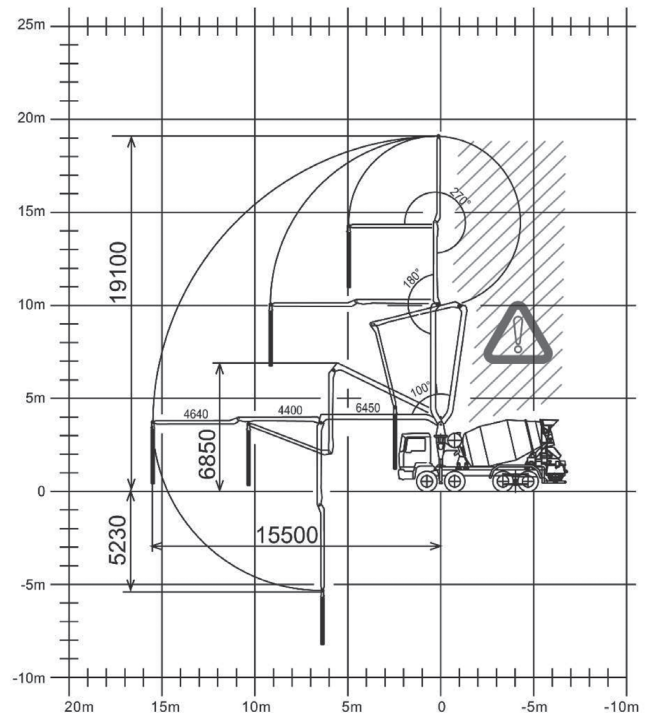
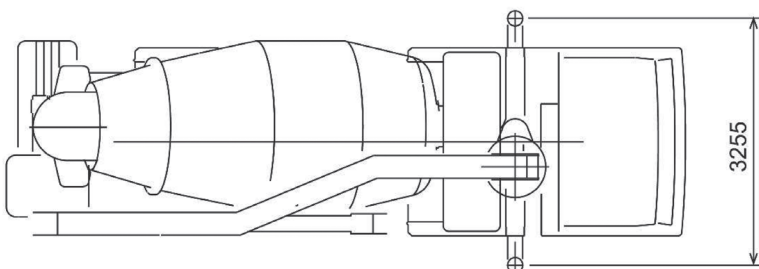
Placing Boom	MK 20.4Z
Pumping Unit	GPT-405
Concrete Mixer	RH 80
Driven by	PTO
Châssis	4 axes



Dimensions



Dimensions varying according to truck assembly



MAGNUM MK 20.4Z

Main features

- Compact and harmonic line, studied for advantageous assembling on 4 axles chassis
- Ideal loads distribution on the axles to obtain better driving stability
- Self-supporting frame - torsion free FEM designed
- Outriggers fully hydraulic controlled on both machine sides
- High loading and mixing capacity drum and elliptic bottom
- Placing boom MK 20.4 Z, 3 sections, pipeline diameter 100 mm, "Z" folding system
- Proportional boom control allowing the operator to control more placing boom sections simultaneously
- The "BFC" Best-Flex Cifa supporting system allowing just one man to change delivery pipeline easily, quick and safety
- Concrete flow rate regulator
- Quiet pumping with high performances: smooth, continuous and easy movements
- Safety device on opening inspection hatch

Standard equipment

- Proportional radio control with two boom movement speed, synthesizer for automatic frequency search, 8 position joy stick and concrete flow rate regulator. 20 mt cable
- Remote controlled vibrator on the concrete hopper grid
- Centralized lubrication system for pumping unit
- Additional manual lubrication system for pumping unit
- Hard plastic outrigger support plates with relevant housing
- Rear light on hopper
- Accessories for cleaning and pipes washing
- Automatic adjustment feeler of truck-mixer discharge into hopper

Optionals

- Continuous rotation of boom
- Cone-shaped discharging chute with end-cone diam. 200 mm
- Further 2 additional section chutes (supplied loose)
- Manual greasing system for rollers and rolling ring
- Automatic centralized greasing system for boom
- Hydraulic pipeline emergency kit
- High Pressure water pump
- "Ekos" device for drum closing

TRUCK-MIXER PUMP "MAGNUM" MK 20.4Z-80 RH

Placing Boom	MK 20.4Z
Pumping Unit	GPT-405
Concrete Mixer	RH 80
Driven by	PTO
Châssis	4 axles

Concrete Mixer Technical data

Model		80
Nominal capacity	m^3	7
Drum geometric volume	m^3	12,8
Filling ratio	%	55
Max. drum speed	$1/min$	14
Water tank capacity	l	600
Water tank capacity/pressure	$l/min - bar$	230/15
Liter-counter scale	l	0-500

Pumping unit technical data

Model		GPT-405
Max. theoretical output	m^3/h	41
Max. pressure on concrete	bar	52
Max. number of cycles per minute	n°	43
Concrete cylinders (diam. x stroke)	mm	176x660
Concrete hopper capacity	l	400

Placing boom technical data

Model		MK 20.4Z
Pipeline diameter	mm	100
Max. vertical reach	m	19,1
Max. horizontal distance	m	15,5
Section numbers		3
1st section opening angle		100°
2nd section opening angle		180°
3rd section opening angle		270°
Rotating angle		370°
End hose length	m	4

Technical data and characteristics subject to modifications without notice