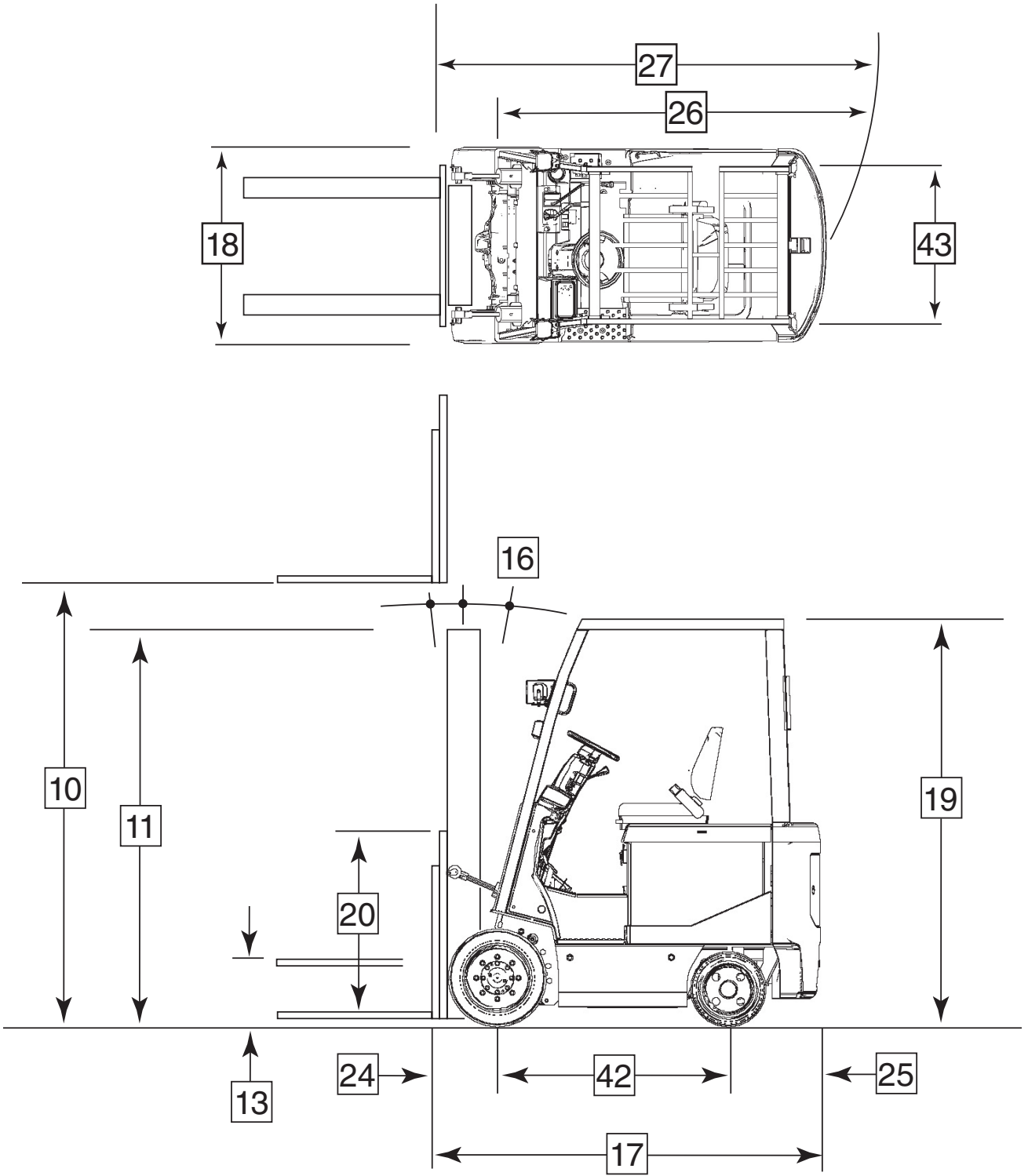


DIMENSIONS



## STANDARD EQUIPMENT

### Vehicle Management

- AC TECH motor controller system
- 3 pre-set performance modes (Economy, Power, High Power)
- 1 Manual (custom) performance mode
- Secure, PIN access to personalized performance settings
- Multi-function LCD:
  - Hour meters (4), clock, calendar
  - Operator PIN security access
  - On-board diagnostics
  - Programmable service reminders
  - Speedometer and F/N/R transmission reminder
  - BDI with lift interrupt
- On-board diagnostics, self-test and error code history
- Flex-logic acceleration control

### Battery/Electrical

- 36/48-Volt, brushless AC drive, motor, lift and steering systems

### Brake

- 5-mode regenerative braking (including controlled rollback)
- Foot-applied parking brake with warning buzzer

### Hydraulic System

- Exclusive single lift/tilt control lever
- Load sensing, on-demand AC controlled hydraulic power steering

### Operator Conveniences

- Full suspension, fold down cloth seat with weight and lumbar adjustment, operator restraint, and anti-cinching retractable seatbelt
- Auto-Power off system
- Infinitely adjustable steering wheel
- Small diameter steering wheel
- Overhead guard mounted headlights
- Five-piece overhead guard

### Protection/security

- Operator Presence System with seat-actuated lift-interrupt system, return to neutral, seatbelt and parking brake warning buzzers
- Audible back-up warning alarm
- Cushioned stability control
- U.L. "ES" rated electrical system

## OPTIONAL EQUIPMENT\*

- Battery compartment rollers<sup>1</sup>
- Exclusive three-stage OptiView mast
- High visibility carriage<sup>2</sup>
- Separate lift and tilt hydraulic control levers
- Auto-fork leveling
- Hydraulic accumulator in the lift system
- Hang-on and integral sideshifters
- Sideshifting fork positioner
- Extra forward tilt
- Quick disconnects
- Freezer package<sup>3</sup>
- Rearview mirrors
- Rear work light
- Rear combination light package (turn, stop, backup)
- Self-adjusting back-up alarm
- Orange seatbelt
- Rear assist grip with horn button
- Steering wheel with spinner knob
- U.L. "EE" rated electrical system
- Strobe light
- Fire extinguisher
- Overhead guard modifications (drive-in racking, extensions, etc.)
- Magnetic convenience tray
- Traction, or smooth, non-marking tires
- Standard, or polished and tapered, forks in a variety of lengths
- Single, or dual, IHR for all available mast types

<sup>1</sup> Battery roller height from floor – 18.8" (480mm)

<sup>2</sup> Available up to 5,000 lbs capacity

<sup>3</sup> Operate down to -31°F (-35°C) in ½ hour intervals

\* Some optional equipment may require extended lead time. Contact your UniCarriers dealer for details.



UniCarriersAmericas.com

SS-BXC 05-2018 Printed in U.S.A.

UniCarriers® is a registered trademark of UniCarriers Corporation. OptiView® is a registered trademark of UniCarriers Americas. UniCarriers Americas Corporation reserves the right to make product changes relating to colors, equipment, specifications or available options without notice. For more information, contact your UniCarriers representative.

# UNICARRIERS®

## □ FORKLIFT □

# BX Series



### Electric Counterbalanced Forklifts

36 & 48 Volt AC-Powered  
3,000 - 8,000 lbs. Capacities | Cushion Tire



S P E C I F I C A T I O N S

### ERGONOMICS & COMFORT

The BX Series offers a variety of operator conveniences for greater productivity including a standard full suspension seat for enhanced shock absorption. The seat has lumbar support adjustment, weight-adjustment and operator restraint armrests. Its non-cinching seat belt provides greater range of movement. Adjustable tilt steering column allows more operator comfort. Compact front cowl offers generous leg and foot room. Low profile dashboard combined with high profile seat position provides excellent fork tip visibility, while still supplying ample headroom. Our exclusive optional OptiView® three-stage mast offers increased forward visibility for enhanced load handling.

Our standard Operator Presence System includes Return-to-Neutral and Auto-Mast Lock, automatically preventing mast lift and tilt operations when the operator leaves the seat. Audible and visual warnings notify operator if seat belt is not engaged, or if parking brake is not applied before exiting truck. Other communications visible through the LCD meter panel include truck's travel speed, battery capacity, hour meter, time, calendar, and selected power setting.

On-demand, AC controlled hydraulic power steering reduces operator effort for easier maneuvering and less fatigue, while a load sensing valve prioritizes hydraulic fluid to truck's steering system when needed. Reduced height brake pedal improves the ease of operation. Foot-actuated parking brake requires less force, while a lock release lever located on the cowl is within easy reach.

Optional secure assist grip is mounted to the rear, right pillar, keeping the operator's hand inside the compartment during reverse travel. Option includes a swivel seat that pivots 15° to left and right. [Reduces headroom by 1" (25mm)]. Automotive-style levers simplify repetitive actions for greater operator focus. Exclusive single hydraulic control lever design combines lift and tilt operations into one fluid motion for greater productivity. Separate control levers available at no charge. Optional auto-tilt leveling system assists operator during mast/fork positioning.

### EFFICIENCY & CONTROL

Compact steering wheel provides clear view of meter panel with visibility to warnings and indicators. A standard controlled rollback feature reduces the truck's descent when the accelerator is released while on a gradient. Maintenance-free cushioned stability control with rubber dampers located between rear axle and body enhance lateral stability under normal driving conditions.

The BX Series may be programmed with Personal Identification Number (PIN) codes to restrict unauthorized truck usage for greater fleet control. Each of the five available PINs provides access to a customized operating profile.

The BX includes three factory-programmed performance settings (Economy, Power, High Power) which can be modified to fit driver preferences, operating restrictions and/or load handling conditions. Economy mode offers extended run time. Power (standard) mode offers mid-range settings. High Power mode is intended for faster acceleration and travel, among the truck's other adjustable settings. Use the Manual mode to personalize up to 12 performance settings. All setting modifications must be made by a trained service technician.

A unique Flex-Logic acceleration control enables the truck to respond according to the speed with which the pedal is depressed, providing the driver with more accurate, precise acceleration. Can be adjusted to suit operating conditions. Maximum travel speed is also adjustable through the meter panel. Both settings can be adjusted by a trained service technician.

### LOWER OPERATING COSTS

The BX Series features a 100% AC-powered motor and controller system, incorporating a single contactor for reduced maintenance. Truck includes AC pump motor to power its lift and steering system, so a separate steering motor is not required. Motor and controller system design greatly reduces or eliminates many serviceable parts (commutators, contactors and brushes), along with related inspection and replacement expenses. Its AC TECH controller includes a built-in-test-equipment module with self-diagnostics and error code history logged by hour meter reading. Multi-function LCD panel includes on-board diagnostics with all troubleshooting completed through the instrument panel, for reduced service time. No additional handset tool is required.

Unique five-piece overhead guard simplifies replacement of individual components if necessary, saving time and money. Two-piece diamond tread floorboard includes access door for visual brake fluid inspections and refills. Hydraulic fluid access for level checks and additions is available under a door on the right side step.

### EFFICIENT PERFORMANCE & GREATER UPTIME

The BX Series' AC motor and controller system features MOS-FET power inverters for DC to three phase AC power conversion. Thermal sensors help protect both motors and controller against overheating. Warning indicator will advise operator if overheating has occurred, followed by reduced travel and lift operations. Data is automatically locked into truck's service history to assist the technician.

Our AC TECH controller provides lower battery consumption and optimum operating efficiencies through regenerative braking, automatic deceleration, and on-demand power steering. Advanced regenerative braking technologies help reclaim energy using five efficient operations (switch-back/plugging, foot applied, neutral braking, controlled rollback and lift stopping), contributing to lower power consumption and longer operating hours. Regeneration also results in reduced heat generation and component wear, for long-term savings.

Adjustable auto-power off feature cuts power to the truck's electrical system if unit sits idle for a programmed period of time.

### RUGGED & DURABLE

The BX Series' rugged, unitized frame design incorporates integral hydraulic tank for enhanced heat dissipation, increased durability, and longer life. Contoured counterweight design enhances maneuverability. Flat face mast design features rolled steel channels, large cross sections, and thick inner rails for greater capacity retention. Side thrust rollers on the fork carriage are easily accessed for simple carriage adjustment.

Quieter, more efficient helical gearing increases durability while reducing noise levels. Service brakes use a standard drum type.

## MAIN TRUCK SPECIFICATIONS

CHARACTERISTICS	1	Manufacturer's Name		UniCarriers		UniCarriers			
	2	Model	Model designation	BXC30N		BXC35N			
	3	Long model code		MCJ1B1L15S		MCJ1B1L18S			
CHARACTERISTICS	4	Rated Load Capacity		lb (kg)	3000 (1350)		3500 (1600)		
	5	Load Center	Distance	in (mm)	24 (600)		24 (600)		
	6	Power Type	Electric	voltage	36v	48v	36v	48v	
	7	Operator Orientation			Sit		Sit		
	DIMENSIONS	8	Tire Type	Front & rear		Cushion		Cushion	
		9	Wheels	Number - front/rear (x=driven)		2x / 2		2x / 2	
		10	Mast	Maximum fork height	in (mm)	130 (3300)		130 (3300)	
11			Mast lowered (OHL)	in (mm)	82.9 (2110)		82.9 (2110)		
12			Mast extended with LBR	in (mm)	179.3 (4555)		179.3 (4555)		
13			Standard freelif	in (mm)	3.9 (100)		3.9 (100)		
14		Forks	Thickness & width	in (mm)	1.5 x 4 (40x100)		1.5 x 4 (40x100)		
15			Length (STD)	in (mm)	42.1 (1070)		42.1 (1070)		
16		Tilt Angle	Standard mast - fwd/back	degree	5 / 10		5 / 10		
17		Overall Dimensions	Length (to face of forks)	in (mm)	80.9 (2055)		81.3 (2060)		
18			Width (standard tires)	in (mm)	38.2 (970)		38.2 (970)		
19			Height - top of OHG	in (mm)	86.2 (2190)		86.2 (2190)		
20			Height - top of standard LBR	in (mm)	48.0 (1220)		48.0 (1220)		
21			Width - standard carriage	in (mm)	32.4 (825)		32.4 (825)		
22		Grade Clearance	Ramp breakover angle	%	26		26		
23			Departure angle	%	36		36		
24		Overhang	Front	in (mm)	15.9 (405)		15.9 (405)		
25			Rear	in (mm)	16.9 (430)		17.1 (435)		
26		Turning Radius	Minimum outside	in (mm)	70.9 (1800)		70.9 (1800)		
27		Min Right Angle Stack	Add load length & clearance	in (mm)	86.8 (2205)		86.8 (2205)		
PERFORMANCE		28	Speeds Maximum	Travel - loaded (36v / 48v)	mph (km/h)	9.0 (14.5)	9.0 (14.5)	9.0 (14.5)	9.0 (14.5)
		29		Travel - unloaded (36v / 48v)	mph (km/h)	10.6 (17.0)	10.6 (17.0)	10.3 (16.5)	10.3 (16.5)
		30		Lift - loaded (36v / 48v)	fpm (mm/sec)	66.0 (335)	85.7 (435)	59.1 (300)	76.8 (390)
		31		Lift - unloaded (36v / 48v)	fpm (mm/sec)	105.3 (535)	126.0 (640)	105.3 (535)	126.0 (640)
		32		Lowering - loaded	fpm (mm/sec)	98.5 (500)		98.5 (500)	
		33		Lowering - unloaded	fpm (mm/sec)	97.5 (495)		97.5 (495)	
		34	Drawbar Pull Maximum	Full load (36v/48v)	lb (N)	2378 (10580)	2708 (12045)	2378 (10580)	2708 (12045)
	35	Gradeability Maximum	Full load (36v/48v)	%	20.8	24.0	18.5	21.5	
	WEIGHT	37	Truck Weight	Empty, min. battery	lb (kg)	6550 (2970)		6945 (3150)	
38		Weight Distribution	Full load front/rear - min. battery	lb (kg)	8305 / 1245 (3770 / 565)		9135 / 1310 (4145 / 595)		
39			No load front/rear - min. battery	lb (kg)	2815 / 3735 (1275 / 1695)		2725 / 4220 (1235 / 1915)		
CHASSIS & WHEELS	40	Tire Size	Front	in	18 x 6 x 12-1/8		18 x 6 x 12-1/8		
	41		Rear	in	14 x 5 x 10		14 x 5 x 10		
	42	Wheelbase		in (mm)	48 (1220)		48 (1220)		
	43	Tread - Center of Tire	Front / rear (standard tires)	in (mm)	32.1 / 32.3 (815 / 820)		32.1 / 32.3 (815 / 820)		
	44	Headroom	SIP to bottom of OHG	in (mm)	36.1 (918)		36.1 (918)		
	45	Counterweight Height		in (mm)	42.3 (1075)		42.3 (1075)		
	46	Step Height		in (mm)	17.3 (440)		17.3 (440)		
	47	Ground Clearance	Under mast	in (mm)	3.0 (75)		3.0 (75)		
	48		Under power unit	in (mm)	2.3 (60)		2.3 (60)		
	49		Under frame, center of wheelbase	in (mm)	3.1 (80)		3.1 (80)		
	50	Service Brake	Type		Hyd / Elec		Hyd / Elec		
	51	Parking Brake	Type		Pedal		Pedal		
52	Steering	On-demand		Hydraulic		Hydraulic			
DRIVE LINE	53	Traction Motor	Type		AC Induction		AC Induction		
	54		Control type		MOS-INV		MOS-INV		
	55		Rating	kW/h	7.0	9.2	7.0	9.2	
	56	Pump Motor	Type		AC Induction		AC Induction		
57		Rating	kW/5min	8.3	11.3	8.3	11.3		
BATTERY	58	Required Battery Size	Minimum - W x L	in (mm)	30.12 x 20.87 (765 x 530)		30.12 x 20.87 (765 x 530)		
	59		Minimum - H	in (mm)	21.37 (540)		21.37 (540)		
	60		Maximum - W x L	in (mm)	35.15 x 26.68 (895 x 680)		35.15 x 26.68 (895 x 680)		
	61		Maximum - H	in (mm)	22.81 (580)		22.81 (580)		
	62		Lead acid (36v / 48v)	Type	18-85-19	24-85-15	18-85-19	24-85-15	
	63		Capacity - Minimum (36v / 48v)	Ah/6h	600	450	600	450	
	64		Capacity - Maximum (36v / 48v)	Ah/6h	900	700	900	700	
	65	Weight	Minimum / Maximum	lb (kg)	1840 / 2535 (835 / 1150)		1840 / 2150 (835/975)		
	66	Lead Length	Position B	in (mm)	18 ( 455 )		18 (455)		
	67	Connector		Type	SB-350 Gray		SB-350 Gray		

## MAIN TRUCK SPECIFICATIONS

1	UniCarriers		UniCarriers		UniCarriers		UniCarriers		UniCarriers	
2	BXC40N		BXC50N		BXC50LN		BXC60N		BXC80N	
3	MCT1B2L20S		MCT1B2L25S		MCTG1B2L25S		MCTG1B2L30S		MCTG1B2L35S	
4	4000 (1800)		5000 (2250)		5000 (2250)		6000 (2700)		8000 (3500)	
5	24 (600)		24 (600)		24 (600)		24 (600)		24 (600)	
6	36v	48v	36v	48v	36v	48v	36v	48v	36v	48v
7	Sit		Sit		Sit		Sit		Sit	
8	Cushion		Cushion		Cushion		Cushion		Cushion	
9	2x / 2		2x / 2		2x / 2		2x / 2		2x / 2	
10	130 (3300)		130 (3300)		130 (3300)		130 (3300)		138 (3500)	
11	83.1 (2115)		83.1 (2115)		83.1 (2115)		83.1 (2115)		93.3 (2370)	
12	179.3 (4555)		179.3 (4555)		179.3 (4555)		179.3 (4555)		187.2 (4755)	
13	4.1 (105)		4.1 (105)		4.1 (105)		7.1 (180)		10.6 (270)	
14	1.5 x 4 (40x100)		1.5 x 4 (40x100)		1.5 x 4 (40x100)		2 x 5 (50x125)		2 x 5 (50x125)	
15	42.1 (1070)		42.1 (1070)		42.1 (1070)		42.1 (1070)		42.1 (1070)	
16	5 / 10		5 / 10		5 / 10		5 / 10		5 / 10	
17	84.8 (2155)		86.2 (2190)		90.7 (2305)		94.1 (2390)		100.2 (2545)	
18	42.1 (1070)		42.1 (1070)		42.1 (1070)		43.3 (1100)		43.3 (1100)	
19	87.4 (2220)		87.4 (2220)		87.4 (2220)		87.4 (2220)		87.4 (2220)	
20	48.0 (1220)		48.0 (1220)		48.0 (1220)		48.0 (1220)		48.0 (1220)	
21	36.2 (920)		36.2 (920)		36.2 (920)		40.2 (1020)		40.2 (1020)	
22	31		31		27		27		23	
23	35		33		31		28		33	
24	16.7 (425)		16.7 (425)		16.7 (425)		17.7 (450)		17.9 (455)	
25	18.5 (470)		19.9 (505)		20.5 (520)		22.8 (580)		19.3 (490)	
26	72.6 (1845)		73.8 (1875)		78.9 (2005)		81.1 (2060)		88.4 (2245)	
27	89.3 (2270)		90.5 (2300)		95.6 (2430)		98.8 (2510)		106.3 (2700)	
28	10.3 (16.5)	10.3 (16.5)	9.3 (15.0)	9.3 (15.0)	9.3 (15.0)	9.3 (15.0)	8.1 (13.0)	8.7 (14.0)	7.1 (11.5)	7.8 (12.5)
29	10.6 (17.0)	10.6 (17.0)	10.6 (17.0)	10.6 (17.0)	10.6 (17.0)	10.6 (17.0)	9.3 (15.0)	9.3 (15.0)	9.0 (14.5)	9.0 (14.5)
30	69.0 (350)	75.8 (385)	63.0 (320)	67.9 (345)	63.0 (320)	67.9 (345)	50.2 (255)	55.1 (280)	43.3 (220)	46.3 (235)
31	108.3 (550)	119.1 (605)	108.3 (550)	119.1 (605)	108.3 (550)	119.1 (605)	92.5 (470)	101.4 (515)	77.8 (395)	84.7 (430)
32	98.5 (500)		98.5 (500)		98.5 (500)		98.5 (500)		98.5 (500)	
33	97.5 (495)		97.5 (495)		97.5 (495)		97.5 (495)		97.5 (495)	
34	3410 (15170)	3482 (15490)	3410 (15170)	3482 (15490)	3410 (15170)	3482 (15490)	3924 (17455)	4007 (17825)	3924 (17455)	4007 (17825)
35	23.5	24.0	20.0	20.5	20.0	20.5	19.5	20.0	16.5	16.5
37	8090 (3670)		8950 (4060)		8820 (4000)		10550 (4785)		12380 (5615)	
38	10515 / 1575 (4770 / 715)		12110 / 1840 (5495 / 835)		12100 / 1720 (5490 / 780)		14345 / 2205 (6505 / 1000)		18000 / 2380 (8165 / 1080)	
39	3230 / 4860 (1465 / 2205)		3000 / 5950 (1360 / 2700)		3295 / 5525 (1495 / 2505)		3660 / 6890 (1660 / 3125)		4675 / 7705 (2120 / 3495)	
40	21 x 7 x 15		21 x 7 x 15		21 x 7 x 15		22 x 8 x 16		22 x 8 x 16	
41	16-1/4 x 6 x 11-1/4		16-1/4 x 6 x 11-1/4		16-1/4 x 6 x 11-1/4		16-1/4 x 6 x 11-1/4		16-1/4 x 6 x 11-1/4	
42	49.6 (1260)		49.6 (1260)		53.5 (1360)		53.5 (1360)		63.0 (1600)	
43	35.0 / 35.0 (890 / 890)		35.0 / 35.0 (890 / 890)		35.0 / 35.0 (890 / 890)		35.2 / 35.0 (895 / 890)		35.2 / 35.0 (895 / 890)	
44	36.1 (918)		36.1 (918)		36.1 (918)		36.1 (918)		36.1 (918)	
45	43.5 (1105)		43.5 (1105)		43.5 (1105)		43.5 (1105)		43.5 (1105)	
46	18.5 (470)		18.5 (470)		18.5 (470)		18.5 (470)		18.5 (470)	
47	3.1 (80)		3.1 (80)		3.1 (80)		3.1 (80)		3.1 (80)	
48	3.9 (100)		3.9 (100)		3.9 (100)		3.7 (95)		3.7 (95)	
49	3.7 (95)		3.7 (95)		3.7 (95)		3.5 (90)		3.5 (90)	
50	Hyd / Elec		Hyd / Elec		Hyd / Elec		Hyd / Elec		Hyd / Elec	
51	Pedal		Pedal		Pedal		Pedal		Pedal	
52	Hydraulic		Hydraulic		Hydraulic		Hydraulic		Hydraulic	
53	AC Induction		AC Induction		AC Induction		AC Induction		AC Induction	
54	MOS-INV		MOS-INV		MOS-INV		MOS-INV		MOS-INV	
55	9.0	12.0	9.0	12.0	9.0	12.0	9.0	12.0	9.0	12.0
56	AC Induction		AC Induction		AC Induction		AC Induction		AC Induction	
57	12.8	13.7	12.8	13.7	12.8	13.7	12.8	13.7	12.8	13.7
58	37.62 x 22.06 (955 x 560)		37.62 x 22.06 (955 x 560)		37.62 x 28.56 (955 x 725)		37.62 x 28.56 (955 x 725)		37.62 x 28.56 (955 x 725)	
59	21.37 (540)		21.37 (540)		21.37 (540)		21.37 (540)		21.37 (540)	
60	39.06 x 28.25 (990 x 715)		39.06 x 28.25 (990 x 715)		39.06 x 34.12 (990 x 715)		39.06 x 34.12 (990 x 865)		39.06 x 34.12 (990 x 865)	
61	22.81 (575)		22.81 (575)		22.81 (575)		22.81 (575)		22.81 (575)	
62	18-95-23	24-95-17	18-95-23	24-95-17	18-95-29	24-95-21	18-95-29	24-95-21	18-95-29	24-95-21
63	825	600	825	600	1050	750	1050	750	1200	1000
64	1100	800	1100	800	1400	1000	1400	1000	1400	1200
65	2491 / 3064 (1130 / 1390)		2491 / 3064 (1130 / 1390)		3075 / 3527 (1395 / 1600)		3075 / 3527 (1395 / 1600)		3351 / 3527 (1520 / 1600)	
66	18 (455)		18 (455)		18 (455)		18 (455)		18 (455)	
67	SB-350 Gray		SB-350 Gray		SB-350 Gray		SB-350 Gray		SB-350 Gray	

## MAST SPECIFICATIONS & RATED CAPACITIES

Mast Name		Maximum Fork Height	Overall Height Fully Extended		Freelift		Overall Height Lowered	Tilt Angle Forward/Backward	Rated Capacity at 24 in (600mm) Load Center	
			Without LBR	With LBR	Without LBR	With LBR			BXC30N	BXC35N
			in (mm)	in (mm)	in (mm)	in (mm)				
TWO STAGE (Wide view 2W)	2W270	106 (2700)	130.3 (3310)	155.7 (3955)	3.9 (95)	3.9 (95)	71.1 (1810)	5/10	3000 (1350)	3500 (1600)
	2W300	118 (3000)	142.1 (3610)	167.5 (4255)	3.9 (95)	3.9 (95)	77.0 (1960)	5/10	3000 (1350)	3500 (1600)
	2W330	130 (3300)	153.9 (3910)	179.3 (4555)	3.9 (95)	3.9 (95)	82.9 (2110)	5/10	3000 (1350)	3500 (1600)
	2W350	138 (3500)	161.8 (4110)	187.2 (4755)	3.9 (95)	3.9 (95)	88.2 (2240)	5/10	3000 (1350)	3500 (1600)
	2W370	146 (3700)	169.7 (4310)	195.1 (4955)	3.9 (95)	3.9 (95)	93.1 (2365)	5/10	3000 (1350)	3500 (1600)
	2W400	157 (4000)	181.5 (4610)	206.9 (5255)	3.9 (95)	3.9 (95)	100.6 (2555)	5/10	3000 (1350)	3200 (1450)
	2W450	177 (4500)	201.2 (5110)	226.6 (5755)	3.9 (95)	3.9 (95)	110.4 (2805)	5/5	2850 (1300)	3000 (1350)
TWO STAGE (Full free 2F)	2F300	118 (3000)	143.7 (3650)	167.5 (4255)	53.0 (1345)	29.1 (740)	77.0 (1960)	5/10	3000 (1350)	3500 (1600)
	2F330	130 (3300)	155.5 (3950)	179.3 (4555)	58.9 (1495)	35.0 (890)	82.9 (2110)	5/10	3000 (1350)	3500 (1600)
	2F350	138 (3500)	163.4 (4150)	187.2 (4755)	64.2 (1630)	40.4 (1025)	88.2 (2240)	5/10	3000 (1350)	3500 (1600)
	2F370	146 (3700)	171.3 (4350)	195.1 (4955)	69.1 (1755)	45.3 (1150)	93.1 (2365)	5/10	3000 (1350)	3500 (1600)
	2F400	157 (4000)	183.1 (4650)	206.9 (5255)	76.6 (1945)	52.8 (1340)	100.6 (2555)	5/10	3000 (1350)	3200 (1450)
THREE STAGE (Full free 3F)	3F385	152 (3850)	175.8 (4465)	201.0 (5105)	48.4 (1225)	23.2 (590)	71.1 (1810)	5/5	3000 (1350)	3500 (1600)
	3F430	169 (4300)	193.5 (4915)	218.7 (5555)	54.3 (1375)	29.1 (740)	77.0 (1960)	5/5	2800 (1250)	3300 (1500)
	3F475	187 (4750)	211.2 (5365)	236.4 (6005)	60.2 (1525)	35.0 (890)	82.9 (2110)	5/5	2600 (1200)	2700 (1200)
	3F515	203 (5150)	227.2 (5770)	252.4 (6410)	65.6 (1665)	40.4 (1025)	88.2 (2240)	5/5	2400 (1100)	2500 (1150)
	3F550	217 (5500)	240.7 (6115)	265.9 (6755)	70.5 (1790)	45.3 (1150)	93.1 (2365)	5/5	2200 (1000)	2300 (1050)
	3F600	236 (6000)	260.4 (6615)	285.6 (7255)	78.0 (1980)	52.8 (1340)	100.6 (2555)	5/5	1700 (750)	1800 (800)
THREE STAGE OPTIVIEW® (3V)	3V360	142 (3600)	165.2 (4195)	191.1 (4855)	49.2 (1250)	23.2 (590)	71.1 (1810)	5/5	2850 (1300)	3350 (1500)
	3V405	159 (4050)	182.9 (4645)	208.9 (5305)	55.1 (1400)	29.1 (740)	77.0 (1960)	5/5	2750 (1250)	3200 (1450)
	3V450	177 (4500)	200.6 (5095)	226.6 (5755)	61.0 (1545)	35.0 (890)	82.9 (2110)	5/5	2650 (1200)	2900 (1300)
	3V490	193 (4900)	216.3 (5495)	242.3 (6155)	66.3 (1680)	40.4 (1025)	88.2 (2240)	5/5	2500 (1150)	2650 (1200)
	3V525	207 (5250)	230.1 (5845)	256.1 (6505)	71.3 (1810)	45.3 (1150)	93.1 (2365)	5/5	2350 (1050)	2450 (1100)
	3V575	226 (5750)	249.8 (6345)	275.8 (7005)	78.7 (1995)	52.8 (1340)	100.6 (2555)	5/5	1950 (900)	2050 (950)

Mast Name		Maximum Fork Height	Overall Height Fully Extended		Freelift		Overall Height Lowered	Tilt Angle Forward/Backward	Rated Capacity at 24 in (600mm) Load Center	
			Without LBR	With LBR	Without LBR	With LBR			BXC40N	BXC50(L)N
			in (mm)	in (mm)	in (mm)	in (mm)				
TWO STAGE (Wide view 2W)	2W270	106 (2700)	130.1 (3305)	155.7 (3955)	4.1 (100)	4.1 (100)	71.3 (1815)	5/10	4000 (1800)	5000 (2250)
	2W300	118 (3000)	141.9 (3605)	167.5 (4255)	4.1 (100)	4.1 (100)	77.2 (1965)	5/10	4000 (1800)	5000 (2250)
	2W330	130 (3300)	153.7 (3905)	179.3 (4555)	4.1 (100)	4.1 (100)	83.1 (2115)	5/10	4000 (1800)	5000 (2250)
	2W350	138 (3500)	161.6 (4105)	187.2 (4755)	4.1 (100)	4.1 (100)	88.4 (2245)	5/10	4000 (1800)	5000 (2250)
	2W370	146 (3700)	169.5 (4305)	195.1 (4955)	4.1 (100)	4.1 (100)	93.3 (2370)	5/10	4000 (1800)	5000 (2250)
	2W400	157 (4000)	181.3 (4605)	206.9 (5255)	4.1 (100)	4.1 (100)	100.8 (2560)	5/10	4000 (1800)	5000 (2250)
	2W450	177 (4500)	201.0 (5105)	226.6 (5755)	4.1 (100)	4.1 (100)	110.6 (2810)	5/5	3800 (1700)	4850 (2200)
TWO STAGE (Full free 2F)	2F300	118 (3000)	143.5 (3645)	167.5 (4255)	53.3 (1355)	53.3 (1355)	77.2 (1965)	5/10	4000 (1800)	5000 (2250)
	2F330	130 (3300)	155.3 (3945)	179.3 (4555)	59.3 (1505)	59.3 (1505)	83.1 (2115)	5/10	4000 (1800)	5000 (2250)
	2F350	138 (3500)	163.2 (4145)	187.2 (4755)	64.6 (1640)	64.6 (1640)	88.4 (2245)	5/10	4000 (1800)	5000 (2250)
	2F370	146 (3700)	171.1 (4345)	195.1 (4955)	69.5 (1765)	69.5 (1765)	93.3 (2370)	5/10	4000 (1800)	5000 (2250)
	2F400	157 (4000)	182.9 (4645)	206.9 (5255)	77.0 (1955)	77.0 (1955)	100.8 (2560)	5/10	4000 (1800)	5000 (2250)
THREE STAGE (Full free 3F)	3F385	152 (3850)	176.0 (4470)	201.0 (5105)	48.4 (1230)	48.4 (1230)	71.3 (1815)	5/5	4000 (1800)	5000 (2250)
	3F430	169 (4300)	193.7 (4920)	218.7 (5555)	54.3 (1380)	54.3 (1380)	77.2 (1965)	5/5	3900 (1750)	4850 (2200)
	3F475	187 (4750)	211.4 (5370)	236.4 (6005)	60.2 (1530)	60.2 (1530)	83.1 (2115)	5/5	3700 (1700)	4700 (2150)
	3F515	203 (5150)	227.4 (5775)	252.4 (6410)	65.6 (1665)	65.6 (1665)	88.4 (2245)	5/5	3300 (1500)	4250 (1950)
	3F550	217 (5500)	240.9 (6120)	265.9 (6755)	70.5 (1790)	70.5 (1790)	93.3 (2370)	5/5	3100 (1400)	3700 (1700)
	3F600	236 (6000)	260.6 (6620)	285.6 (7255)	78.0 (1980)	78.0 (1980)	100.8 (2560)	5/5	2300 (1050)	2900 (1300)
THREE STAGE OPTIVIEW® (3V)	3V360	142 (3600)	165.2 (4195)	191.1 (4855)	49.4 (1255)	49.4 (1255)	71.3 (1815)	5/5	3950 (1750)	4900 (2250)
	3V405	159 (4050)	182.9 (4645)	208.9 (5305)	55.3 (1405)	55.3 (1405)	77.2 (1965)	5/5	3800 (1700)	4750 (2150)
	3V450	177 (4500)	200.6 (5095)	226.6 (5755)	61.2 (1555)	61.2 (1555)	83.1 (2115)	5/5	3650 (1650)	4550 (2100)
	3V490	193 (4900)	216.3 (5495)	242.3 (6155)	66.5 (1690)	66.5 (1690)	88.4 (2245)	5/5	3500 (1600)	4500 (2050)
	3V525	207 (5250)	230.1 (5845)	256.1 (6505)	71.5 (1815)	71.5 (1815)	93.3 (2370)	5/5	3250 (1500)	4100 (1850)
	3V575	226 (5750)	249.8 (6345)	275.8 (7005)	78.9 (2005)	78.9 (2005)	100.8 (2560)	5/5	2700 (1200)	3050 (1400)

## MAST SPECIFICATIONS & RATED CAPACITIES

Mast Name		Maximum Fork Height in (mm)	Overall Height Fully Extended		Freelift		Overall Height Lowered in (mm)	Tilt Angle Forward/Backward degrees	Rated Capacity at 24 in (600mm) Load Center
			Without LBR	With LBR	Without LBR	With LBR			BXC60N
			in (mm)	in (mm)	in (mm)	in (mm)			lb (kg)
TWO STAGE (Wide view 2W)	2H270	106 (2700)	132.5 (3365)	155.7 (3955)	7.1 (180)	7.1 (180)	71.3 (1815)	5/10	6000 (2700)
	2H300	118 (3000)	144.3 (3665)	167.5 (4255)	7.1 (180)	7.1 (180)	77.2 (1965)	5/10	6000 (2700)
	2H330	130 (3300)	156.1 (3965)	179.3 (4555)	7.1 (180)	7.1 (180)	83.1 (2115)	5/10	6000 (2700)
	2H350	138 (3500)	164.0 (4165)	187.2 (4755)	7.1 (180)	7.1 (180)	88.4 (2245)	5/10	6000 (2700)
	2H370	146 (3700)	171.9 (4365)	195.1 (4955)	10.6 (265)	10.6 (265)	93.3 (2370)	5/10	6000 (2700)
	2H400	157 (4000)	183.7 (4665)	206.9 (5255)	10.6 (265)	10.6 (265)	100.8 (2560)	5/10	6000 (2700)
	2H450	177 (4500)	203.3 (5165)	226.6 (5755)	10.6 (265)	10.6 (265)	110.6 (2810)	5/5	5750 (2600)
2H500	197 (5000)	223.0 (5665)	246.3 (6255)	10.6 (265)	10.6 (265)	120.5 (3065)	5/5	5500 (2500)	
TWO STAGE (Full free 2F)	2F300	118 (3000)	144.3 (3665)	167.5 (4255)	53.0 (1345)	29.7 (755)	77.2 (1965)	5/10	6000 (2700)
	2F330	130 (3300)	156.1 (3965)	179.3 (4555)	58.9 (1495)	35.6 (905)	83.1 (2115)	5/10	6000 (2700)
	2F350	138 (3500)	164.0 (4165)	187.2 (4755)	64.2 (1630)	40.9 (1040)	88.4 (2245)	5/10	6000 (2700)
	2F370	146 (3700)	171.9 (4365)	195.1 (4955)	69.1 (1755)	45.9 (1165)	93.3 (2370)	5/10	6000 (2700)
	2F400	157 (4000)	183.7 (4665)	206.9 (5255)	76.6 (1945)	53.3 (1355)	100.8 (2560)	5/10	6000 (2700)
THREE STAGE (Full free 3F)	3F385	152 (3850)	177.8 (4515)	201.0 (5105)	53.0 (1345)	29.7 (755)	77.2 (1965)	5/5	6000 (2700)
	3F430	169 (4300)	195.5 (4965)	218.7 (5555)	58.9 (1495)	35.6 (905)	83.1 (2115)	5/5	5700 (2600)
	3F475	187 (4750)	213.2 (5415)	236.4 (6005)	64.2 (1630)	40.9 (1040)	88.4 (2245)	5/5	5550 (2500)
	3F515	203 (5150)	229.1 (5820)	252.4 (6410)	69.1 (1755)	45.9 (1165)	93.3 (2370)	5/5	5200 (2350)
	3F550	217 (5500)	242.7 (6165)	265.9 (6755)	76.6 (1945)	53.3 (1355)	100.8 (2560)	5/5	4850 (2200)
	3F600	236 (6000)	262.4 (6665)	285.6 (7255)	86.4 (2195)	63.2 (1605)	110.6 (2810)	5/5	3300 (1500)
THREE STAGE OPTVIEW® (3V)	3V385	152 (3850)	177.8 (4515)	201.0 (5105)	53.0 (1345)	29.7 (755)	77.2 (1965)	5/5	5650 (2550)
	3V430	169 (4300)	195.5 (4965)	218.7 (5555)	58.9 (1495)	35.6 (905)	83.1 (2115)	5/5	5450 (2450)
	3V470	185 (4700)	211.2 (5365)	234.4 (5955)	64.2 (1630)	40.9 (1040)	88.4 (2245)	5/5	5300 (2400)
	3V505	199 (5050)	225.0 (5715)	248.2 (6305)	69.1 (1755)	45.9 (1165)	93.3 (2370)	5/5	5000 (2250)
	3V555	219 (5550)	244.7 (6215)	267.9 (6805)	76.6 (1945)	53.3 (1355)	100.8 (2560)	5/5	4500 (2050)

Mast Name		Maximum Fork Height in (mm)	Overall Height Fully Extended		Freelift		Overall Height Lowered in (mm)	Tilt Angle Forward/Backward degrees	Rated Capacity at 24 in (600mm) Load Center
			Without LBR	With LBR	Without LBR	With LBR			BXC80N
			in (mm)	in (mm)	in (mm)	in (mm)			lb (kg)
TWO STAGE (Wide view 2W)	2H280	110 (2800)	138.4 (3515)	159.6 (4055)	7.1 (180)	7.1 (180)	77.2 (1965)	5/10	8000 (3500)
	2H310	122 (3100)	150.2 (3815)	171.5 (4355)	7.1 (180)	7.1 (180)	83.1 (2115)	5/10	8000 (3500)
	2H350	138 (3500)	165.9 (4215)	187.2 (4755)	10.6 (265)	10.6 (265)	93.3 (2370)	5/10	8000 (3500)
	2H380	150 (3800)	177.8 (4515)	199.0 (5055)	10.6 (265)	10.6 (265)	100.8 (2560)	5/10	8000 (3500)
	2H430	169 (4300)	197.4 (5015)	218.7 (5555)	10.6 (265)	10.6 (265)	110.6 (2810)	5/10	8000 (3500)
TWO STAGE (Full free 2F)	2F280	110 (2800)	138.4 (3515)	159.6 (4055)	51.0 (1295)	29.7 (755)	77.2 (1965)	5/10	8000 (3500)
	2F310	122 (3100)	150.2 (3815)	171.5 (4355)	56.9 (1445)	35.6 (905)	83.1 (2115)	5/10	8000 (3500)
	2F350	138 (3500)	165.9 (4215)	187.2 (4755)	67.1 (1700)	45.9 (1165)	93.3 (2370)	5/10	8000 (3500)
	2F380	150 (3800)	177.8 (4515)	199.0 (5055)	74.6 (1895)	53.3 (1355)	100.8 (2560)	5/10	8000 (3500)
THREE STAGE (Full free 3F)	3F400	157 (4000)	185.6 (4715)	206.9 (5255)	51.0 (1295)	29.7 (755)	77.2 (1965)	5/5	8000 (3500)
	3F445	175 (4450)	203.3 (5165)	224.6 (5705)	56.9 (1445)	35.6 (905)	83.1 (2115)	5/5	7700 (3450)
	3F485	191 (4850)	219.3 (5570)	240.6 (6110)	62.2 (1580)	40.9 (1040)	88.4 (2245)	5/5	7550 (3400)
	3F520	205 (5200)	232.9 (5915)	254.1 (6455)	67.1 (1700)	45.9 (1165)	93.3 (2370)	5/5	7200 (3250)
	3F570	224 (5700)	252.6 (6415)	273.8 (6955)	74.6 (1895)	53.3 (1355)	100.8 (2560)	5/5	6850 (3100)
THREE STAGE OPTVIEW® (3V)	3V385	152 (3850)	178.5 (4535)	201.0 (5105)	52.2 (1325)	29.7 (755)	77.2 (1965)	5/5	7650 (3450)
	3V430	169 (4300)	196.3 (4985)	218.7 (5555)	58.1 (1475)	35.6 (905)	83.1 (2115)	5/5	7450 (3350)
	3V470	185 (4700)	212.0 (5385)	234.4 (5955)	63.4 (1610)	40.9 (1040)	88.4 (2245)	5/5	7300 (3300)
	3V505	199 (5050)	225.8 (5735)	248.2 (6305)	68.3 (1735)	45.9 (1165)	93.3 (2370)	5/5	7000 (3150)
	3V555	219 (5550)	245.5 (6235)	267.9 (6805)	75.8 (1925)	53.3 (1355)	100.8 (2560)	5/5	6500 (2950)