

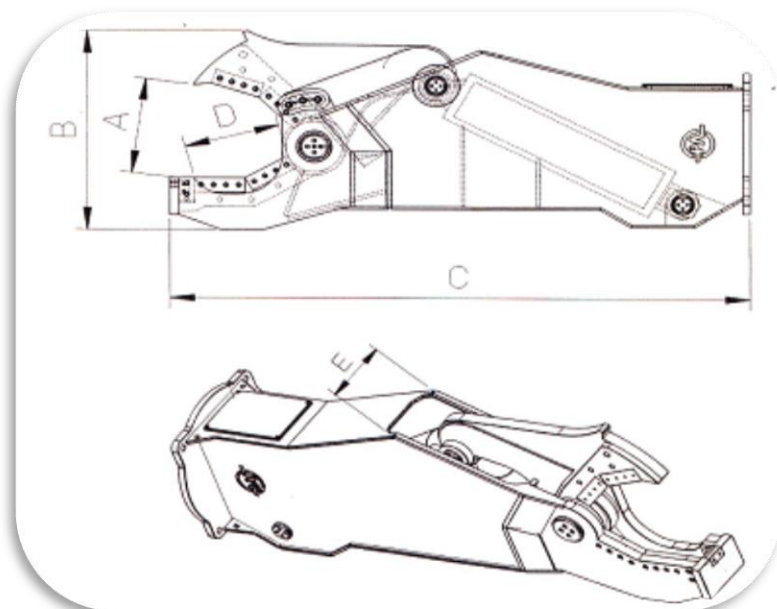


Verdelli International Srl

EQUIPMENT AND SPARE PARTS
LIFTING, PILING, EARTHMOVING MACHINERY
DEMOLITION TOOLS

VERTICAL DEMOLITION SHEAR

MODEL	OIL PRESSURE	EXCAVATOR WEIGHT	OIL FLOW	CRUSHING POWER (t)		WEIGHT	DIMENSIONS (mm)				
	BAR			t	L		TIP	SHEARS	kg	A	B
C.D.I.V. 10	320	12-15	160	60	120	1100	330	780	2000	340	350
C.D.I.V. 15	320	17-20	200	80	150	1600	360	900	2500	420	380
C.D.I.V. 23	320	22-25	230	120	200	2500	500	1200	3000	450	400
C.D.I.V. 30	320	27-33	300	130	220	4000	600	1300	3600	500	440
C.D.I.V. 40	320	36-50	300	160	300	6000	870	1600	4000	600	500
C.D.I.V. 70	320	75	350	180	350	7500	930	1900	4600	1000	5500
C.D.I.V. 120	320	120	400	280	490	12600	1100	2150	5200	1100	650





Verdelli International Srl

EQUIPMENT AND SPARE PARTS
LIFTING, PILING, EARTHMOVING MACHINERY
DEMOLITION TOOLS

HORIZONTAL DEMOLITION SHEAR

MODEL	OIL PRESS.	EXCAVATOR WEIGHT	OIL FLOW	WEIGHT	DIMENSIONS (mm)					
	BAR	t	L	kg	A	B	C	D	E	F
C.D.I.S. 2	250	1.6-1.8	30	230	100	300	500	600	600	140
C.D.I.S. 3	250	5-6.5	50	350	180	380	765	765	730	200
C.D.I.S. 5	250	6.5-8.5	80	500	220	500	900	1050	1050	280
C.D.I.S. 10	320	12.5-13.5	120	1000	300	750	1250	1400	1350	340
C.D.I.S. 15	320	17-20	200	1600	400	900	1400	1500	1450	400
C.D.I.S. 23	320	22-25	230	2500	500	1050	1760	1800	1700	420
C.D.I.S. 30	320	27-33	300	4000	600	1300	2150	2300	2200	560
C.D.I.S. 40	320	36-44	350	6000	700	1450	2250	2550	2400	600

