



CR462S STEEL TRACK ASPHALT PAVER



CR462S STEEL TRACK ASPHALT PAVER

Features:

- 10 ft (3.0 m) commercial and mainline paver
- Replaceable polyurethane pads
- Turbocharged 220 hp Tier 3 diesel engine
- Power-tilt hood with integral radiator
- Up to 28 ft (8.5 m) paving widths
- Patented Frame Raise System
- Patented Three-Point Suspension
- Fume-recovery system mitigates fumes

CR462S Steel Track Paver

Tractor

- All-welded mainframe construction
- Crawler-mounted Three-Point suspension
- Oscillating track rollers
- Self-cleaning, replaceable, 18 in (457 mm) wide steel track with polyurethane pads
- B2-size track rail with D3 rollers
- Independent hydrostatic drive for each track
- Adjustable spreading auger height via frame raise
- Oscillating push rollers or truck hitch
- Power tilt hood with integral radiator
- Fume-recovery system mitigates fumes
- Adjustable material retaining plates
- Operator's umbrella

Screed

- Screed assist (Stretch 20[®])
- One-piece hardened steel screed plate
- Hydraulically adjustable screed vibrators
- Electric heat or oil heaters
- Manual and hydraulic power mat depth control
- Hydraulic power crown control
- Power match height adjustment (Stretch 20 and VersaScreed[®] 210)
- Vertically adjustable screed end gates
- Hydraulic screed lift with mechanical screed lock

Feed System

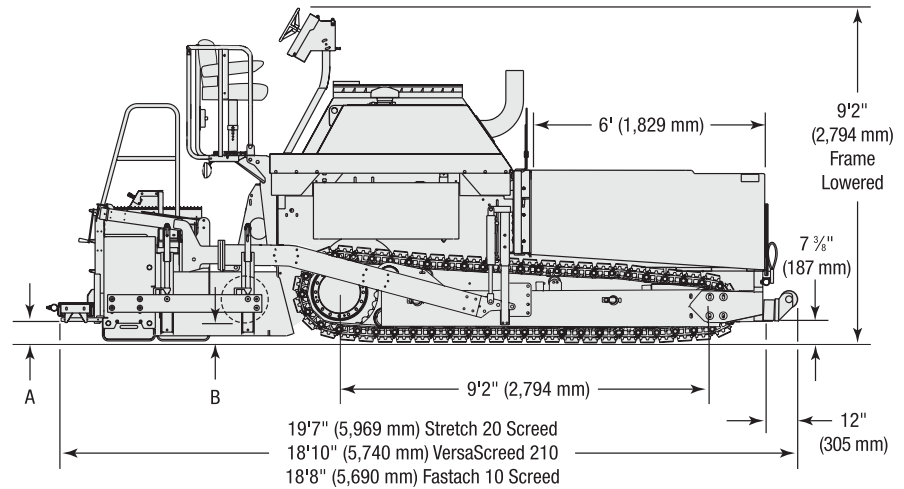
- Reinforced, sealed, tilting hopper wings with beveled corners
- Dual power-adjustable feed gates
- Reversible slat conveyor bars
- 3.075 in (78 mm)-pitch offset-link roller slat chain with hardened 8-tooth slat drive sprockets
- Conveyor bearings outside of tunnel for long life
- Long-wearing #140 chain for slat and auger drive
- Independently controlled right and left feed systems
- System interlocks stop feed when paver stops

Controls

- Operator swing console with spring-loaded center lock and variable-position cam lock
- Full instrumentation gauges
- Electric-over-hydraulic propel control steering wheel with dial-in working speed
- Lockout/tagout capable E-stop and master electrical switch

Hydraulic System

- Engine-mounted, enclosed, Poly Chain[®] belt pump drive
- Variable-displacement pumps for tractor drives, right and left feed systems and auxiliary circuits
- Fixed-displacement pump for vibrator circuit with flow control valve for frequency adjustment
- Centralized filter locations
- Remote control solenoids with function-check LED



	A	B
Frame Raised	13 1/4 in (336 mm)	9 in (228 mm)
Frame Lowered	7 3/4 in (197 mm)	3 3/4 in (95 mm)

Paver

Paver width	10 ft 4 in (3.15 m)
Paving width (std)	10 ft (3.05 m)
Paving width (max)	28 ft (8.5 m)
Paving depth (max)	12 in (305 mm)
Paving speed (max)	135 ft/min (41 m/min)
Travel speed (max)	4.7 mph (7.5 km/hr)
Brakes	multiple disc parking

Weight*

Tractor	33,585 lbs (15,234 kg)
with Stretch 20	41,225 lbs (18,700 kg)
with VersaScreed 210	39,585 lbs (17,956 kg)
with Fastach 10	37,325 lbs (16,931 kg)

*Weights are based on average shipping weights.

Engine

Make/Model	Cummins QSB6.7
Type	Tier 3 turbocharged diesel
Horsepower	220 hp (164 kW) @ 2200 rpm
Electrical	130 amp, 12 vdc

Capacities

Diesel fuel	82 gal (310 L)
Hydraulic oil	75 gal (284 L)
Cooling system	6.5 gal (25 L)

Hopper

Length and width	6 ft x 10 ft 4 in (1,829 x 3,150 mm)
Volume	219 ft ³ (6.2 m ³)
Capacity	14 tons (12.7 tonnes)
Feed tunnel width (each)	30 in (762 mm)
Slat liners	3/4 in (9.5 mm)

Spreading Auger Sections

Construction	Cast, high alloy
Diameter	16 in (406 mm)
Thickness	5/8 in (16 mm)

Screed

Screed plate thickness	1/2 in (12.7 mm)
Positive crown (hydraulically powered)	3 in (76 mm)
Negative crown (hydraulically powered)	1 in (25 mm)
Vibrations per minute (max)	3,000
Heaters	
Stretch 20 (electric heat)	34 kW generator
Stretch 20 (four oil heaters)	274,000 BTU (total)
	2.0 gph (7.6 liters/hr)
VersaScreed 210 (electric heat)	34 kW generator
Fastach 10 (electric heat)	34 kW generator
Fastach 10 (two oil heaters)	178,000 BTU (total)
	1.3 gph (4.9 liters/hr)

Optional Equipment

- Stretch 20 screed with electric or oil heat
- VersaScreed 210 with electric heat
- Fastach 10 screed with electric or oil heat
- Generation 3 proportional or sonic material feed control
- Mechanical or sonic grade and slope control
- Multi-foot grade reference system
- Sonic averaging system
- Material feed package
- Bevel guide plates
- Cutoff shoes, 12 in (305 mm) and 24 in (610 mm) sections
- 30 ft (9,144 mm) hose reel for spray-down
- Back-up alarm
- Additional umbrella
- 500-hour filter kit

Effective Date: March 2008. Product specifications and prices are subject to change without notice or obligation. The photographs and/or drawings in this document are for illustrative purposes only. Refer to the appropriate Operator's Manual for instructions on the proper use of this equipment. Failure to follow the appropriate Operator's Manual when using our equipment or to otherwise act irresponsibly may result in serious injury or death. The only warranty applicable to our equipment is the standard written warranty applicable to the particular product and sale and Terex makes no other warranty, express or implied. Products and services listed may be trademarks, service marks, or trade names of Terex Corporation and/or its subsidiaries in the USA and other countries. All rights are reserved. Terex is a registered trademark of Terex Corporation in the USA and many other countries. Copyright 2008 Terex Corporation.

Terex Roadbuilding
P.O. Box 1985, Oklahoma City, OK 73101
(405) 787.6020 1-888-TEREXRB
www.terexrb.com

