

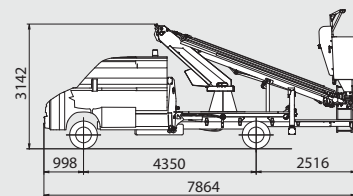
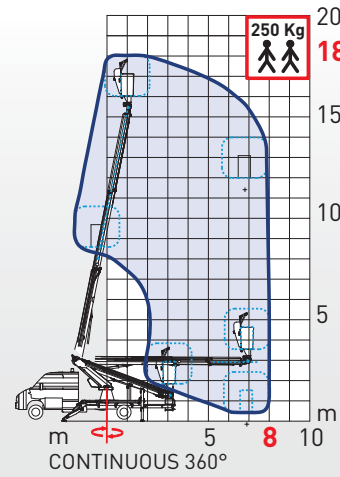
INSULATED

14 | 18 | 21 | 31
JIB

Tecnologia e sicurezza per lavorare in quota
Safety and technology for aerial works
Technologie et sécurité pour travaux aériens
Technologie und Sicherheit bei der Arbeit in der Höhe
Tecnología y seguridad por trabajos aéreos
Технология и безопасность для работы на высоте



EUROSILO-I 18 2 8 12 KV



18 m	8 m	250 kg	* 360°	-	A + A	5 Ton

* 360° Continui * Continuous 360° * 360° Continus * 360° Stufenlos * 360° Непрерывное



INSULATED 1 KV BASKET AND TRUCK



Special insulators made of non-conductive material that insulate all the mechanical connections to the turret. In case of accidental contact of the telescopic boom to power lines, the current does not pass through, truck and sub frame are safe.



Fibreglass basket insulated up to 1 KV against accidental contacts, mounted over fibreglass special insulators to grant even more safety for insulation between boom and basket.



Electrically insulated controls inside the basket thanks to special levers fibreglass.



According to DIN VDE 0682-742 and CEI EN 61057.

HIGH PERFORMANCE HYDRAULIC TOOLS

Fairmont®



Every CO.ME.T.'s aerial platform is equipped with hydraulic outlet on sub-frame, nearby hydraulic controls, to operate hydraulic-powered tools.
IMPACT WRENCHES AND DRILLS • CAPSTAN WINCH HOIST • GROUND ROD DRIVERS AND POLE PULLERS • CHAIN SAW • CUT-OFF SAW
LONG REACH CHAIN SAW • PRUNERS • AUGERS • BREAKER HAMMER • POWER UNITS • SUBMERSIBLE WATER PUMPS

CO.ME.T. Officine reserves itself the right to make changes to project without notice.



Head Office - Show Room - Factory:
Via Castelfranco, 46 - Località Tivoli
40017 San Giovanni in Persiceto (BO) ITALY
Phone +39.051.6878711 - Fax +39.051.799902
Email: info@officinecomet.com - Website: www.officinecomet.com



INSULATED

14 | 18 | 21 | 31
JIB

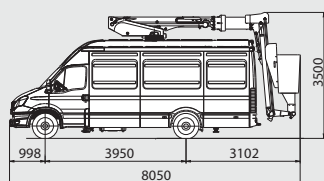
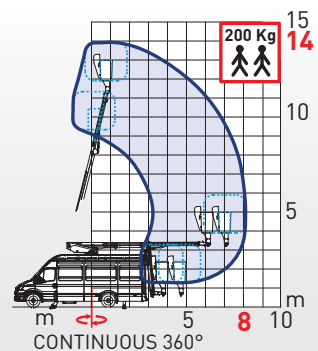


➤ SALI CON NOI ➤ CLIMB WITH US ➤ MONTE AVEC NOUS ➤ STEIGEN SIE MIT UNS AUF ➤ SUBE CON NOSOTROS ➤ ПОДНИМАЙТЕСЬ С НАМИ

VAN MOUNTED EUROFILO-I

14 | 2 | 8 | JIB VAN 46 KV

Area di lavoro | Working diagram
Diagramme de travail | Arbeitsbereich
Área de trabajo | Рабочая область



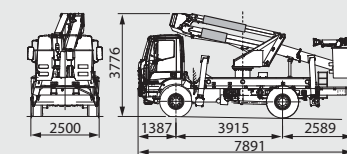
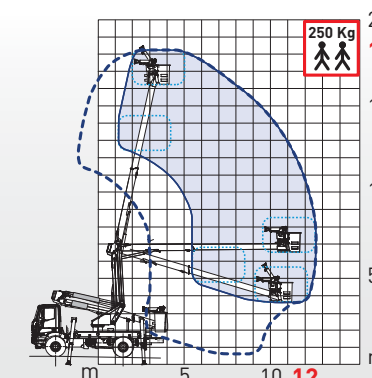
14 m	8 m	200 kg	* 360°	-	H	5 Ton

* 360° Continui * Continuous 360° * 360° Continus * 360° Stufenlos * 360° Непрерывное

EUROSKY-I

18 | 2 | 12 | 46 KV

Area di lavoro | Working diagram
Diagramme de travail | Arbeitsbereich
Área de trabajo | Рабочая область

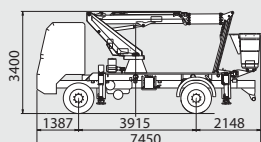
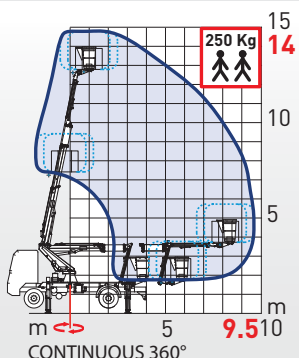


18 m	12 m	250 kg	360°	90°+90°	A + A	9 Ton

EUROFILO-I

14 | 2 | 9.5 | JIB 46 KV

Area di lavoro | Working diagram
Diagramme de travail | Arbeitsbereich
Área de trabajo | Рабочая область



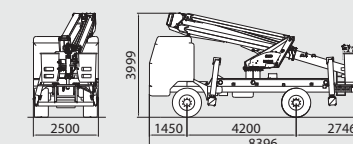
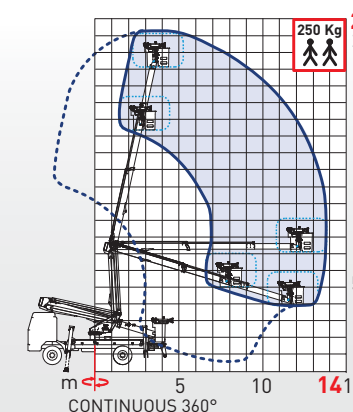
14 m	9.5 m	250 kg	* 360°	90°+90°	H + H	9 Ton

* 360° Continui * Continuous 360° * 360° Continus * 360° Stufenlos * 360° Непрерывное

EUROSKY-I

21 | 2 | 14 | 46 KV

Area di lavoro | Working diagram
Diagramme de travail | Arbeitsbereich
Área de trabajo | Рабочая область



21 m	14 m	250 kg	* 360°	90°+90°	HE + HE	9 Ton

* 360° Continui * Continuous 360° * 360° Continus * 360° Stufenlos * 360° Непрерывное

CRAWLER MOUNTED

EUROFILO-I

14 | 2 | 9.5 | JIB 46 KV

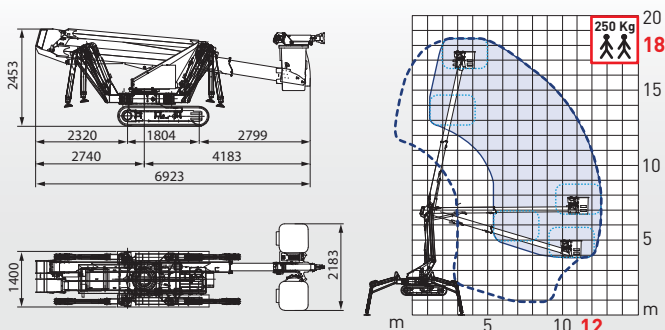
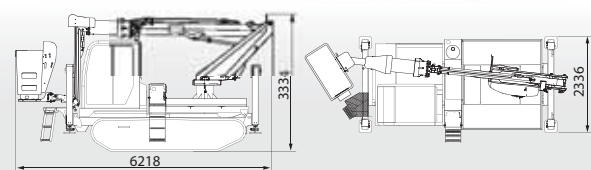
SPIDER-I

18 | 2 | 12 | 46 KV

EUROSKY-I

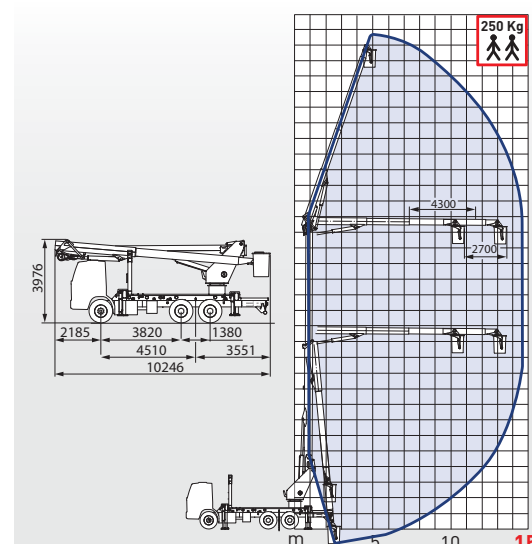
31 | 2 | 15 | 138 KV / 500 KV

Area di lavoro | Working diagram
Diagramme de travail | Arbeitsbereich
Área de trabajo | Рабочая область



14 m	9.5 m	240 kg	360°	90°+90°	H + H

18 m	12 m	250 kg	360°	90°+90°	R + R



31 m	15 m	250 kg	360°	90°+90°	HE + HE	18 Ton