

D-SERIES CRAWLER EXCAVATORS
CX490D | CX500D ME

CASE
CONSTRUCTION



IT'S TIME
FOR MORE

www.casece.com
EXPERTS FOR THE REAL WORLD
SINCE 1842

HERITAGE

A TRADITION OF INDUSTRY FIRSTS



EXPERTS FOR THE REAL WORLD

SINCE 1842

1842 CASE is founded.

1869 The first CASE portable steam engine - road construction is born.

1957 The first factory - integrated loader/backhoe in the world: a CASE industry first.

1969 CASE begins skid steer loader production.

1992 Sumitomo becomes supplier to CASE Corporation distributing excavators ranging from 7 to 80 tons.

1998 Global Alliance signed between CASE Corporation and Sumitomo.

2001 CASE introduces the first of its CX excavators, powerful new "thinking machines" designed to enhance productivity through onboard intelligence features.

2007 CX210B is awarded the «Good Design Award» by the design Academy of Japan.

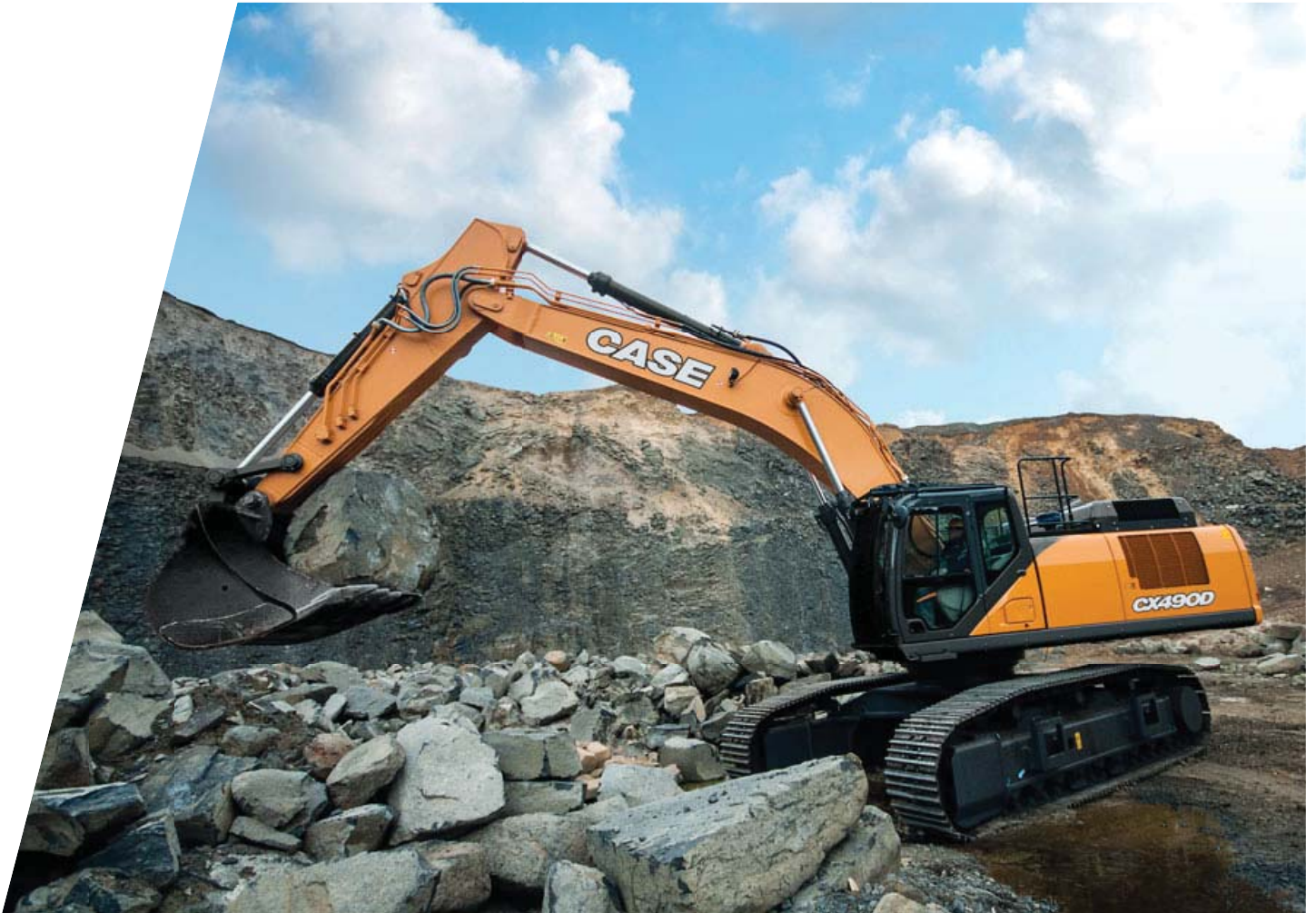
2008 CX210B wins the 18th «Energy Conservation Award» from the

Agency for Natural Resources and Energy of the Japanese Ministry of Economy.

2011 CASE becomes the first construction equipment manufacturer to offer both selective catalytic reduction and cooled exhaust gas recirculation as solutions to meet stringent emissions standards.

2015 CASE launches the new "D series" Tier 4 final/ EU Stage IV Crawler Excavators.

CRAWLER EXCAVATORS D-NA BUILT TO LAST AND CONTROL



HIGH RELIABILITY

Improved D-esign for D-urable performances

- The boom and arm have been redesigned according to the latest stress analysis criteria to reduce stress points.
- The undercarriage has been redesigned and reshaped to facilitate the welding process, enhancing the reliability of the fabricated structures. The One-Side-Slope lower frame design reduces the time needed to clean the undercarriage.
- The size of the undercarriage component has been increased, especially in those parts where a high level of protection is required for components.

HIGH QUALITY

Accurate, simple and robust design for high durability

- True to CASE's enviable reputation for reliability and durability, the D-Series delivers leading design solutions and manufacturing quality.



HIGH PRECISION AND CONTROLLABILITY

Smooth control with the CASE Intelligent Hydraulic System

The proven CASE Intelligent Hydraulic System (CIHS) delivers energy savings in all cycle time phases (digging, boom up and swing, dumping).

D-SERIES CRAWLER EXCAVATORS



CX500D MASS EXCAVATOR

A dedicated model for mass excavation provides outstanding breakout force performance. With a special heavy duty attachment, bigger bucket cylinders and optimized kinematics, the CX500D ME works with larger buckets than the CX490D, delivering industry leading speed, productivity and efficiency.



FAST CYCLES

High performance hydraulics control

- The new electrically controlled pumps deliver faster cycle times.
- Oil flow can be adjusted according to working needs, or increased smoothly while starting travel and boom down.
- As a result, the machine responsiveness to operation load is multiplied, resulting in cycle times up to 10% faster than the previous generation.



HIGH VERSATILITY

Working modes easily adapt to every work load

- A** MODE for grading, lifting and precision work.
- H** MODE the best balance between productivity and fuel economy.
- SP** MODE extra speed and power for the most demanding jobs that require maximum productivity.

Auto Power Boost automatically increases hydraulic pressure according to the operation's demands.

Undercarriage and track to match different customer needs

A retractable undercarriage is available for easy transportation to your jobsite as an alternative to the LC chassis. Different sizes of track shoes are available, including the 600 mm double grouser shoes for CASEs when greater traction is needed.

PRODUCTIVITY

IT'S TIME FOR BIGGER PERFORMANCE



HIGH EFFICIENCY

Great performances with low fuel consumption

CASE advanced energy management provides solid fuel saving opportunities and lower emissions, and helps to prolong the life of the machine. It consists of 5 Energy Saving controls:

- Torque control decreases main pump loads to prevent a drop in engine rpm, with improved sensitivity to control/monitor main pump loads
- Boom Economy Control (BEC) increases fuel efficiency during boom lower and swing operations, like dump unloading
- Swing Relief Control (SWC) carefully manages the hydraulic power distribution in slewing operations to deliver the most efficient flow and pressure.
- Spool Stroke Control (SSC) creates an automatic pressure adjustment during digging and leveling operations.
- Idle functions: the Auto Idle function lowers engine rpm after 5 seconds of lever inactivity whatever the throttle position, while the Idle Shutdown function shuts the engine down after a pre-set time of inactivity. Both are manually switchable.



CLEAN AND MAINTENANCE-FREE POWER

EU Stage IV/TIER4 Final compliant CASE engines

- Maintenance-free SCR and DOC-only solution.
- No Diesel Particulate Filter (DPF) or regeneration are required as no solid particles remain trapped into the system, resulting in maximum uptime and lower operating costs.
- High engine efficiency of the latest generation, electronically controlled, high pressure common rail with multi-injection engine ensures great performances and low fuel consumption.
- CASE adds a Variable Geometry Turbocharger to ensure a fast transient response of the engine while minimizing fluid consumption.
- The system is also very economical in its use of AdBlue, which is just 2.5%- 3% of fuel consumption. The large AdBlue tank only needs to be refilled every 10 fuel refills, so that no time is wasted.

D-SERIES CRAWLER EXCAVATORS



COMFORTABLE AND SAFE CAB

The ultimate interior cab configuration

- Superior cab structure with ample legroom for the operator.
- Fully adjustable workstation.
- New ergonomically designed high back seat with air suspension for excellent comfort.
- Optional seat tilting adjustment and seat heater.
- Top class features include the 178 mm colour LED Monitor, bluetooth tuner and Radio, spacious storage compartment, 12v accessory plug, clipboard holder, mobile phone holder, warm and cool box, fuse box service connection, storage tray and ergonomic arm rest.



SMOOTH RIDE, QUIET WORK ENVIRONMENT

Soundproof pressurised cab

- The cushioning system lowers noise and vibration levels for the operator's ultimate comfort.



COMFORT RULES FIRST CLASS CAB AND SEAT



D-SERIES CRAWLER EXCAVATORS



SAFE OPERATION

ROPS cab and FOPS level II

A safe working environment for the operator:

- Reinforced structure of the cab compliant with ROPS/FOPS requirements.
- Standard head protection approved to FOPS Level 2.
- Wide offering of optional front guards.
- Optional factory fitted travel alarm for greater safety on the jobsite around the machine.



OUTSTANDING VISIBILITY

Safety-minded cab structure

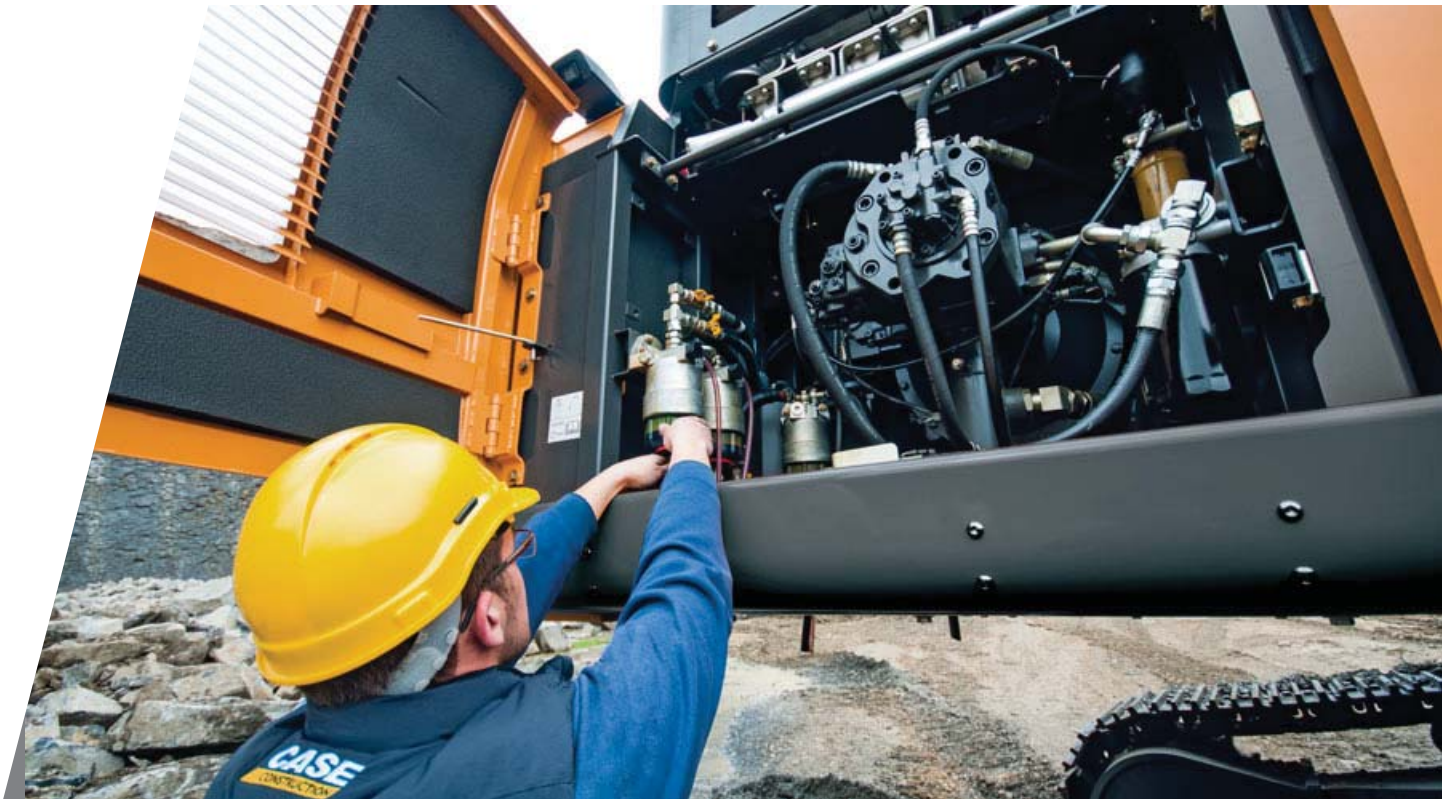
Cab designed to create a perceptibly safe and secure working environment:

- Ample glazed surface.
- Rear and side view camera.
- Unique 178 mm LED monitor with continuous camera view.
- Efficient use of space with grouped engine, cooling and after-treatment systems to provide excellent rear visibility.
- Optional LED lighting package provides a deeper and wider visibility coverage of the area around the machine when working after dark.



SAFETY AND MAINTENANCE

WORK SAFELY IN ALL CONDITIONS



SAFE ACCESS TO UPPERCARRIAGE

Solid and robust platform
and handrails

- Wide, robust and comfortable steps for safe access to the top of the hood.
- Solid handrail for protection on the top of the hood.
- Non-slip plates and top hood cover are supported by 2 gas pistons and secured by 2 mechanical stops when open.
- Solid platform (80 cm wide) on top of the engine compartment to provide a stable base for the technician working on the engine compartment.



EASY MAINTENANCE

CASE stays «grounded»

- All filters and regular fill points are grouped for easy access.
- Engine oil change intervals set at 500 hours.
- Radiator and cooler cores mounted side by side for easy access.
- Standard 100 l/min refueling pump with automatic cut off.
- Optional hydraulic and engine oil sampling port accessible at ground level for easy oil check.
- Battery Shutdown Switch for safe maintenance on the electrical system.
- All the D-series crawler excavators feature the Extended Maintenance System (EMS) bushings, providing 1,000 hour greasing intervals on all pins except the attachment linkage.
- Hydraulically-driven cooling fan contributes to lower noise output and improvements in fuel consumption. The reversing mode helps to reduce maintenance needs.



MAIN REASONS TO CHOOSE THE D-SERIES



HIGH PRECISION AND CONTROLLABILITY

CASE Intelligent Hydraulic System (CIHS):
synonymous with high performance
smooth control.



HIGH RELIABILITY

Reliability and durability with the new
redesigned arm, boom and undercarriage.



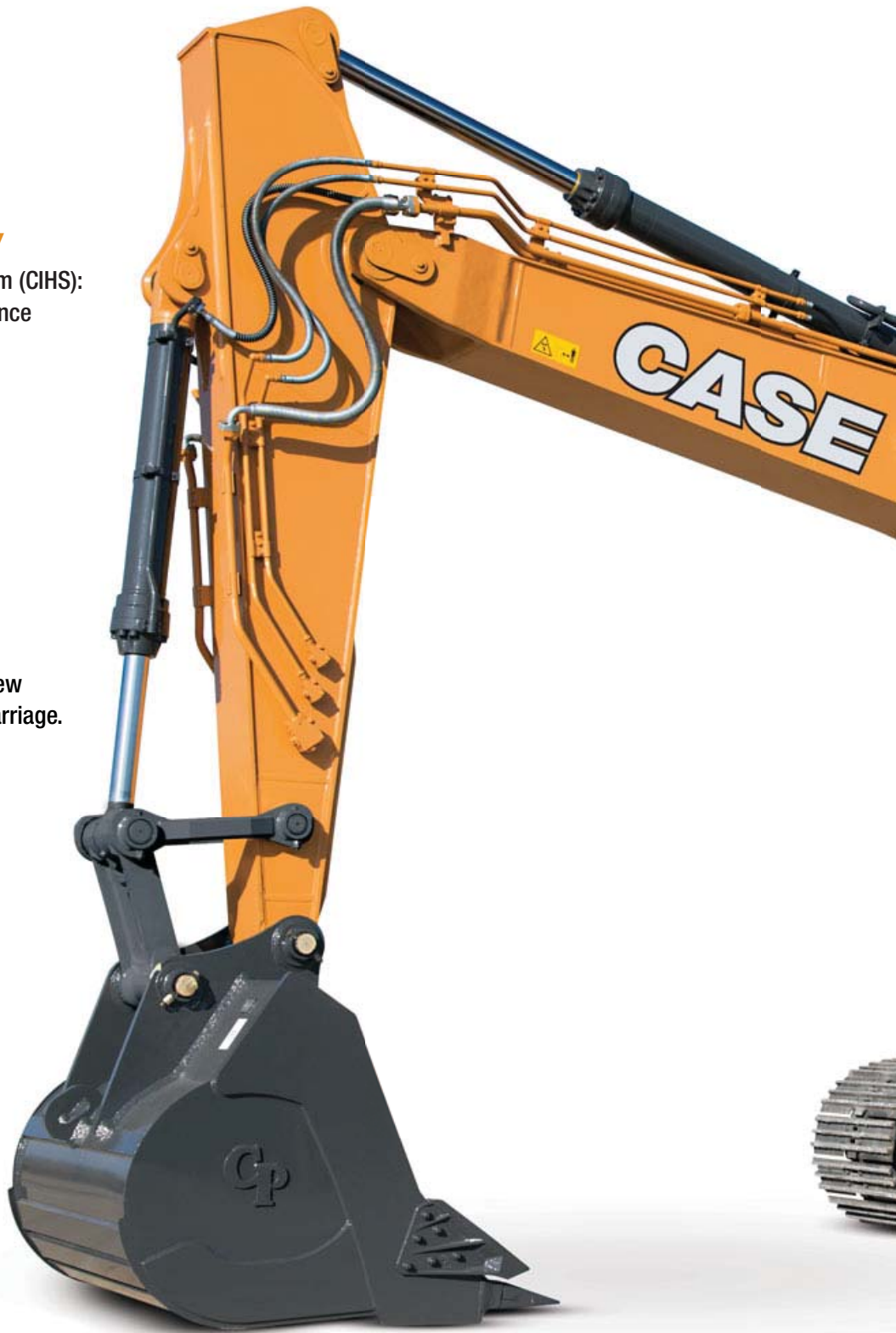
HIGH VERSATILITY

- 3 available power modes to match customer needs (A, H, SP)
- Auto Power boost job-sensing hydraulic pressure increase.
- Retractable undercarriage or LC chassis
- Wide offering of track shoes size, included the 600 mm steel double grouser shoes



HIGH EFFICIENCY

- Energy saving system to take advantage of all fuel saving opportunities: up to 8% more fuel efficiency
- High levels of AdBlue autonomy with larger AdBlue tank and low additive consumption





10% FASTER

- New electronically controlled hydraulic pumps



OUTSTANDING VISIBILITY

- Wide glazed area
- Rear and side view
- Large LED monitor
- Optional LED lighting package



SMOOTH RIDE, QUIET WORK ENVIRONMENT

- Cab with cushioning system
- Low noise and vibration



COMFORTABLE AND SAFE CAB

- Extra spacious cab
- Fully adjustable workstation
- New high back seat



LOW EMISSIONS

- EU Stage IV/Tier4 final compliant
- No DPF
- DOC and SCR-only maintenance-free components



SAFE OPERATION AND MAINTENANCE

- ROPS cab and FOPS level II
- Standard extended handrails and guardrails
- Optional factory fitted travel alarm
- Maintenance points grouped for easy and safe access





THE SCIENCE BIT

The CASE SiteWatch telematics system uses a high-tech control unit mounted on each machine to collate information from that machine and from GPS satellites. This data is then sent wirelessly through the mobile communication networks to the CASE Telematics Web Portal.



SiteWatch: centralised fleet control benefits at your fingertips

Measure your true asset availability and optimise it

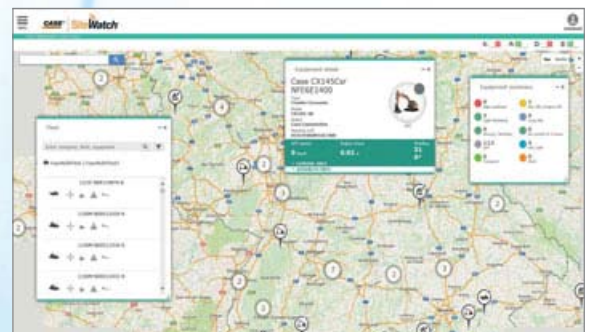
- Eliminate the “phantom fleet”: SiteWatch allows to identify spare units or under loaded machines on each site.
- Become able to reallocate units where they are more needed.
- Forward Maintenance Planning is easier since the actualised working hours are always available.
- Extend the benefits of SiteWatch to the rest of your fleet: SiteWatch can be installed on the units of other brands as well.

Challenge your Total Cost of Ownership!

- Being able to compare the fuel usage of different machine types will allow you choose the right equipment.
- Save on transport costs with planned and grouped maintenance tasks.
- Peace of mind, optimised uptime and lower repair costs: with preventive maintenance you can for example be alerted if the engine needs to be serviced and avoid a disruptive breakdown.
- Be able to compare your asset Return On Investment on different sites.
- Your equipment is used only during working hours. You can set up alerts so that you know if it is in use during the weekend or at night.
- Integrate with the programmed maintenance package, so that you can be sure every machine is at the right place at the right time.

More Safety, Lower Insurance Premium

- Keep thieves away: dissuade them from attacking your asset because it is geo-localised. SiteWatch is hidden so that thieves can't find it quickly.
- Your fleet is used only where you decide. You can define a virtual fence and receive an email when a machine exits that perimeter.



STANDARD AND OPTIONS

STANDARD EQUIPMENT

ENGINE

Isuzu 6-cylinder turbo-charged diesel
Tier 4 Final/EU stage IV Certified
Selective Catalytic Reduction (SCR)
Diesel Oxidation Catalyst (DOC)
Cooled Exhaust Gas Recirculation (CEGR)
VGT turbocharger
Electronic fuel injection
High pressure common rail system
Neutral safety start
Auto-engine warm up, emergency stop
Glow-plug pre-heat
Engine Protection Feature (EPF)
Dual-stage fuel filtration
Dual element air filter
Remote oil filter
Green plug oil drain
500-hour engine oil change interval
24-Volt system
Battery disconnect switch
High ambient temperature cooling package
External Fuel and AdBlue gauges
Fuel cooler
Fuel filter restriction indicator
Fuel shut-off valve
Idle start
Radiator, oil cooler, intercooler – protective Screen
Hydraulic reversing cooling fan
Refueling Pump

FUEL ECONOMY SYSTEMS

Engine Idle/Fuel Economy System:
Auto-idle
One-touch idle
Auto-idle shut-down
Torque control
Boom Economy Control (BEC)
Swing Relief Control (SWC)
Spool Stroke Control (SSC)

OPTIONAL EQUIPMENT

HYDRAULICS

Low-flow circuit, proportional control
Single acting pedal activated hammer circuit
Single acting hammer circuit with electrical proportional control
Pedal activated multifunction (hammer/high flow) circuit
Multifunction (hammer/high flow) circuit with electrical proportional control

ATTACHMENTS

Hydraulic quick coupler provision
Safety valves and bucket linkage with hook

HYDRAULICS

Electronically controlled hydraulic pumps
Auto power boost
Auto travel speed change
Selectable work modes
Overload warning device
ISO pattern controls
Pre-set auxiliary pump settings
Switch controlled auxiliary selection
Auxiliary valve
Hydraulic filter restriction indicator
Oil cooler
5,000 hour hydraulic oil change interval
2,000 hour hydraulic filter change interval

UPPERSTRUCTURE

ISO mirrors
Handrail – RH access
ISO guard rails
Isolation mounted cab (fluid and spring)
Lifting eyes for counterweight
Lockable fuel cap, service doors and toolbox
Rear and side view safety camera

OPERATOR STATION

ROPS protection
FOPS guard OPG level II
Pressurized cab
Tempered safety glass
One-touch lock front window
Sun visor&rain deflector
AC/heat/defrost w/auto climate control
Hot&coolbox, cup holder & ashtray
Interior dome light
Cloth covered air-suspension high-back seat
Sliding seat – 90 mm
Seat-belt
Adjustable armrests
Tilting consoles - 4-position
Low-effort joystick controls

OPERATOR STATION

Front cab guard - vertical bars (OPG level 2)
Front cab guard - vertical bars (OPG level 1)
Front mesh screen
Travel alarm
AM/FM CD/radio with antenna and 2-speakers
LED working lights

UNDERCARRIAGE

750 / 900 mm steel triple grouser shoes
600 mm steel double grouser shoes
Full track guide

Sliding cockpit 180 mm
Auxiliary select system
Aux-in port for personal electronics
Multifunction LED color monitor (180 mm)
26 selectable languages for monitor
Anti-theft system (start code system)
Rubber floor mat
12volt electric socket
24-volt cigarette lighter
One-piece right hand window
Working lights (boom& upperstructure)
Cab top working lights
Windshield wiper / washer
Storage compartments
On-board diagnostic system

ATTACHMENTS

Standard boom 7 m (CX490D)
Mass Excavation boom 6.5 m (CX500D ME)
HD arm 2.50/3.40m (CX490D)
HD Mass Excavation arm: 2.50 m only (CX500D ME)
Boom mounted work light
Auxiliary pipe brackets
Centralized lube bank
Attachment cushion valve

UNDERCARRIAGE

600 mm steel triple grouser shoes
Full overlap turntable bearing tub
Sealed link chain
Lashing points

TELEMATICS

Three years SiteWatch “Advanced” subscription with remote monitoring and one user’s licence

OTHERS

Catwalk
Engine and hydraulic oil sampling ports





CX490D

CX D-SERIES

CX490D

ENGINE

Model _____ ISUZU AQ-6UZ1X
 Type _____ Water-cooled, 4-cycle diesel, 6-cylinder in line,
 High pressure common rail system (electric control).
 Turbocharger with air cooled intercooler, SCR system.

Emissions _____ Tier 4 Final / Eu stage IV
 Number of cylinders/Displacement (l) _____ 6 / 9.84
 Bore and stroke (mm) _____ 120 x 145

Rated flywheel horse power

ISO 14396 _____ 270 kW / 362 hp at 2000 min⁻¹

with fan-pump _____ 245 kW / 328 hp at 2000 min⁻¹

Maximum torque

ISO 14396 _____ 1363 N-m at 1500 min⁻¹

HYDRAULIC SYSTEM

Main pumps _____ 2 variable displacement axial piston pumps
 with regulating system

Max. oil flow (l/min) _____ 2 × 364 at 2000 min⁻¹

Working circuit pressure

Boom/Arm/Bucket (MPa) _____ 31.4

34.3 with auto power up

Swing circuit (MPa) _____ 29.4

Travel circuit (MPa) _____ 34.3

Pilot pump _____ 1 gear pump

Max. oil flow (l/min) _____ 30

Working circuit pressure (MPa) _____ 3.9

Boom Cylinders

Bore (mm) _____ 170

Stroke (mm) _____ 1550

Arm Cylinders

Bore (mm) _____ 190

Stroke (mm) _____ 1920

Bucket Cylinders

Bore (mm) _____ 165

Stroke (mm) _____ 1285

SWING

Swing Motor _____ Fixed displacement axial piston motor

Maximum swing speed (min⁻¹) _____ 9.1

Swing torque (Nm) _____ 150000

FILTERS

Suction filter (µm) _____ 105

Return filter (µm) _____ 6

Pilot line filter (µm) _____ 8

ELECTRICAL SYSTEM

Voltage (V) _____ 24

Alternator (Amp) _____ 50

Starter (V/kW) _____ 24/5.5

Battery _____ 2 X 12 V - 128 Ah/5HR

UNDERCARRIAGE

Travel motor _____ variable displacement axial piston motor

Travel speeds

High (km/h - automatic travel speed shifting) _____ 5.3

Low (km/h) _____ 3.2

Drawbar pull (kN) _____ 339

(Fixed sideframe undercarriage)

Number of carrier rollers

Fixed sideframe undercarriage _____ 2 (each side)

Retractable sideframe undercarriage _____ 3 (each side)

Number of track rollers (each side) _____ 9

Number of shoes (each side) _____ 50

SOUND LEVEL

External guaranteed sound level

(EU Directive 2000/14/EC) _____ LwA 105 dB(A)

Operator cab sound pressure level (ISO 6396) _____ LpA 70 dB(A)

CIRCUIT AND COMPONENT CAPACITIES

Fuel tank (l) _____ 650

Hydraulic system (l) _____ 460

Hydraulic tank (l) _____ 230

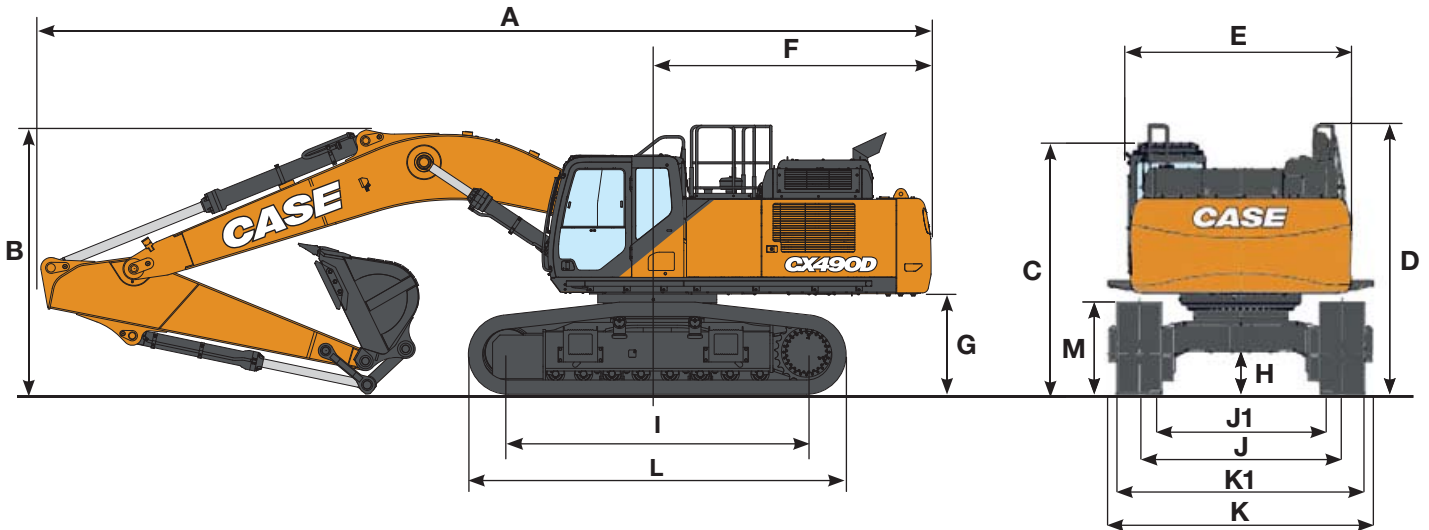
Adblue tank (l) _____ 152

WEIGHT AND GROUND PRESSURE

(with 3.38 m Arm, 2.0 m³ HD bucket, 600 mm grouser shoes, operator, lubricant, coolant, full fuel tank and FOPS protection level 2.)

CX490D	FIXED SIDEFRAME UNDERCARRIAGE	RETRACTABLE SIDEFRAME UNDERCARRIAGE
Weight	49400 kg	50900 kg
Ground Pressure	0.085 MPa	0.087 MPa
Counterweight	10000 kg	10000 kg

SPECIFICATIONS



GENERAL DIMENSIONS

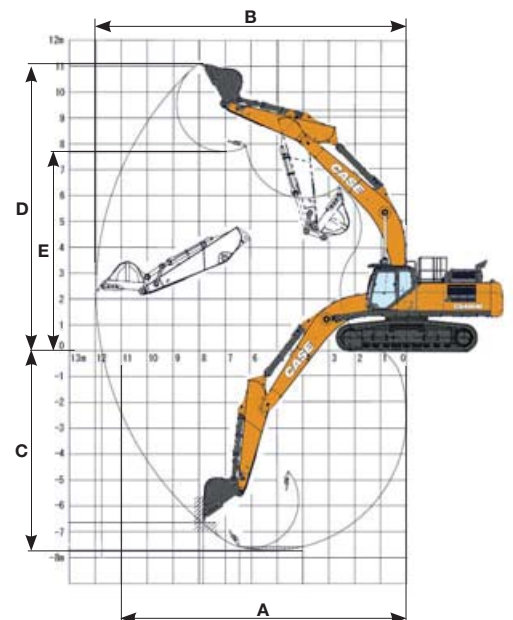
		FIXED SIDEFRAME UNDERCARRIAGE		RETRACTABLE SIDEFRAME UNDERCARRIAGE	
		Arm 3.40 m	Arm 2.50 m	Arm 3.40 m	Arm 2.50 m
Overall length (without attachment)	mm	6450	6450	6450	6450
A Overall length (with attachment)	mm	12090	12110	12060	12090
B Overall height (with attachment)	mm	3650	3670	3680	3720
C Cab height	mm	3400	3400	3550	3550
D Overall height (to top of guardrail)	mm	3650	3650	3800	3800
Upper structure overall width (without catwalks)	mm	3060	3060	3060	3060
E Upper structure overall width (with catwalks)	mm	3590	3590	3590	3590
F Swing (rear end) radius	mm	3730	3730	3730	3730
G Clearance height under upper structure	mm	1330	1330	1480	1480
H Minimum ground clearance	mm	535	535	720	720
I Wheel base (center to center of wheels)	mm	4400	4400	4400	4400
L Crawler overall length	mm	5450	5450	5450	5450
M Crawler tracks height	mm	1240	1240	1220	1220
J Track gauge (extended)	mm	2750	2750	2890	2890
J1 Track gauge (retracted)	mm	-	-	2390	2390
K Undercarriage overall width (extended with 600 mm shoes)	mm	3350	3350	3490	3490
K1 Undercarriage overall width (retracted with 600 mm shoes)	mm	-	-	2990	2990

PERFORMANCE DATA

		FIXED SIDEFRAME UNDERCARRIAGE		RETRACTABLE SIDEFRAME UNDERCARRIAGE	
		Arm 3.40 m	Arm 2.50 m	Arm 3.40 m	Arm 2.50 m
Boom length	mm	6980	6980	6980	6980
Bucket radius	mm	1840	1840	1840	1840
Bucket wrist action	°	176	176	176	176
A Maximum reach at GRP	mm	11750	10980	11720	10980
B Maximum reach	mm	11970	11220	11970	11220
C Max. digging depth	mm	7720	6870	7570	6720
D Max. digging height	mm	11100	10850	11250	11000
E Max. dumping height	mm	7690	7410	7840	7560

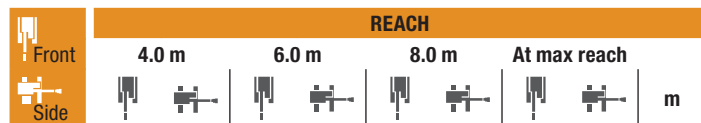
DIGGING FORCE (ISO 6015)

		Arm 3.40 m	Arm 2.50 m
Arm digging force	kN	201	246
with Auto power up	kN	220	269
Bucket digging force	kN	247	247
with Auto power up	kN	270	270



LIFTING CAPACITY

CX490D



LC - 2.50 m length, 600 mm shoes. Max reach 9.38 m

	REACH								
	4.0 m		6.0 m		8.0 m		At max reach		
8.0 m							12390*	11360	7.41
6.0 m			14290*	14290*	12110*	9860	11820*	8730	6.06
4.0 m			16600*	14230	12860*	9440	11670*	7600	9.22
2.0 m			18400*	13240	13610*	8990	11670*	7210	9.37
0 m			18540*	12820	13680*	8720	11700*	7410	9.09
-2.0 m	22160*	22160*	16940*	12850	12320*	8770	11520*	8370	8.32
-4.0 m	16770*	16770*	12870*	12870*			10480*	10480*	6.09



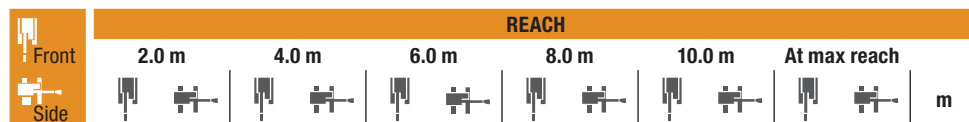
LC - 3.40 m length, 600 mm shoes. Max reach 10.10 m

	REACH													
	2.0 m		4.0 m		6.0 m		8.0 m		10.0 m		At max reach			
8.0 m												9750*	9490	8.34
6.0 m												9460*	7600	9.42
4.0 m					15280*	14580	12020*	9520				9660*	6710	9.99
2.0 m					17570*	13410	13050*	8980	10560	6490		10350*	6370	10.13
0 m				13260*	13260*	18470*	12750	13540*	8610			10620	6480	9.87
-2.0 m	13250*	13250*	24340*	23560	17680*	12600	12970*	8500				10690*	7150	9.16
-4.0 m			20300*	20300*	14860*	12850						10330*	8320	7.09



RTC - 2.50 m length, 600 mm shoes. Max reach 9.38 m

	REACH								
	4.0 m		6.0 m		8.0 m		At max reach		
8.0 m							12390*	12170	7.41
6.0 m			14290*	14290*	12110*	10590	11820*	9380	8.06
4.0 m			16600*	15340	12860*	10150	11670*	8190	9.22
2.0 m			18400*	14340	13610*	9700	11670*	7790	9.37
0 m			18540*	13920	13680*	9440	11700*	8000	9.09
-2.0 m	22160*	22160*	16940*	13950	12320*	9480	11520*	9050	8.32
-4.0 m	16770*	16770*	12870*	12870*			10480*	10480*	6.09



RTC - 3.40 m length, 600 mm shoes. Max reach 10.10 m

	REACH													
	2.0 m		4.0 m		6.0 m		8.0 m		10.0 m		At max reach			
8.0 m												9750*	9750*	8.34
6.0 m												9460*	8170	9.42
4.0 m					15280*	15280*	12020*	10240				9660*	7230	9.99
2.0 m					17570*	14510	13050*	9700	10640*	7020		10350*	6890	10.13
0 m				13260*	13260*	18470*	13850	13540*	9320			10640*	7010	9.87
-2.0 m	13250*	13250*	24340*	24340*	17680*	13690	12970*	9210				10690*	7740	9.16
-4.0 m			20300*	20300*	14860*	13950						10330*	9640	7.09

* The above loads (kg) are compliant to the ISO standards and refer to the excavator equipped without bucket. The indicated loads are no more than 87% of hydraulic system lift capacity or 75% of static tipping load. Values marked with an asterisk (*) are limited by the hydraulic lifting capacity.

CX490D LC

HEAVY DUTY BUCKET (DIRECT MOUNT)

CAPACITY (ISO7451 HEAPED)	WIDTH	WEIGHT	ARM 2.50 m	ARM 3.40 m
1.04 m ³	900 mm	1634 kg	○	○
1.35 m ³	1100 mm	1803 kg	○	○
1.50 m ³	1200 mm	1936 kg	○	○
1.75 m ³	1350 mm	2063 kg	○	○
2.00 m ³	1500 mm	2238 kg	○	●
2.33 m ³	1700 mm	2407 kg	●	■
2.50 m ³	1800 mm	2492 kg	●	■
2.66 m ³	1900 mm	2667 kg	■	■

ROCK BUCKET (DIRECT MOUNT)

CAPACITY (ISO7451 HEAPED)	WIDTH	WEIGHT	ARM 2.50 m	ARM 3.40 m
1.04 m ³	900 mm	1775 kg	○	○
1.35 m ³	1100 mm	1949 kg	○	○
1.50 m ³	1200 mm	2082 kg	○	○
1.75 m ³	1350 mm	2213 kg	○	○
2.00 m ³	1500 mm	2389 kg	○	●
2.33 m ³	1700 mm	2563 kg	●	■
2.50 m ³	1800 mm	2651 kg	●	■
2.66 m ³	1900 mm	2825 kg	■	■

CX490D RTC

HEAVY DUTY BUCKET (DIRECT MOUNT)

CAPACITY (ISO7451 HEAPED)	WIDTH	WEIGHT	ARM 2.50 m	ARM 3.40 m
1.04 m ³	900 mm	1634 kg	○	○
1.35 m ³	1100 mm	1803 kg	○	○
1.50 m ³	1200 mm	1936 kg	○	○
1.75 m ³	1350 mm	2063 kg	○	○
2.00 m ³	1500 mm	2238 kg	○	○
2.33 m ³	1700 mm	2407 kg	○	●
2.50 m ³	1800 mm	2492 kg	●	■
2.66 m ³	1900 mm	2667 kg	●	■

ROCK BUCKET (DIRECT MOUNT)

CAPACITY (ISO7451 HEAPED)	WIDTH	WEIGHT	ARM 2.50 m	ARM 3.40 m
1.04 m ³	900 mm	1775 kg	○	○
1.35 m ³	1100 mm	1949 kg	○	○
1.50 m ³	1200 mm	2082 kg	○	○
1.75 m ³	1350 mm	2213 kg	○	○
2.00 m ³	1500 mm	2389 kg	○	○
2.33 m ³	1700 mm	2563 kg	●	●
2.50 m ³	1800 mm	2651 kg	●	■
2.66 m ³	1900 mm	2825 kg	●	■

HEAVY DUTY SCOOP BUCKET (WITH CASE MULTI-FIT S COUPLER)

CAPACITY (ISO7451 HEAPED)	WIDTH	WEIGHT	ARM 2.50 m	ARM 3.40 m
1.04 m ³	900 mm	1611 kg	○	○
1.35 m ³	1100 mm	1788 kg	○	○
1.50 m ³	1200 mm	1926 kg	○	○
1.75 m ³	1350 mm	2059 kg	○	●
2.00 m ³	1500 mm	2241 kg	●	■
2.33 m ³	1700 mm	2418 kg	■	×
2.50 m ³	1800 mm	2534 kg	■	×

ROCK SCOOP BUCKET (WITH CASE MULTI-FIT S COUPLER)

CAPACITY (ISO7451 HEAPED)	WIDTH	WEIGHT	ARM 2.50 m	ARM 3.40 m
1.04 m ³	900 mm	1752 kg	○	○
1.35 m ³	1100 mm	1935 kg	○	○
1.50 m ³	1200 mm	2071 kg	○	●
1.75 m ³	1350 mm	2209 kg	○	●
2.00 m ³	1500 mm	2391 kg	●	■
2.33 m ³	1700 mm	2575 kg	■	×
2.50 m ³	1800 mm	2693 kg	■	×

HEAVY DUTY SCOOP BUCKET (WITH CASE MULTI-FIT S COUPLER)

CAPACITY (ISO7451 HEAPED)	WIDTH	WEIGHT	ARM 2.50 m	ARM 3.40 m
1.04 m ³	900 mm	1611 kg	○	○
1.35 m ³	1100 mm	1788 kg	○	○
1.50 m ³	1200 mm	1926 kg	○	○
1.75 m ³	1350 mm	2059 kg	○	●
2.00 m ³	1500 mm	2241 kg	●	●
2.33 m ³	1700 mm	2418 kg	●	■
2.50 m ³	1800 mm	2534 kg	■	×
2.66 m ³	1900 mm	2674 kg	■	×

ROCK SCOOP BUCKET (WITH CASE MULTI-FIT S COUPLER)

CAPACITY (ISO7451 HEAPED)	WIDTH	WEIGHT	ARM 2.50 m	ARM 3.40 m
1.04 m ³	900 mm	1752 kg	○	○
1.35 m ³	1100 mm	1935 kg	○	○
1.50 m ³	1200 mm	2071 kg	○	○
1.75 m ³	1350 mm	2209 kg	○	●
2.00 m ³	1500 mm	2391 kg	●	■
2.33 m ³	1700 mm	2575 kg	■	■
2.50 m ³	1800 mm	2693 kg	■	×
2.66 m ³	1900 mm	2832 kg	■	×

CX D-SERIES

CX500D ME

ENGINE

Model _____ ISUZU AQ-6UZ1X
 Type _____ Water-cooled, 4-cycle diesel, 6-cylinder in line,
 High pressure common rail system (electric control).
 Turbocharger with air cooled intercooler, SCR system.

Emissions _____ Tier 4 Final / Eu stage IV
 Number of cylinders/Displacement (l) _____ 6 / 9.84
 Bore and stroke (mm) _____ 120 x 145

Rated flywheel horse power

ISO 14396 _____ 270 kW / 362 hp at 2000 min⁻¹

with fan-pump _____ 245 kW / 328 hp at 2000 min⁻¹

Maximum torque

ISO 14396 _____ 1363 N-m at 1500 min⁻¹

HYDRAULIC SYSTEM

Main pumps _____ 2 variable displacement axial piston pumps
 with regulating system

Max. oil flow (l/min) _____ 2 × 364 at 2000 min⁻¹

Working circuit pressure

Boom/Arm/Bucket (MPa) _____ 31.4

34.3 with auto power up

Swing circuit (MPa) _____ 29.4

Travel circuit (MPa) _____ 34.3

Pilot pump _____ 1 gear pump

Max. oil flow (l/min) _____ 30

Working circuit pressure (MPa) _____ 3.9

Boom Cylinders

Bore (mm) _____ 170

Stroke (mm) _____ 1550

Arm Cylinders

Bore (mm) _____ 190

Stroke (mm) _____ 1920

Bucket Cylinders

Bore (mm) _____ 170

Stroke (mm) _____ 1335

SWING

Swing Motor _____ Fixed displacement axial piston motor

Maximum swing speed (min⁻¹) _____ 9.1

Swing torque (Nm) _____ 150000

FILTERS

Suction filter (µm) _____ 105

Return filter (µm) _____ 6

Pilot line filter (µm) _____ 8

ELECTRICAL SYSTEM

Voltage (V) _____ 24

Alternator (Amp) _____ 50

Starter (V/kW) _____ 24/5.5

Battery _____ 2 X 12 V - 128 Ah/5HR

UNDERCARRIAGE

Travel motor _____ Variable displacement axial piston motor

Travel speeds

High (km/h - automatic travel speed shifting) _____ 5.3

Low (km/h) _____ 3.2

Drawbar pull (kN) _____ 339

(Fixed sideframe undercarriage)

Number of carrier rollers

Fixed sideframe undercarriage _____ 2 (each side)

Retractable sideframe undercarriage _____ 3 (each side)

Number of track rollers (each side) _____ 9

Number of shoes (each side) _____ 50

SOUND LEVEL

External guaranteed sound level

(EU Directive 2000/14/EC) _____ LwA 105 dB(A)

Operator cab sound pressure level (ISO 6396) _____ LpA 70 dB(A)

CIRCUIT AND COMPONENT CAPACITIES

Fuel tank (l) _____ 650

Hydraulic system (l) _____ 460

Hydraulic tank (l) _____ 230

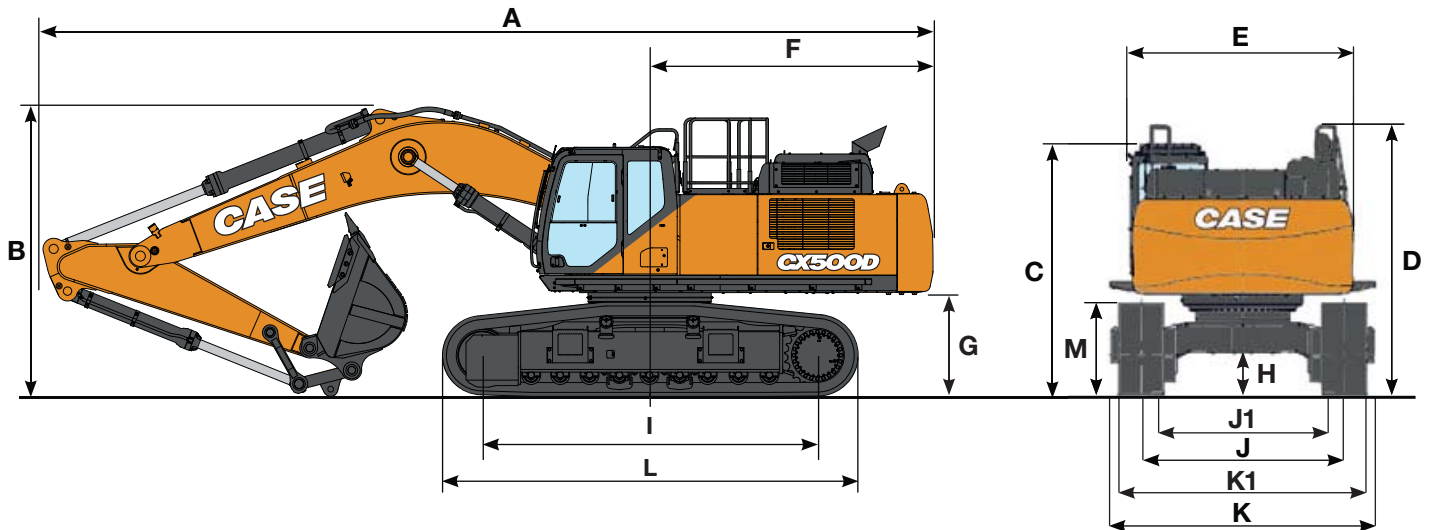
Adblue tank (l) _____ 152

WEIGHT AND GROUND PRESSURE

(With 2.53 m arm, 3.0 m³ bucket, 600 mm grouser shoes, operator, lubricant, coolant, full fuel tank and FOPS protection level 2.)

CX500D ME	FIXED SIDEFRAME UNDERCARRIAGE	RETRACTABLE SIDEFRAME UNDERCARRIAGE
Weight	49600 kg	51000 kg
Ground Pressure	0.085 MPa	0.087 MPa
Counterweight	10000 kg	10000 kg

SPECIFICATIONS



GENERAL DIMENSIONS

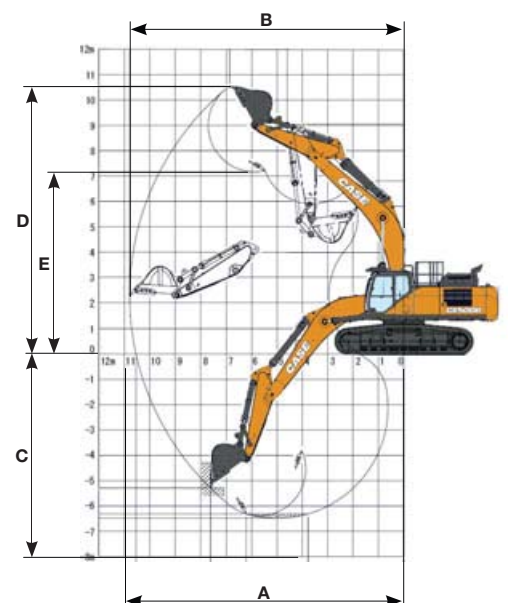
	mm	FIXED SIDEFAME UNDERCARRIAGE	RETRACTABLE SIDEFAME UNDERCARRIAGE
		Arm 2.50 m	Arm 2.50 m
Overall length (without attachment)	mm	6450	6450
A Overall length (with attachment)	mm	11680	11660
B Overall height (with attachment)	mm	3800	3840
C Cab height	mm	3400	3550
D Overall height (to top of guardrail)	mm	3650	3800
Upper structure overall width (without catwalks)	mm	3060	3060
E Upper structure overall width (with catwalks)	mm	3590	3590
F Swing (rear end) radius	mm	3730	3730
G Clearance height under upper structure	mm	1330	1480
H Minimum ground clearance	mm	535	720
I Wheel base (center to center of wheels)	mm	4400	4400
L Crawler overall length	mm	5450	5450
M Crawler tracks height	mm	1240	1220
J Track gauge (extended)	mm	2750	2890
J1 Track gauge (retracted)	mm	-	2390
K Undercarriage overall width (extended with 600 mm shoes)	mm	3350	3490
K1 Undercarriage overall width (retracted with 600 mm shoes)	mm	-	2990

PERFORMANCE DATA

	mm	FIXED SIDEFAME UNDERCARRIAGE	RETRACTABLE SIDEFAME UNDERCARRIAGE
		Arm 2.50 m	Arm 2.50 m
Boom length	mm	6550	6550
Bucket radius	mm	1840	1840
Bucket wrist action	°	160	160
A Maximum reach at GRP	mm	10550	10520
B Maximum reach	mm	10800	10800
C Max. digging depth	mm	6490	6340
D Max. digging height	mm	10550	10700
E Max. dumping height	mm	7160	7310

DIGGING FORCE (ISO 6015)

		Arm 2.50 m
Arm digging force	kN	245
with Auto power boost	kN	267
Bucket digging force	kN	287
with Auto power boost	kN	313



LIFTING CAPACITY

CX500D ME

Front Side	REACH				m
	4.0 m	6.0 m	8.0 m	At max reach	

LC - 2.50 m length, 600 mm shoes. Max reach 8.96 m

REACH	4.0 m	6.0 m	8.0 m	At max reach	Capacity (kg)	Capacity (kg)	Capacity (kg)	
8.0 m					13450*	13450*	6.86	
6.0 m		14610*	14610*	12740*	10650	12690*	10330	8.14
4.0 m		16760*	15730	13240*	10310	12460*	8920	8.79
2.0 m		18590*	14730	13880*	9900	12430*	8450	8.95
0 m		18800*	14250	13780*	9650	12410*	8720	8.65
-2.0 m	23000*	23000*	16970*	14250		12100*	10000	7.84
-4.0 m	16220*	16220*	11620*	11620*		10540*	10540*	6.31

Front Side	REACH				m
	4.0 m	6.0 m	8.0 m	At max reach	

RTC - 2.50 m length, 600 mm shoes. Max reach 8.96 m

REACH	4.0 m	6.0 m	8.0 m	At max reach	Capacity (kg)	Capacity (kg)	Capacity (kg)	
8.0 m					13450*	12930	6.86	
6.0 m		14610*	14610*	12740*	9920	12690*	9630	8.14
4.0 m		16760*	14610	13240*	9590	12460*	8290	8.79
2.0 m		18590*	13620	13880*	9180	12430*	7840	8.95
0 m		18800*	13150	13780*	8940	12410*	8080	8.65
-2.0 m	23000*	23000*	16970*	13150		12100*	9270	7.84
-4.0 m	16220*	16220*	11620*	11620*		10540*	10540*	6.31

CX500D LC

ROCK BUCKET (DIRECT MOUNT)

CAPACITY (ISO7451 HEAPED)	WIDTH	WEIGHT	ARM 2.50 m
1.75 m ³	1350 mm	2270 kg	○
2.00 m ³	1500 mm	2380 kg	○
2.33 m ³	1700 mm	2500 kg	○
2.50 m ³	1800 mm	2640 kg	⊙
2.78 m ³	2000 mm	2900 kg	●

XTREME ROCK BUCKET (DIRECT MOUNT)

CAPACITY (ISO7451 HEAPED)	WIDTH	WEIGHT	ARM 2.50 m
1.75 m ³	1350 mm	2450 kg	○
2.00 m ³	1500 mm	2570 kg	○
2.33 m ³	1700 mm	2700 kg	○
2.50 m ³	1800 mm	2850 kg	⊙

CX500D RTC

ROCK BUCKET (DIRECT MOUNT)

CAPACITY (ISO7451 HEAPED)	WIDTH	WEIGHT	ARM 2.50 m
1.75 m ³	1350 mm	2270 kg	○
2.00 m ³	1500 mm	2380 kg	○
2.33 m ³	1700 mm	2500 kg	○
2.50 m ³	1800 mm	2640 kg	⊙
2.78 m ³	2000 mm	2900 kg	●

XTREME ROCK BUCKET (DIRECT MOUNT)

CAPACITY (ISO7451 HEAPED)	WIDTH	WEIGHT	ARM 2.50 m
1.75 m ³	1350 mm	2450 kg	○
2.00 m ³	1500 mm	2570 kg	○
2.33 m ³	1700 mm	2700 kg	○
2.50 m ³	1800 mm	2850 kg	⊙
2.78 m ³	2000 mm	3150 kg	●

○ Rated material density up to 2 ton/m³ ⊙ Rated material density up to 1.8 ton/m³ ● Rated material density up to 1.6 ton/m³

* The above loads (kg) are compliant to the ISO standards and refer to the excavator equipped without bucket. The indicated loads are no more than 87% of hydraulic system lift capacity or 75% of static tipping load. Values marked with an asterisk (*) are limited by the hydraulic lifting capacity.



www.casece.com

EXPERTS FOR THE REAL WORLD
SINCE 1842

CASE
CONSTRUCTION



Form No. 20137GB - MediaCross Firenze - 03/18

**CNH INDUSTRIAL
DEUTSCHLAND GMBH**
Case Baumaschinen
Benzstr. 1-3 - D-74076 Heilbronn
DEUTSCHLAND

CNH INDUSTRIAL FRANCE, S.A.
16-18 Rue des Rochettes
91150 Morigny-Champigny
FRANCE

CNH INDUSTRIAL - UK
First Floor, Barclay Court 2,
Heavens Walk,
Doncaster - DN4 5HZ
UNITED KINGDOM

CNH INDUSTRIAL - SOUTH AFRICA
Waterfall Business Park
Bekker Street, Howick Close
1685 Midrand - Johannesburg
REPUBLIC OF SOUTH AFRICA

**CNH INDUSTRIAL
MAQUINARIA SPAIN, S.A.**
Avda. José Gárate, 11
28823 Coslada (Madrid)
ESPAÑA

CNH INDUSTRIAL ITALIA SPA
Strada di Settimo, 323
10099 San Mauro Torinese (TO)
ITALIA

**CASE CUSTOMER CENTRE
PARIS**
RN 330 - Penchard
77122 - Monthyon
FRANCE

CNH INDUSTRIAL - MIDDLE EAST
DAFZA - Dubai Airport Free Zone
West Wing 4 B, Office 642
P.O. Box 54588, Dubai,
UNITED ARAB EMIRATES

NOTE: Standard and optional fittings can vary according to the demands and specific regulations of each country. The illustrations may include optional rather than standard fittings - consult your Case dealer. Furthermore, CNH Industrial reserves the right to modify machine specifications without incurring any obligation relating to such changes.

Conforms to directive 2006/42/EC

CASE
00800-2273-7373

The call is free from a land line.
Check in advance with your Mobile Operator if you will be charged. Toll free number not available from all calling areas.

