

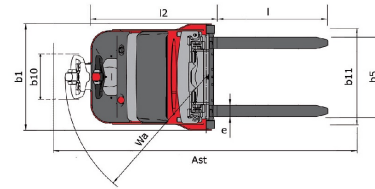
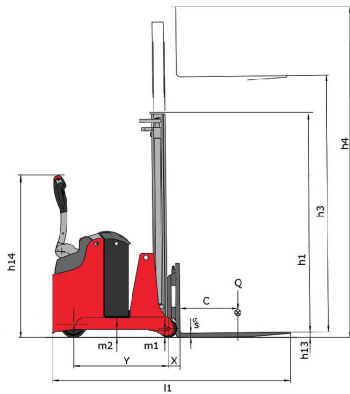
Technical sheet :

ES 507 GPF - ES-C 507



Technical characteristics			Metric
1.1	Manufacturer		Manitou
1.2	Model Name		ES 507 GPF - ES-C 507
1.3	Power source		Battery
1.4	Operator type		Pedestrian
1.5	Max. capacity	Q	700 kg
1.6	Load centre of gravity	c	400 mm
1.8	Distance from Load backrest to center of rear axle	x	101 mm
1.9	Wheelbase	y	932 mm
Weight			
2.1	Service weight		1250 kg
2.2	Weight on front axle (laden) / rear axle (laden)		1893 kg / 307 kg
2.3	Weight on front axle (Unladen) / rear axle (Unladen)		820 kg / 680 kg
Wheels			
3.1	Tyres type		Polyurethane
3.5.2	Number of drive wheels - Size of drive wheels		1 x 230x70
3.3	Number of load wheels - Size of load wheels		2 x 150x70
3.5	Number of front wheels / rear wheels		1 / 2
3.7	Rear wheel gauge	b11	826 mm
Dimensions			
4.2	Mast height lowered	h1	1931 mm
4.4	Mast lifting height *	h3	2850 mm
4.5	Mast height extended	h4	3500 mm
4.9	Height tiller up min. / max.	h14 / h14	830 mm / 1385 mm
4.15	Fork height in low position	h13	35 mm
4.19	Overall length	l1	2013 mm
4.20	Length to face of forks	l2	1213 mm
4.21	Overall width	b1	923 mm
4.22	Forks section / width / length	s / e / l	30 mm x 90 mm / 800 mm
4.23	Fork carriage ISO 2328 (class/form) A/B		2B
4.24	Fork carriage width	b3	750 mm
4.31	Ground clearance below mast	m1	60 mm
4.32	Ground clearance at centre of wheelbase	m2	69 mm
4.34	Aisle width for 800 x 1200 pallet lengthways	Ast	2891 mm
4.35	Turning radius	Wa	1335 mm
Performances			
5.1	Travel speed (laden / unladen)		4.50 km/h / 4.50 km/h
5.2	Lifting speed (laden / unladen)		0.30 m/s / 0.18 m/s
5.3	Lowering speed (laden / unladen)		0.22 m/s / 0.27 m/s
5.7	Gradeability (laden / unladen)		7 % / 10 %
5.10	Service brake		Electro magnetic
Engine			
6.1	Drive motor rating S2 60 min		1.50 kW
6.2	Lift motor rating at S3 15%		3 kW
6.3	Battery according to DIN 43531/35/36 A, B, C		DIN 43535-B
6.4	Battery / Batteries capacity		24 V - 180 Ah
6.5	Battery weight (+/- 5%)		189 kg
Miscellaneous			
8.1	Type of drive control		AC
8.4	Sound level at the driver's ear according to DIN 12 053		65 dB(A)

Dimensional drawing



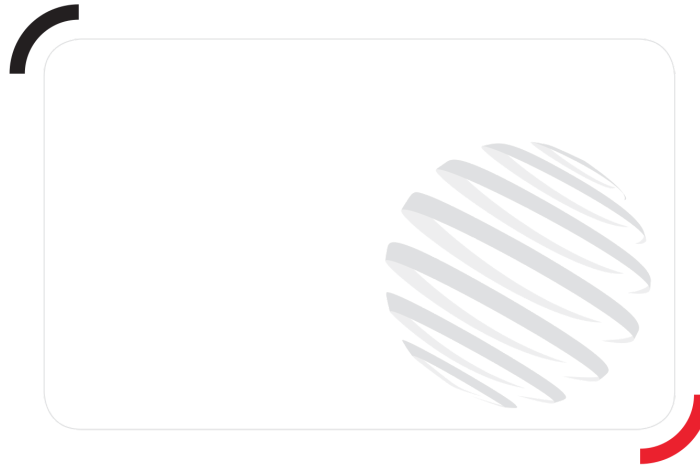
Characteristics of masts and residual capacities

Central Cylinder Simplex		CCS 15	CCS 17
h2 - Free lift	mm	1420	1670
h1 - Height mast lowered *	mm	1931	2181
h3 - Lifting Height	mm	1420	1670
h4 - Height mast extended *	mm	2070	2320
Residual capacity without attachment (Industrial load chart)	kg	700	700

Full Visibility Duplex		FVD 29	FVD 34	FVD 38
h1 - Height mast lowered *	mm	1931	2181	2381
h3 - Lifting Height	mm	2850	3350	3750
h4 - Height mast extended *	mm	3500	4000	4400
Residual capacity without attachment (Industrial load chart)	kg	700	700	600

Free Lift Duplex		FLD 29	FLD 34
h2 - Free lift	mm	1420	1670
h1 - Height mast lowered *	mm	1931	2181
h3 - Lifting Height	mm	2850	3350
h4 - Height mast extended *	mm	3500	4000
Residual capacity without attachment (Industrial load chart)	kg	700	700

Free Lift Triplex		FLT 42
h2 - Free lift	mm	1380
h1 - Height mast lowered *	mm	1956
h3 - Lifting Height	mm	4160
h4 - Height mast extended *	mm	4810
Residual capacity without attachment (Industrial load chart)	kg	500



Siège Social

430 rue de l'Aubinière - 44150 Ancenis Cedex - France

Tel: +33(0)2 40 09 10 11 - Fax: +33 (0)2 40 09 10 97

www.manitou.com



This brochure describes versions and configuration options for Manitou products which may be fitted with different equipment. The equipment described in this brochure may be standard, optional or not available depending on version. Manitou reserves the right to change the specifications shown and described at any time and without prior warning. The manufacturer is not liable for the specifications given. For more information, contact your Manitou dealer. Non-contractual document. Product descriptions may differ from actual products. List of specifications is not comprehensive. The logos and visual identity of the company are the property of Manitou and may not be used without authorisation. All rights reserved. The photos and diagrams contained in this brochure are provided for information only.

MANITOU BF SA - Limited company with board of directors - Share capital: 39,668,399 euros - 857 802 508 RCS Nantes