

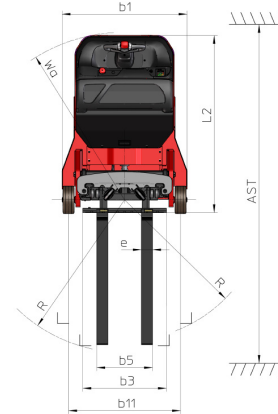
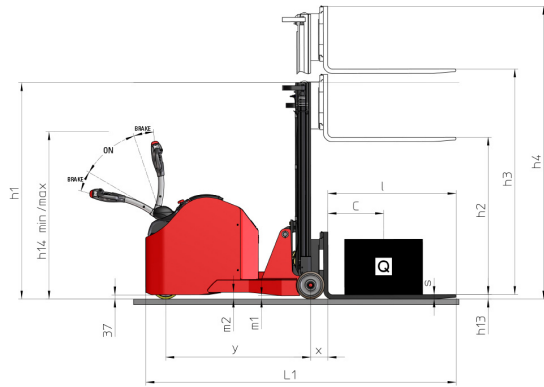
Technical sheet :

ES-C 716



Technical characteristics			Metric
1.1	Manufacturer		Manitou
1.2	Model Name		ES-C 716
1.3	Power source		Battery
1.4	Operator type		Pedestrian
1.5	Max. capacity	Q	1600 kg
1.6	Load centre of gravity	c	500 mm
1.8	Distance from Load backrest to center of rear axle	x	157 mm
1.9	Wheelbase	y	1470 mm
Weight			
2.1	Service weight		2400 kg
2.2	Weight on front axle (laden) / rear axle (laden)		520 kg / 3460 kg
Wheels			
3.1	Tyres type		Polyurethane
3.5.2	Number of drive wheels / Size of drive wheels		1x254x100
3.3	Number of load wheels / Size of load wheels		2 / 250x100
3.5	Number of front wheels / rear wheels		1 / 2
3.7	Rear wheel gauge	b11	1003 mm
Dimensions			
4.2	Height mast lowered *	h1	1955 mm
4.3	Free lift	h2	1420 mm
4.4	Lifting Height	h3	2840 mm
4.5	Height mast extended *	h4	3455 mm
4.6	Initial lift	h5	1420 mm
4.9	Height tiller up min. / max.	h14 / h14	1088 mm / 1308 mm
4.15	Fork height in low position	h13	45 mm
4.19	Overall length	l1	2790 mm
4.20	Length to face of forks	l2	1640 mm
4.21	Overall width	b1	1120 mm
4.22	Forks section / width / length	s / e / l	40 mm / 100 mm / 1150 mm
4.24	Fork carriage width	b3	750 mm
4.31	Ground clearance below mast	m1	31 mm
4.32	Ground clearance at centre of wheelbase	m2	62 m
4.33	Aisle Width for pallets 1000 x 1200 crossways	Ast	3128 mm
4.35	Turning radius	Wa	1660 mm
Performances			
5.1	Travel speed (laden / unladen)		6 km/h / 6 km/h
5.2	Lifting speed (laden / unladen)		0.11 m/s / 0.20 m/s
5.3	Lowering speed (laden / unladen)		0.22 m/s / 0.21 m/s
5.8	Max Gradeability (laden / unladen)		5 % / 8 %
5.10	Service brake		Electro magnetic
Engine			
6.1	Drive motor rating S2 60 min		2 kW
6.2	Lift motor rating at S3 15%		4 kW
6.3	Battery according to DIN 43531/35/36 A, B, C		DIN 43535-B
6.4	Battery / Batteries capacity		24 V / 315 Ah
6.4.1	Battery max capacity		375 A
6.5	Battery weight (+/- 5%)		275 kg
6.5.1	Battery Max Weight		300 kg
Miscellaneous			
8.1	Type of drive control		AC
8.4	Sound level at the driver's ear according to DIN 12 053		65 dB(A)

Dimensional drawing



Characteristics of masts and residual capacities

Central Cylinder Duplex		CCD 29	CCD 34	CCD 38
h3 - Mast lifting height *	mm	2900	3400	3800
h2 - Mast free lift *	mm	1420	1420	1420
h1 - Mast height lowered	mm	1955	2205	2405
h4 - Mast height extended	mm	3400	3960	4360
Residual capacity at max height	kg	1600	1600	1250

Central Cylinder Simplex		CCS 15	CCS 17
h3 - Mast lifting height *	mm	1500000	1700
h2 - Mast free lift *	mm	1420	1420
h1 - Mast height lowered	mm	1955	2205
h4 - Mast height extended	mm	2030000	2280
Residual capacity at max height	kg	1600	1600

Free Lift Duplex		FLD 29	FLD 34
h3 - Mast lifting height *	mm	2900	3400
h2 - Mast free lift *	mm	1420	1420
h1 - Mast height lowered	mm	1955	2205
h4 - Mast height extended	mm	3460000	3960000
Residual capacity at max height	kg	1600	1600

Free Lift Triplex		FLT 42	FLT 47	FLT 54
h3 - Mast lifting height *	mm	4200	4700	5400
h2 - Mast free lift *	mm	1420	1420	1420
h1 - Mast height lowered	mm	1915	2075	2315
h4 - Mast height extended	mm	4770	5250	5980000
Residual capacity at max height	kg	1050	850	650



Siège Social

430 rue de l'Aubinière - 44150 Ancenis Cedex - France

Tel: +33(0)2 40 09 10 11 - Fax: +33 (0)2 40 09 10 97

www.manitou.com



This brochure describes versions and configuration options for Manitou products which may be fitted with different equipment. The equipment described in this brochure may be standard, optional or not available depending on version. Manitou reserves the right to change the specifications shown and described at any time and without prior warning. The manufacturer is not liable for the specifications given. For more information, contact your Manitou dealer. Non-contractual document. Product descriptions may differ from actual products. List of specifications is not comprehensive. The logos and visual identity of the company are the property of Manitou and may not be used without authorisation. All rights reserved. The photos and diagrams contained in this brochure are provided for information only.

MANITOU BF SA - Limited company with board of directors - Share capital: 39,668,399 euros - 857 802 508 RCS Nantes