

EXD 18 Technical Data High Lift Pallet Truck for Double Deck Operation

EXD 18



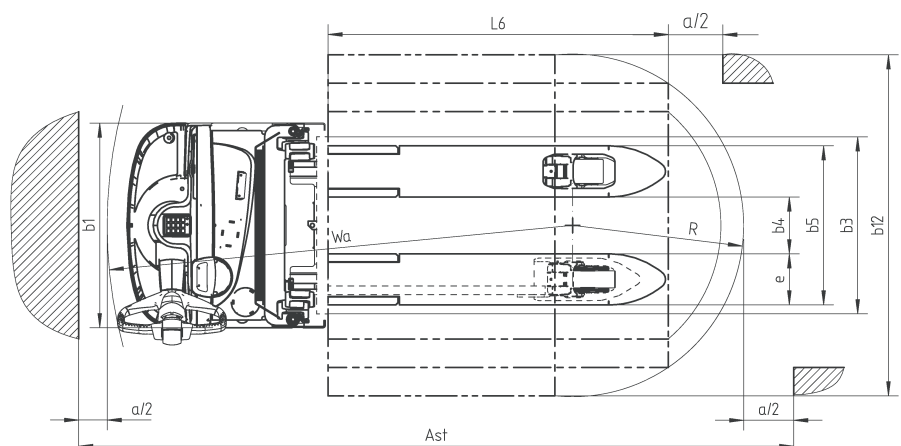
This specification sheet, which conforms to VDI guideline 2198, provides the technical values for the standard equipment only. Different tyres, other masts, the use of accessories, etc. may result in other values.

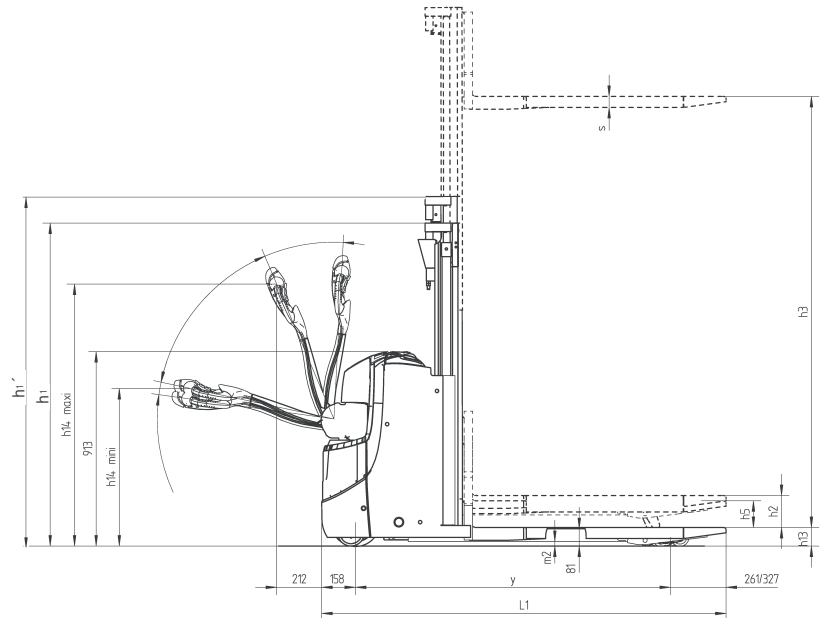
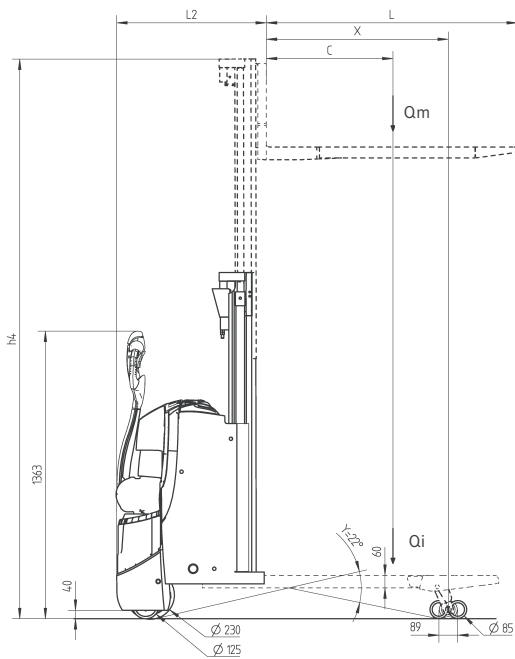
Distinguishing marks	1.1	Manufacturer				STILL	STILL	
	1.2	Manufacturer's type designation				EXD 18 K	EXD 18 L	
	1.3	Drive				Electric	Electric	
	1.4	Operator type				Pedestrian	Pedestrian	
	1.5.1	Load capacity/load	As a double decker	Qi + Qm	kg	1000 + 800	1000 + 800	
	1.5.2	Load capacity/load	Initial lift	Qi	kg	1800	1800	
	1.5.3	Load capacity/load	Mast lift	Qm	kg	800	800	
	1.6	Load centre distance		c	mm	600	600	
	1.8	Load spacing		x	mm	862 ²	858 ²	
1.9	Wheel base		y	mm	1413 ²	1463 ²		
Weight	2.1	Empty weight (incl. battery)			kg	854	948	
	2.2	Axle weight with load	Drive side/load side		kg	938/1716	949/1799	
	2.3	Axle weight without load	Drive side/load side		kg	615/239	674/274	
Wheels/chassis	3.1	Tyres				Polyurethane	Polyurethane	
	3.2	Tyre size	Drive side		mm	∅ 230 x 75	∅ 230 x 75	
	3.3	Tyre size	Load side		mm	∅ 85 x 85	∅ 85 x 60	
	3.4	Supporting rollers	Drive side		mm	∅ 125 x 40	∅ 125 x 40	
	3.5	Wheels, number (x = driven)	Drive side/load side				1x-2/2	1x-2/4
	3.6	Track width	Drive side	b ₁₀	mm	482	482	
	3.7	Track width	Load side	b ₁₁	mm	380	380	
Basic dimensions	4.2	Height of mast when retracted		h ₁	mm	1290	1290	
	4.3	Free lift		h ₂	mm	150	150	
	4.4	Lift		h ₃	mm	1574	1574	
	4.5	Height of mast when extended		h ₄	mm	2202	2202	
	4.6	Initial lift		h ₅	mm	125	125	
	4.9	Height of tiller arm in the running position	Min./max.	h ₁₄	mm	740/1230	740/1230	
	4.10	Height of wheel arms		h ₈	mm	80	80	
	4.15	Height when lowered		h ₁₃	mm	86	86	
	4.19	Total length		l ₁	mm	1899	1954	
	4.20	Length including fork backs		l ₂	mm	709	764	
	4.21	Total width		b ₁	mm	720	720	
	4.22	Prong dimensions DIN ISO 2331		s/e/l	mm	52/180/1190	52/180/1190	
4.24	Fork carriage width		b ₃	mm	711	711		
4.25	Distance between fork arms		b ₅	mm	560	560		
4.32	Ground clearance centre wheel base	Min./max.	m ₂	mm	20/145	20/145		
4.34	Working aisle width with 800 x 1200 pallet lengthwise (b ₁₂ x l ₆)		A _{st}	mm	2179 ^{1,2}	2233 ^{1,2}		
4.35	Turning radius		W _a	mm	1641 ²	1691 ²		
Performance data	5.1	Travel speed	With/without load		km/h	6/6	6/6	
	5.2	Lifting speed	Main lift, with/without load		m/s	0.10/0.15	0.10/0.15	
	5.3	Lowering speed	Main lift, with/without load		m/s	0.25/0.17	0.25/0.17	
	5.7	Climbing ability	With/without load		%	13/25	13/25	
	5.10	Service brake				Electromagnetic	Electromagnetic	
Electric engine	6.1	Drive motor, output with S2 60 min			kW	1.2	1.2	
	6.2	Lifting motor, output with S3 15%			kW	1.2	1.2	
	6.3	Battery according to DIN 43531/35/36 A, B, C, no				DIN 43535 A	DIN 43535	
	6.4	Battery voltage/nominal capacity K ₅			V/Ah	24/150	24/250	
	6.5	Battery weight ±5% (dependant on manufacturer)			kg	157	212	
	6.6	Energy consumption acc. to VDI cycle			kWh/h	0.61	0.61	
Misc.	10.7	Sound pressure level L _{DAZ} (operator's position)			dB(A)	65	65	

¹ Diagonal acc. to VDI 2198-2011 = +186 mm.

² Initial lift lowered: +66 mm.

Mast	Tele		
h ₁	1290	1365	1515
h ₁ '	1365	1440	1590
h ₂	150	150	150
h ₃	1574	1724	2024
h ₄	2202	2352	2652





EXD 18 – Twice the flexibility and efficiency

The EXD 18, a pedestrian high lift pallet truck guided by a tiller, offers flexibility and can be used to transport goods twice as efficiently – making it a truly outstanding product. It can lift up to 1800 kg using the initial lift, but in double decker mode, it is capable of handling 1000 kg with the initial lift function plus up to another 800 kg with the fork lift function. Want to transport two pallets at once? With the EXD 18 that's no problem!

Whether used at a retail outlet, in a warehouse or on a lorry and whether used for picking orders or for loading and unloading, the EXD 18 will shine in all kinds of environments. Firstly, its compact dimensions and well-thought-out ergonomic design make it extremely manoeuvrable and just as easy to operate whether you are left or right-handed. Secondly, with its high-quality workmanship and powerful drive, it will provide you with many years of faithful service as the perfect high-performing warehouse assistant. The compact EXD 18 K is ideal for narrow aisles or for taking along with you when you want to load and unload lorries efficiently. Meanwhile, the EXD 18 L really comes into its own in large warehouses and distribution centres thanks to its extremely large battery capacity.

Special features of the truck

- Easy-grip tiller for left and right-handed operators, protection class IP 65.
- Tiller head made from glass fibre reinforced polyurethane, tiller arm made from cast aluminium.
- Rounded, extremely compact chassis.
- Cannot roll backwards on ramps in an uncontrolled manner, because all rolling motion is monitored and there is automatic braking.
- Sensitive lifting control thanks to the large buttons and proportional valve.
- The extremely low fork height of 86 mm means they can be inserted into special load carriers.
- Pointed prongs ensure a small turning radius and support very narrow working aisle widths.
- IntelliDrive stability system for optimum traction in any situation.
- Rigid and robust mast, minimal bowing under load.

Standard equipment

- AC drive motor.
- The two driving programs, ECO and BOOST, allow you to adjust the output and energy efficiency and also enable high-precision lifting and lowering.
- OPTISPEED: Controls the travel speed in accordance with the tiller angle for maximum safety.
- Polyurethane load rollers with dual tyres (EXD 18 L).
- Polyurethane load rollers with single tyres (EXD 18 K).
- Clear view mast.
- Fork length: 1190 mm.

Special equipment

- Different mast types for lift heights of 1574 mm, 1724 mm or 2024 mm.
- Protective mast screen made from transparent polycarbonate.
- Distance between fork arms: 560 mm or 540 mm.
- Load protection grid with a height of 800 mm.
- Drive wheel available in various versions for optimum traction and clean floors (soft polyurethane, natural-coloured, profiled).
- Guide roller and push rod axles with lubricators for damp environments.
- Integrated on-board charger.
- Cold storage version for temperatures down to -35°C .
- Access control via PIN code.

STILL



STILL Materials Handling Ltd
Aston Way
Leyland Preston
PR26 7UX
Tel.: +44 (0)845 603 6827
Fax: +44 (0)1772 454668

STILL Materials Handling Ltd
19 Hennock Road
Marsh Barton Trading Estate
Exeter
EX2 8RU
Tel.: +44 (0)1392 435151
Fax: +44 (0)1392 824328
info@still.co.uk
For further information please visit:
www.still.co.uk



STILL is certified in the following areas: Quality management, occupational safety, environmental protection and energy management.



first in intralogistics