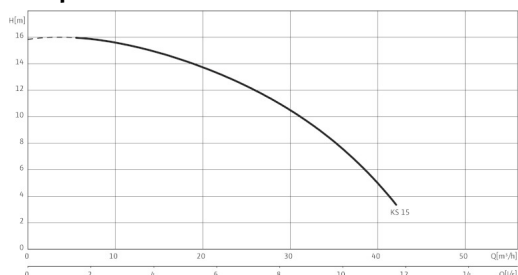


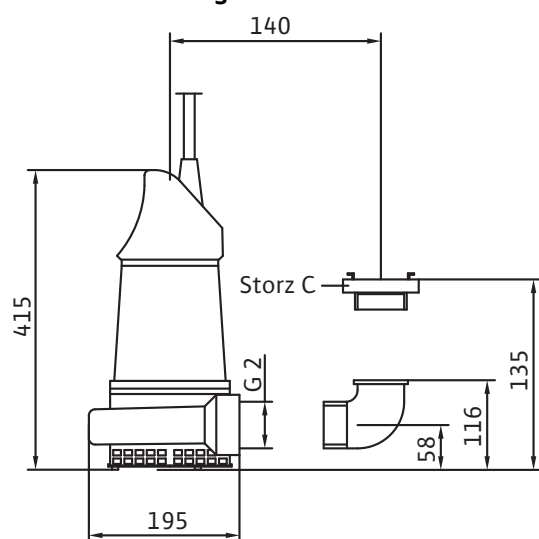
Data sheet: Wilo-EMU KS 15 DS

Pump curves Wilo-EMU KS 15 - 50 Hz - 2900 rpm



Pump curves in accordance with ISO 9906, Appendix A

Dimension drawing Wilo-EMU KS 15



Unit

Max. delivery head	H_{max}	15 m
Max. volume flow	Q_{max}	42 m ³ /h
Optimal delivery head	H_{opt}	12 m
Optimum volume flow	Q_{opt}	26 m ³ /h
Pressure connection	G 2	
Flange (in accordance with EN 1092-2)	PN	10
Free ball passage	10 mm	
Operating mode (immersed)	S1	
Operating mode (non-immersed)	S1	
Max. immersion depth	12.5000 m	
Protection class	IP 68	
Fluid temperature	T	+3 ... +40 °C
Weight approx.	m	25 kg

Motor data

Mains connection	3~400 V, 50 Hz	
Nominal current	I_N	3.20 A
Nominal motor power	P_2	1.30 kW
Power consumption	P_1	1.90 kW
Activation type	Direct	
Nominal speed	n	2900 rpm
No. of poles	2	
Insulation class	F	
Max. switching frequency	15 1/h	

Cable

Length of connecting cable	10 m	
Cable type	H07RN-F	
Cable cross-section	4G1,5 mm ²	
Type of connecting cable	Detachable	
Mains plug	CEE M 16 WDSHA	

Equipment/function

Float switch	•
Motor protection	-
Explosion protection	-

Materials

Static seal	FPM
Impeller	EN-GJL-250

Data sheet: Wilo-EMU KS 15 DS

Sealing on motor side	C/Al-oxides
Mechanical seal	SiC/SiC
Motor housing	G-Al Si12
Pump housing	EN-GJL-250

Information for order placements

Make	Wilo
Art no.	6019784
EAN number	4044966092477
Ready for delivery	Stock
Price group	W8