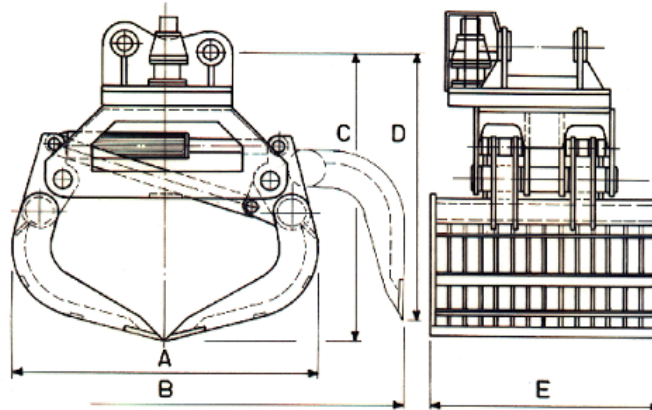




Verdelli International Srl

EQUIPMENT AND SPARE PARTS
LIFTING, PILING, EARTHMOVING MACHINERY
DEMOLITION TOOLS

DEMOLITION CLAMSHELL



MODEL	OIL PRESSURE	EXCAV WEIGHT	OIL FLOW	LOCKUP POWER	WEIGHT	DIMENSIONS				
	Bar	Ton.	Lt	Ton.	Kg.	A	B	C	D	E
M.I.D. 3	280	3,6-4,4	30	2	350	800	1650	1250	1050	520
M.I.D. 5	280	5,5,-8,5	80	5	500	850	1700	1300	1150	600
M.I.D. 8	300	dic-14	120	8	850	1000	1850	1350	1300	700
M.I.D. 12	320	dic-16	150	10	1200	1200	1950	1400	1350	900
M.I.D. 16	320	16-20	180	10	1600	1400	2000	1500	1420	1050
M.I.D. 20	320	18-24	200	15	2000	1400	2100	1700	1620	1150
M.I.D. 25	320	22-26	220	15	2500	2150	2150	1900	1750	1500