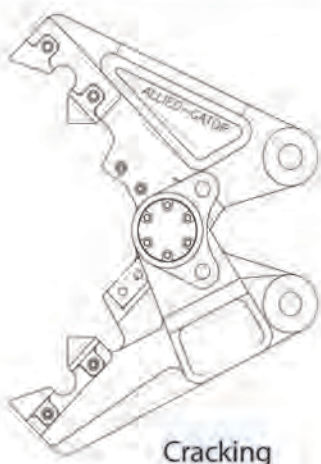
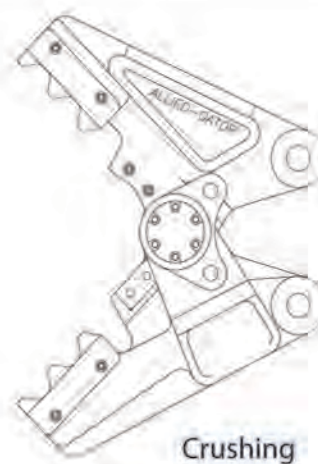


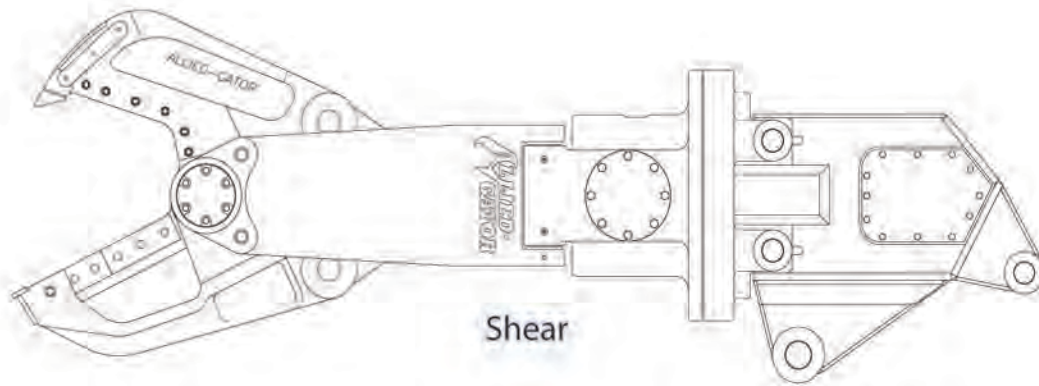
Allied-Gator MT[®] 5 Multi-Tool

Model:	MTR 5 S (Shear)	MTR 5 C (Cracker/Crusher)
Weight (rotating)**	800 lbs.	800 lbs.
Jaw Opening	10"	18"
Jaw Depth	10"	12.5"
Front of Jaw Width	2.5" knife, 6.75" anvil	2.5" cracker, 4" crusher
Throat Tonnage	140 tons of force	140 tons of force
Force (at apex)	76 tons cutting force	79 tons cutting force
Force (at tip)	28 tons piercing force	24 tons crushing force
Cycle Time Close*	1 second	1 second
Cycle Time Open*	2 seconds	2 seconds
Cycle Time Total*	3 seconds	2 seconds
Rotation Speed	adjustable	adjustable
Excavator Required (min.) Second Member Mount	5,000 lbs. and up	5,000 lbs. and up
Excavator Required (min.) Third Member Mount	10,000 lbs. and up	10,000 lbs. and up
*@ 20 GPM (min. recommended flow)	**Weights Subject to Adapter Design	U.S. and Foreign Patents Issued and Pending
Recommended rotational flow: 1,700 psi @ 5 GPM		



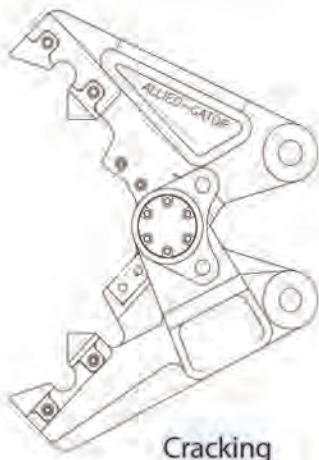
Concrete Processor



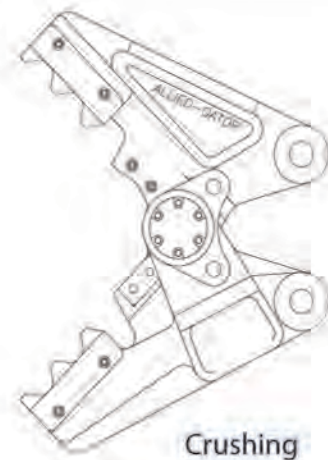


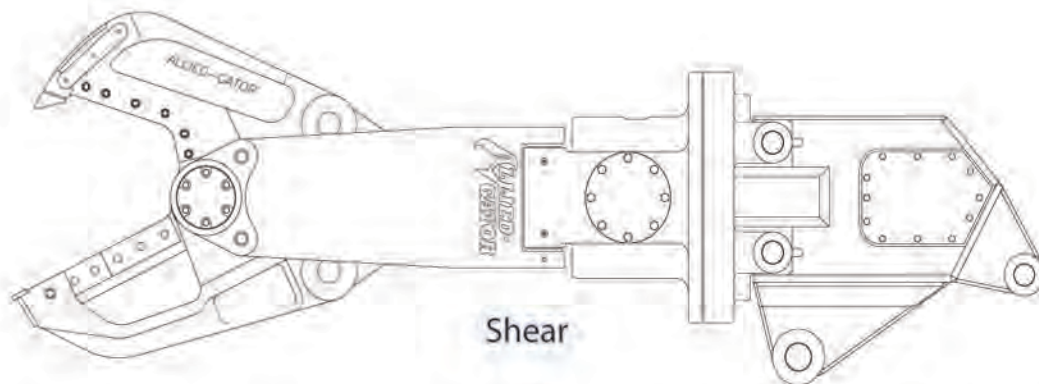
Allied-Gator® MT® 10 Multi-Tool

Model:	MTR 10 S (Shear)	MTR 10 C (Cracker/Crusher)
Weight (rotating)**	1,325 lbs.	1,325 lbs.
Jaw Opening	12"	21.25"
Jaw Depth	12"	14.5"
Front of Jaw Width	2.75" knife, 8" anvil	3" cracker, 4.75" crusher
Throat Tonnage	206 tons of force	206 tons of force
Force (at apex)	106 tons cutting force	117 tons cutting force
Force (at tip)	42 tons piercing force	36 tons crushing force
Cycle Time Close*	1 second	1 second
Cycle Time Open*	2 seconds	2 seconds
Cycle Time Total*	3 seconds	3 seconds
Rotation Speed	adjustable	adjustable
Excavator Required (min.) Second Member Mount	7,500 lbs. and up	7,500 lbs. and up
Excavator Required (min.) Third Member Mount	15,000 lbs. and up	15,000 lbs. and up
*@ 40 GPM (min. recommended flow)	**Weights Subject to Adapter Design	U.S. and Foreign Patents Issued and Pending
Recommended rotational flow: 1,700 psi @ 5 GPM		



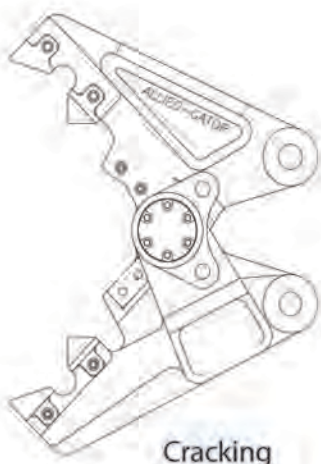
Concrete Processor



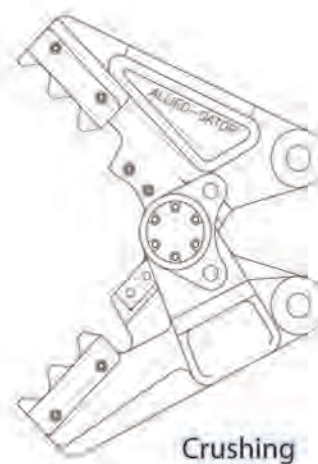


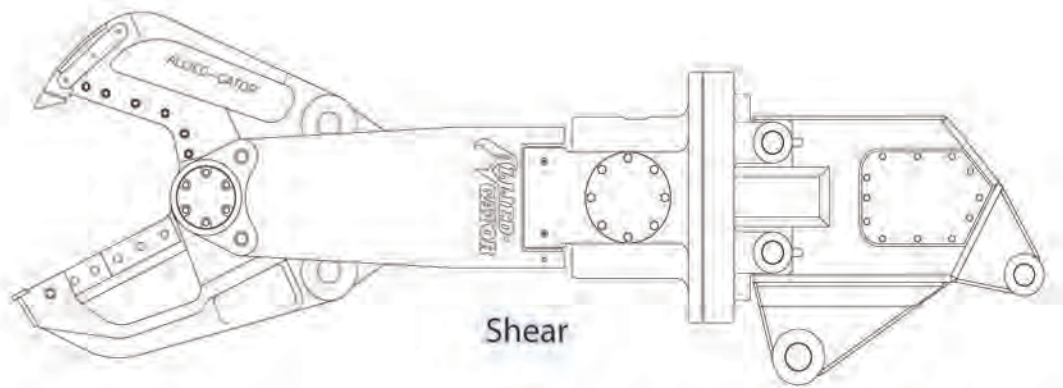
Allied-Gator® MT® 15 Multi-Tool

Model:	MTR 15 S (Shear)	MTR 15 C (Cracker/Crusher)
Weight (rotating)**	2,700 lbs.	2,700 lbs.
Jaw Opening	16"	27"
Jaw Depth	16"	18.5"
Front of Jaw Width	4" knife, 10" anvil	3.8" cracker, 5" crusher
Throat Tonnage	315 tons of force	315 tons of force
Force (at apex)	145 tons cutting force	170 tons cutting force
Force (at tip)	55 tons piercing force	51 tons crushing force
Cycle Time Close*	2 seconds	2 seconds
Cycle Time Open*	2 seconds	2 seconds
Cycle Time Total*	4 seconds	4 seconds
Rotation Speed	adjustable	adjustable
Excavator Required (min.) Second Member Mount	13,500 lbs. and up	13,500 lbs. and up
Excavator Required (min.) Third Member Mount	26,000 lbs. and up	26,000 lbs. and up
*@ 50 GPM (min. recommended flow) w/Allied-Gator Speed Circuit™ Technology	**Weights Subject to Adapter Design	U.S. and Foreign Patents Issued and Pending
Recommended rotational flow: 1,700 psi @ 5 GPM		



Concrete Processor

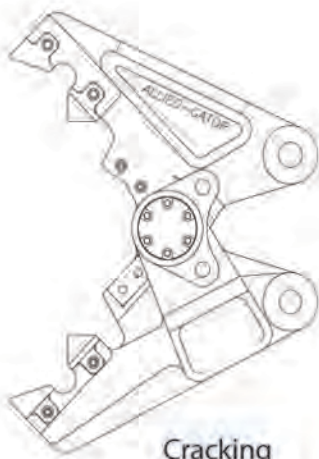




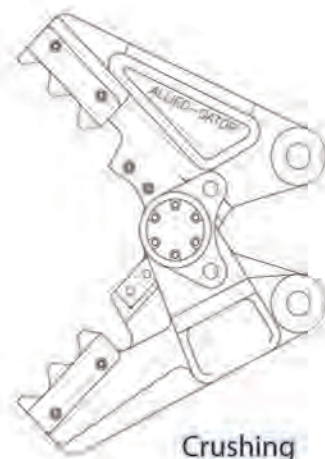
Allied-Gator® MT® 20 Multi-Tool

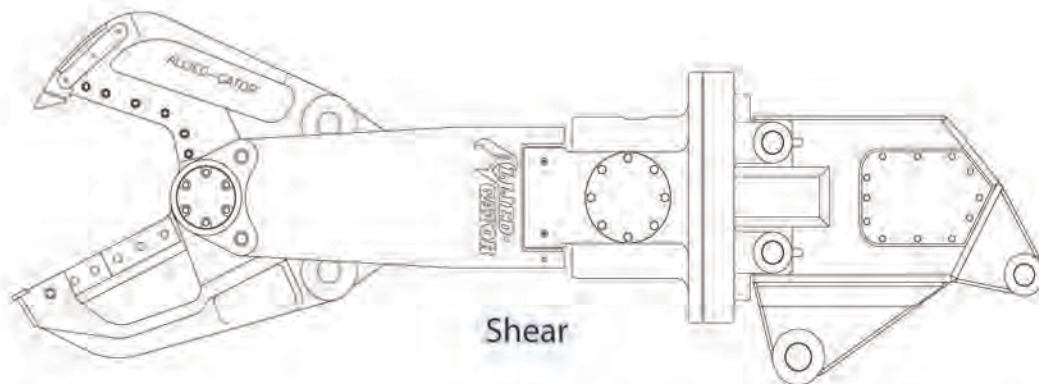
Model:	MTR 20 S (Shear)	MTR 20 C (Cracker/Crusher)
Weight (rotating)**	4,000 lbs.	4,000 lbs.
Jaw Opening	18"	31"
Jaw Depth	18"	21.5"
Front of Jaw Width	4" knife, 10" anvil	4.3" cracker, 5.5" crusher
Throat Tonnage	425 tons of force	425 tons of force
Force (at apex)	210 tons cutting force	246 tons cutting force
Force (at tip)	85 tons piercing force	76 tons crushing force
Cycle Time Close*	2 seconds	2 seconds
Cycle Time Open*	2 seconds	2 seconds
Cycle Time Total*	4 seconds	4 seconds
Rotation Speed	adjustable	adjustable
Excavator Required (min.) Second Member Mount	20,000 lbs. and up	20,000 lbs. and up
Excavator Required (min.) Third Member Mount	38,000 lbs. and up	38,000 lbs. and up
*@ 60 GPM (min. recommended flow) w/Allied-Gator Speed Circuit™ Technology	**Weights Subject to Adapter Design	U.S. and Foreign Patents Issued and Pending

Recommended rotational flow: 1,700 psi @ 5 GPM



Concrete Processor

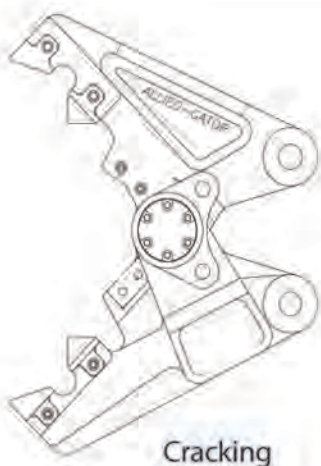




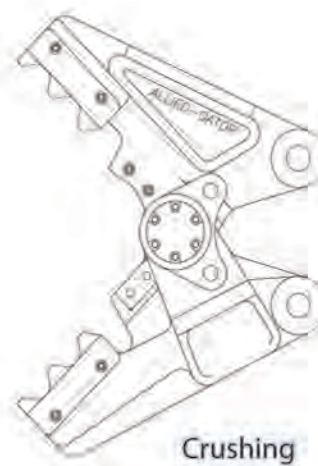
Allied-Gator® MT® 40 Multi-Tool

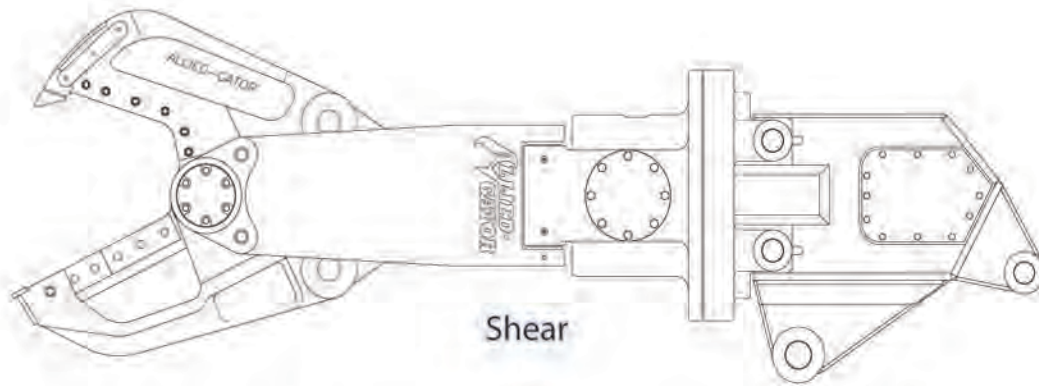
Model:	MTR 40 S (Shear)	MTR 40 C (Cracker/Crusher)
Weight (rotating)**	7,000 lbs.	7,000 lbs.
Jaw Opening	24"	38.75"
Jaw Depth	24"	27.38"
Front of Jaw Width	5" knife, 13.75" anvil	5.25" cracker, 7.25" crusher
Throat Tonnage	685 tons of force	685 tons of force
Force (at apex)	331 tons cutting force	400 tons cutting force
Force (at tip)	129 tons piercing force	117 tons crushing force
Cycle Time Close*	3 seconds	3 seconds
Cycle Time Open*	3 seconds	3 seconds
Cycle Time Total*	6 seconds	6 seconds
Rotation Speed	adjustable	adjustable
Excavator Required (min.) Second Member Mount	37,000 lbs. and up	37,000 lbs. and up
Excavator Required (min.) Third Member Mount	65,000 lbs. and up	65,000 lbs. and up
*@ 80 GPM (min. recommended flow) w/Allied-Gator Speed Circuit™ Technology	**Weights Subject to Adapter Design	U.S. and Foreign Patents Issued and Pending

Recommended rotational flow: 1,700 psi @ 5 GPM



Concrete Processor

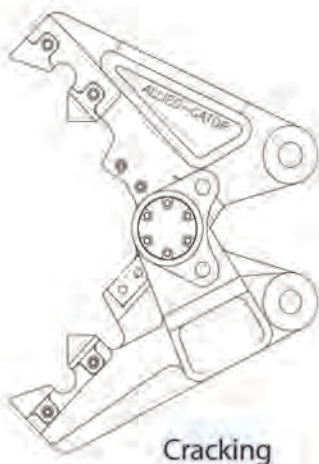




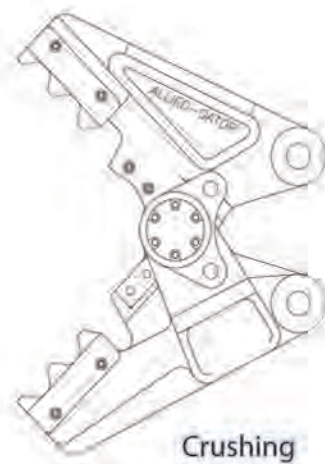
Allied-Gator® MT® 50 Multi-Tool

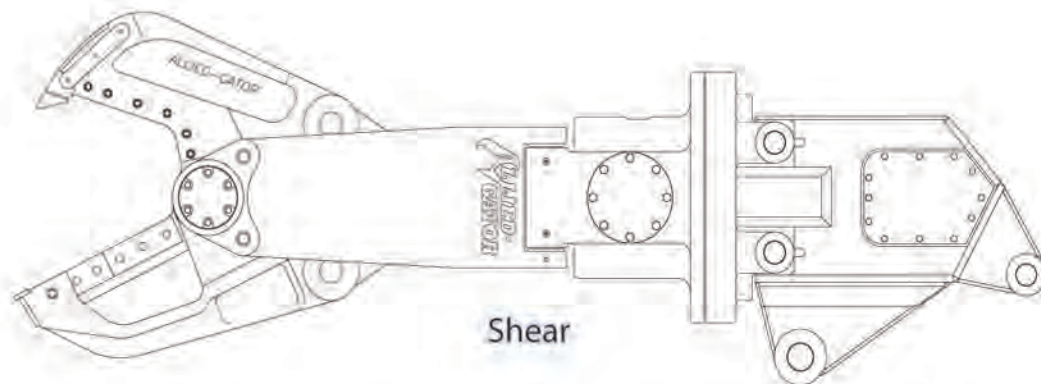
Model:	MTR 50 S (Shear)	MTR 50 C (Cracker/Crusher)
Weight (rotating)**	10,000 lbs.	10,000 lbs.
Jaw Opening	28"	46"
Jaw Depth	28"	32"
Front of Jaw Width	5.5" knife, 15" anvil	6" cracker, 9" crusher
Throat Tonnage	860 tons of force	860 tons of force
Force (at apex)	414 tons cutting force	504 tons cutting force
Force (at tip)	160 tons piercing force	147 tons crushing force
Cycle Time Close*	3 seconds	3 seconds
Cycle Time Open*	3 seconds	3 seconds
Cycle Time Total*	6 seconds	6 seconds
Rotation Speed	adjustable	adjustable
Excavator Required (min.) Second Member Mount	55,000 lbs. and up	55,000 lbs. and up
Excavator Required (min.) Third Member Mount	90,000 lbs. and up	90,000 lbs. and up
*@ 120 GPM (min. recommended flow) w/Allied-Gator Speed Circuit™ Technology	**Weights Subject to Adapter Design	U.S. and Foreign Patents Issued and Pending

Recommended rotational flow: 1,700 psi @ 11 GPM



Concrete Processor

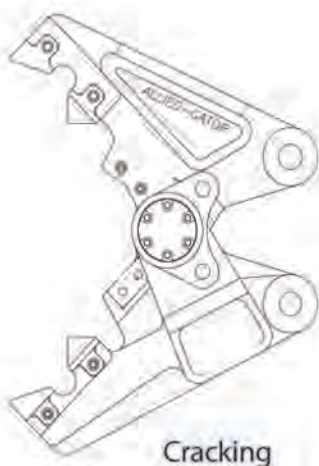




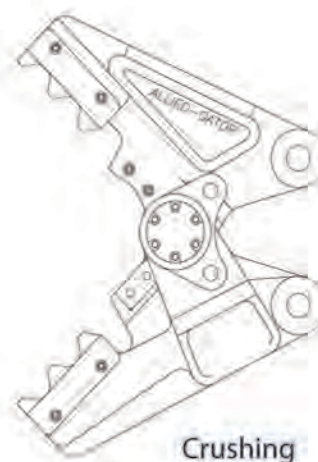
Allied-Gator® MT® 70 Multi-Tool

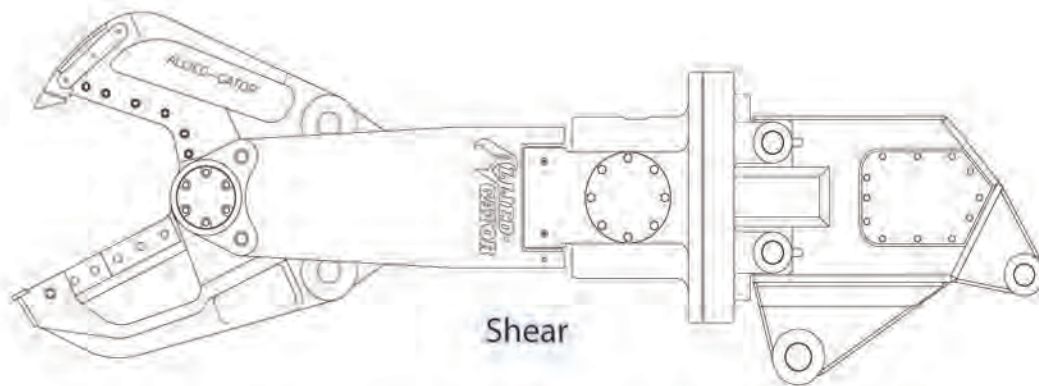
Model:	MTR 70 S (Shear)	MTR 70 C (Cracker/Crusher)
Weight (rotating)**	12,500 lbs.	12,500 lbs.
Jaw Opening	32"	50.75"
Jaw Depth	32"	34.75"
Front of Jaw Width	6" knife, 16.5" anvil	7" cracker, 9.5" crusher
Throat Tonnage	1,043 tons of force	1,043 tons of force
Force (at apex)	483 tons cutting force	580 tons cutting force
Force (at tip)	175 tons piercing force	167 tons crushing force
Cycle Time Close*	3.5 seconds	3.5 seconds
Cycle Time Open*	3.5 seconds	3.5 seconds
Cycle Time Total*	7 seconds	7 seconds
Rotation Speed	adjustable	adjustable
Excavator Required (min.) Second Member Mount	70,000 lbs. and up	70,000 lbs. and up
Excavator Required (min.) Third Member Mount	110,000 lbs. and up	110,000 lbs. and up
*@ 130 GPM (min. recommended flow) w/Allied-Gator Speed Circuit™ Technology	**Weights Subject to Adapter Design	U.S. and Foreign Patents Issued and Pending

Recommended rotational flow: 1,700 psi @ 11 GPM



Concrete Processor



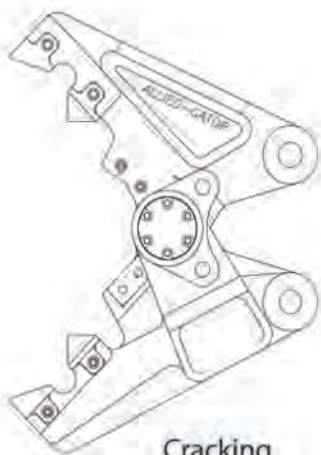


Shear

Allied-Gator® MT® 90 Multi-Tool

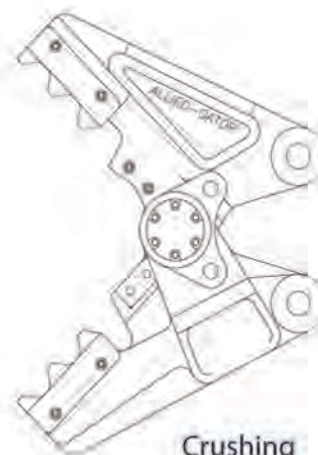
Model:	MTR 90 S (Shear)	MTR 90 C (Cracker/Crusher)
Weight (rotating)**	20,000 lbs.	20,000 lbs.
Jaw Opening	35"	56"
Jaw Depth	35"	39"
Front of Jaw Width	6" knife, 18.5" anvil	7.5" cracker, 10.25" crusher
Throat Tonnage	1,500 tons of force	1,500 tons of force
Force (at apex)	650 tons cutting force	835 tons cutting force
Force (at tip)	245 tons piercing force	234 tons crushing force
Cycle Time Close*	3.5 seconds	3.5 seconds
Cycle Time Open*	4 seconds	4 seconds
Cycle Time Total*	7.5 seconds	7.5 seconds
Rotation Speed	adjustable	adjustable
Excavator Required (min.) Second Member Mount	100,000 lbs. and up	100,000 lbs. and up
Excavator Required (min.) Third Member Mount	190,000 lbs. and up	190,000 lbs. and up
*@ 180 GPM (min. recommended flow) w/Allied-Gator Speed Circuit™ Technology	**Weights Subject to Adapter Design	U.S. and Foreign Patents Issued and Pending

Recommended rotational flow: 1,700 psi @11 GPM

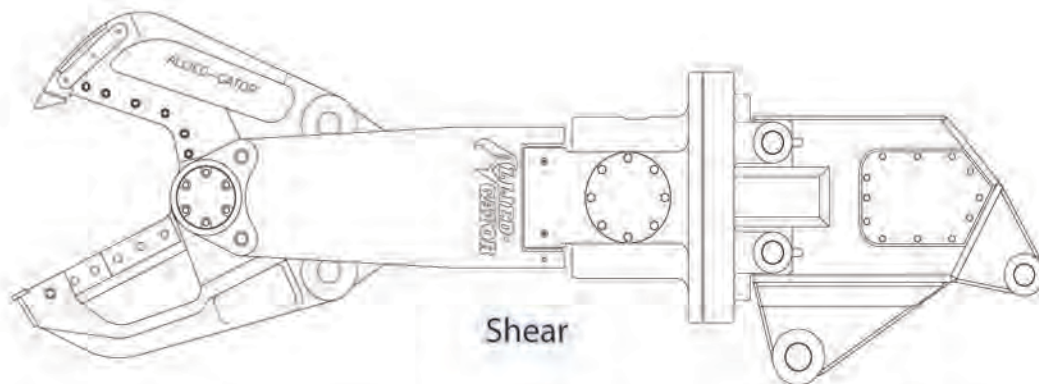


Cracking

Concrete Processor



Crushing

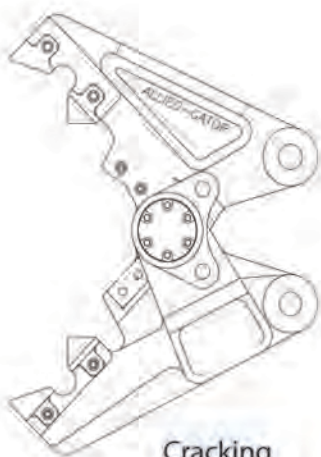


Shear

Allied-Gator® MT® 100 Multi-Tool

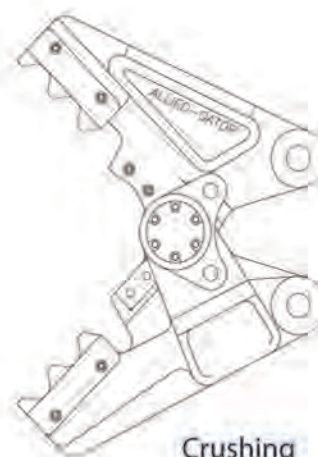
Model:	MTR 100 S (Shear)	MTR 100 C (Cracker/Crusher)
Weight (rotating)**	28,000 lbs.	28,000 lbs.
Jaw Opening	38"	68"
Jaw Depth	38"	47"
Front of Jaw Width	7" knife, 19.75" anvil	9" cracker, 11.75" crusher
Throat Tonnage	1,800 tons of force	1,800 tons of force
Force (at apex)	790 tons cutting force	980 tons cutting force
Force (at tip)	300 tons piercing force	260 tons crushing force
Cycle Time Close*	4 seconds	4 seconds
Cycle Time Open*	5 seconds	5 seconds
Cycle Time Total*	9 seconds	9 seconds
Rotation Speed	adjustable	adjustable
Excavator Required (min.) Second Member Mount	160,000 lbs. and up	160,000 lbs. and up
Excavator Required (min.) Third Member Mount	200,000 lbs. and up	200,000 lbs. and up
*@ 200 GPM (min. recommended flow) w/Allied-Gator Speed Circuit™ Technology	**Weights Subject to Adapter Design	U.S. and Foreign Patents Issued and Pending

Recommended rotational flow: 1,700 psi @ 11 GPM

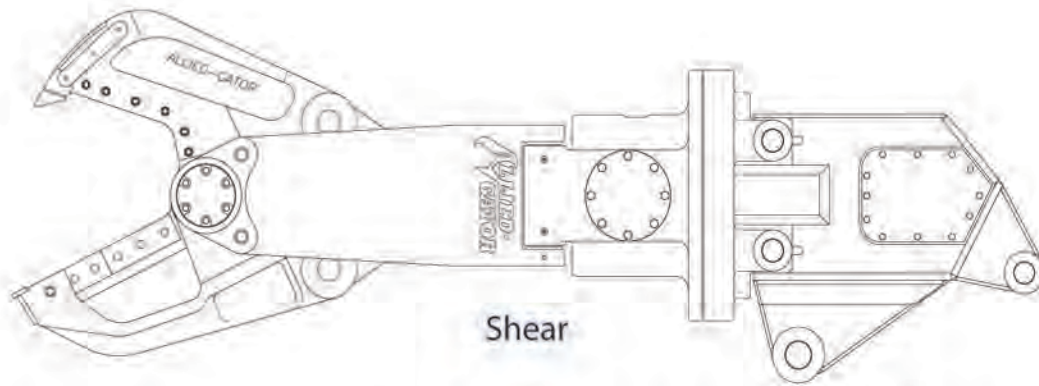


Cracking

Concrete Processor



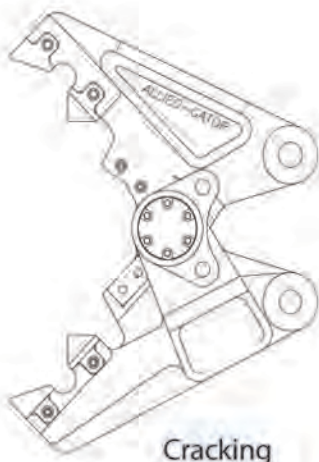
Crushing



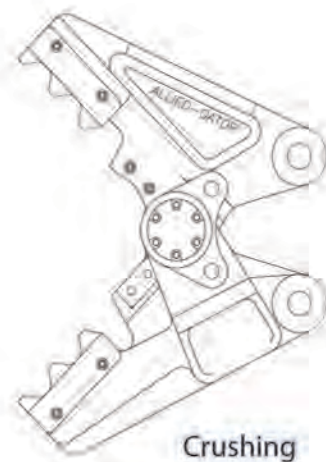
Allied-Gator® MT® 160 Multi-Tool

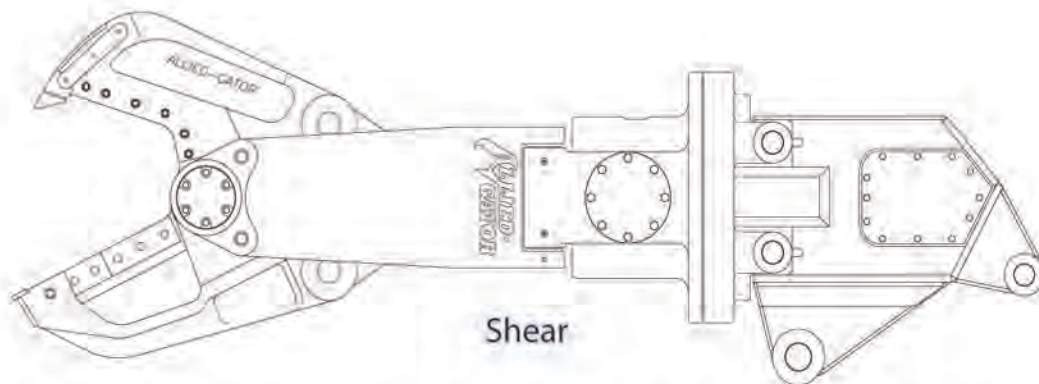
Model:	MTR 160 S (Shear)	MTR 160 C (Cracker/Crusher)
Weight (rotating)**	44,000 lbs.	44,000 lbs.
Jaw Opening	42"	78"
Jaw Depth	42"	54"
Front of Jaw Width	8" knife, 23.5" anvil	10" cracker, 13" crusher
Throat Tonnage	2,100 tons of force	2,100 tons of force
Force (at apex)	821 tons cutting force	1,175 tons cutting force
Force (at tip)	375 tons piercing force	330 tons crushing force
Cycle Time Close*	5 seconds	5 seconds
Cycle Time Open*	6 seconds	6 seconds
Cycle Time Total*	11 seconds	11 seconds
Rotation Speed	adjustable	adjustable
Excavator Required (min.) Second Member Mount	215,000 lbs. and up	215,000 lbs. and up
Excavator Required (min.) Third Member Mount	300,000 lbs. and up	300,000 lbs. and up
*@ 225 GPM (min. recommended flow) w/Allied-Gator Speed Circuit™ Technology	**Weights Subject to Adapter Design	U.S. and Foreign Patents Issued and Pending

Recommended rotational flow: 1,700 psi @ 14 GPM



Concrete Processor



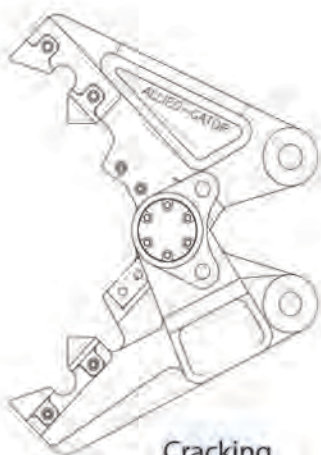


Shear

Allied-Gator® MT® 180 Multi-Tool

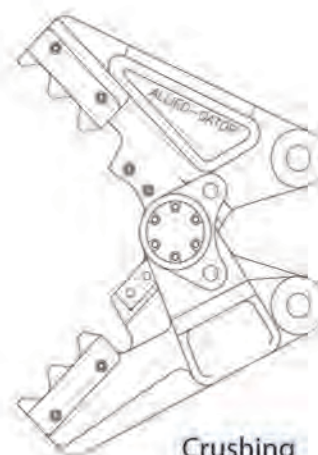
Model:	MTR 180 S (Shear)	MTR 180 C (Cracker/Crusher)
Weight (rotating)**	52,000 lbs.	52,000 lbs.
Jaw Opening	48"	86"
Jaw Depth	48"	64"
Front of Jaw Width	11" knife, 30" anvil	12" cracker, 17.5" crusher
Throat Tonnage	3,100 tons of force	3,100 tons of force
Force (at apex)	1,425 tons cutting force	1,730 tons cutting force
Force (at tip)	600 tons piercing force	500 tons crushing force
Cycle Time Close*	7 seconds	7 seconds
Cycle Time Open*	8 seconds	8 seconds
Cycle Time Total*	15 seconds	15 seconds
Rotation Speed	adjustable	adjustable
Excavator Required (min.) Second Member Mount	250,000 lbs. and up	250,000 lbs. and up
Excavator Required (min.) Third Member Mount	n/a	n/a
*@ 300 GPM (min. recommended flow) w/Allied-Gator Speed Circuit™ Technology	**Weights Subject to Adapter Design	U.S. and Foreign Patents Issued and Pending

Recommended rotational flow: 1,700 psi @ 14 GPM



Cracking

Concrete Processor



Crushing