

# UNICARRIERS®

## □ FORKLIFT □



Electric Counterbalanced Forklifts

80 Volt AC-Powered

4,000 - 6,000 lbs. Capacities | Pneumatic Tire

QX Series



S P E C I F I C A T I O N S

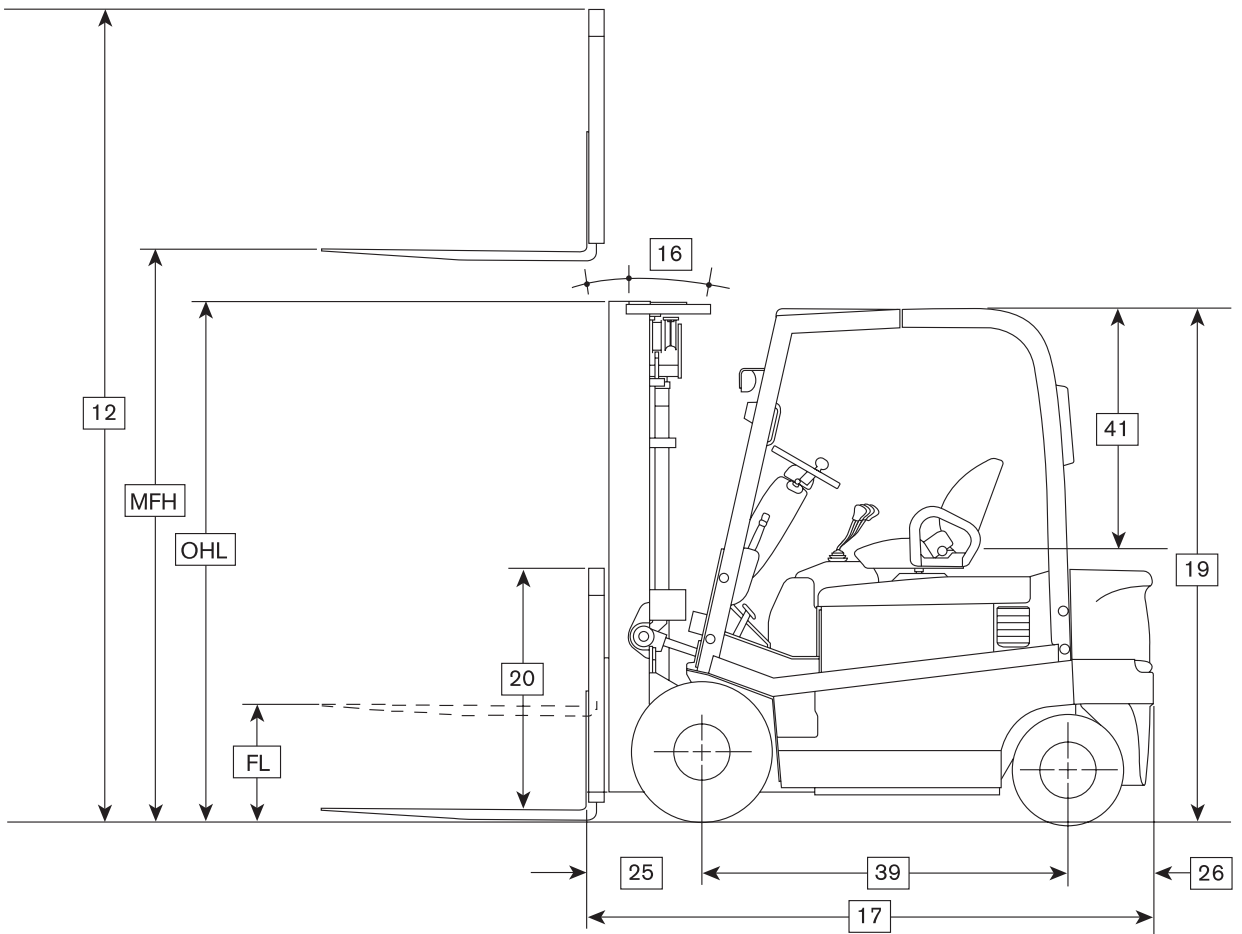
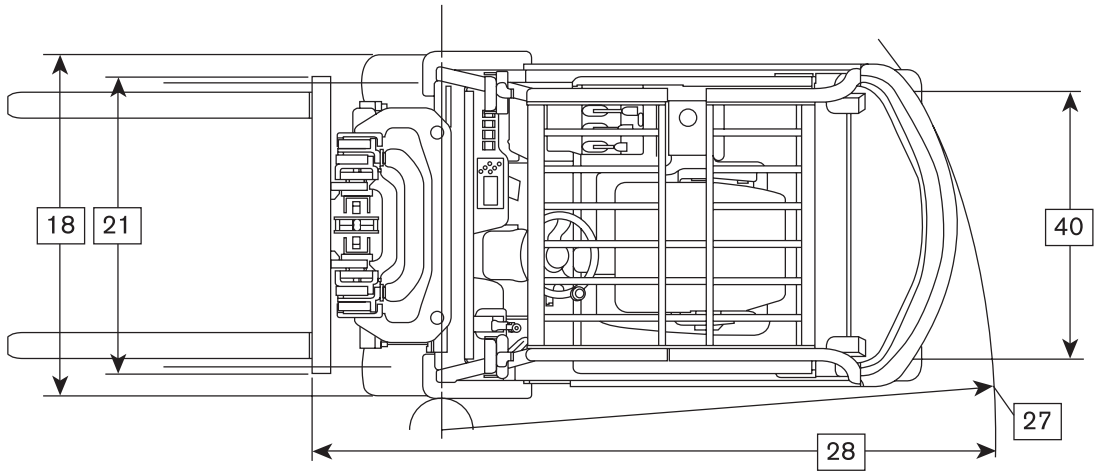
## MAIN TRUCK SPECIFICATIONS

| CHARACTERISTICS       | 1                                |                                     |            | UniCarriers     | UniCarriers                |                            |
|-----------------------|----------------------------------|-------------------------------------|------------|-----------------|----------------------------|----------------------------|
|                       | 2                                |                                     |            | QX40            | QX50                       |                            |
|                       | 3                                |                                     |            | 1Q2L20V         | 1Q2L25V                    |                            |
|                       |                                  |                                     |            |                 |                            |                            |
|                       | Manufacturer's Name              |                                     |            |                 |                            |                            |
|                       | Model                            | Model designation                   |            |                 |                            |                            |
|                       |                                  | Long model code                     |            |                 |                            |                            |
|                       | Rated Load Capacity              |                                     | lb (kg)    | 4000 (1815)     | 5000 (2265)                |                            |
|                       | Load Center                      | Distance                            | in (mm)    | 24 (600)        | 24 (600)                   |                            |
|                       | Power Type                       | Electric                            | voltage    | 80v             | 80v                        |                            |
|                       | Operator Orientation             |                                     |            | Sit             | Sit                        |                            |
| DIMENSIONS            | Tire Type                        | Front & rear                        |            | Solid Pneumatic | Solid Pneumatic            |                            |
|                       | Wheels                           | Number - front/rear (x=driven)      |            | 2x / 2          | 2x / 2                     |                            |
|                       | Mast                             | Maximum fork height                 | in (mm)    |                 | 130 (3300)                 | 130 (3300)                 |
|                       |                                  | Mast lowered (OHL)                  | in (mm)    |                 | 84.5 (2145)                | 84.5 (2145)                |
|                       |                                  | Mast extended with LBR              | in (mm)    |                 | 178 (4520)                 | 178 (4520)                 |
|                       | Forks                            | Standard freelif                    | in (mm)    |                 | 5.9 (150)                  | 5.9 (150)                  |
|                       |                                  | Thickness & width                   | in (mm)    |                 | 1.5 x 4 (40 x 100)         | 1.5 x 4 (40 x 100)         |
|                       |                                  | Length (STD)                        | in (mm)    |                 | 42.1 (1070)                | 42.1 (1070)                |
|                       | Tilt Angle                       | Standard mast - fwd/back            |            | degree          | 5/8                        | 5 / 8                      |
|                       | Overall Dimensions               | Length (to face of forks)           | in (mm)    |                 | 92.1 (2340)                | 92.1 (2340)                |
|                       |                                  | Width (standard tires)              | in (mm)    |                 | 46.5 (1180)                | 46.5 (1180)                |
|                       |                                  | Height - top of OHG                 | in (mm)    |                 | 88 (2235)                  | 88 (2235)                  |
|                       |                                  | Height - top of standard LBR        | in (mm)    |                 | 48 (1220)                  | 48 (1220)                  |
|                       | Grade Clearance                  | Width - standard carriage           | in (mm)    |                 | 40.2 (1020)                | 40.2 (1020)                |
|                       |                                  | Approach angle                      | %          |                 | 31                         | 31                         |
|                       |                                  | Ramp breakover angle                | %          |                 | 29                         | 29                         |
| Overhang              | Departure angle                  | %                                   |            | 44              | 44                         |                            |
|                       | Front                            | in (mm)                             |            | 18.3 (465)      | 18.3 (465)                 |                            |
|                       | Rear                             | in (mm)                             |            | 14.2 (360)      | 14.2 (360)                 |                            |
| Turning Radius        | Minimum outside                  |                                     | in (mm)    | 78.4 (1990)     | 78.4 (1990)                |                            |
| Min Right Angle Stack | Add load length & clearance      |                                     | in (mm)    | 96.7 (2455)     | 96.7 (2455)                |                            |
| PERFORMANCE           | Speeds Maximum                   | Travel - loaded / unloaded          |            | mph (km/h)      | 12.7 / 13.0 (20.5 / 21.0)  | 12.4 / 13.0 (20.0 / 21.0)  |
|                       |                                  | Lift - loaded / unloaded            |            | fpm (mm/sec)    | 100.4 / 127.9 (510 / 650)  | 92.5 / 127.9 (470 / 650)   |
|                       |                                  | Lowering - loaded / unloaded        |            | fpm (mm/sec)    | 98.4 / 98.4 (500 / 500)    | 98.4 / 98.4 (500 / 500)    |
|                       | Drawbar Pull Maximum             | Full load (36v/48v)                 |            | lb (N)          | 2811 (12503)               | 2811 (12503)               |
|                       | Gradeability Maximum             | Full load (36v/48v)                 |            | %               | 19                         | 16                         |
| WEIGHT                | Truck Weight                     | Empty, min. battery                 |            | lb (kg)         | 9705 (4400)                | 10445 (4735)               |
|                       | Weight Distribution              | Full load front/rear - min. battery |            | lb (kg)         | 11980 / 1725 (5435 / 780)  | 13610 / 1835 (6175 / 830)  |
|                       |                                  | No load front/rear - min. battery   |            | lb (kg)         | 5140 / 4565 (2330 / 2070)  | 5060 / 5385 (2295 / 2440)  |
| CHASSIS & WHEELS      | Tire Size                        | Front                               |            | in              | 23 x 9 - 10                | 23 x 9 - 10                |
|                       |                                  | Rear                                |            | in              | 18 x 7 - 8                 | 18 x 7 - 8                 |
|                       | Wheelbase                        |                                     |            | in (mm)         | 59.6 (1515)                | 59.6 (1515)                |
|                       | Tread - Center of Tire           | Front / rear (standard tires)       |            | in (mm)         | 38.4 / 38.2 (975 / 970)    | 38.4 / 38.2 (975 / 970)    |
|                       | Headroom                         | SIP to bottom of OHG                |            | in (mm)         | 41.1 (1045)                | 41.1 (1045)                |
|                       | Counterweight Height             |                                     |            | in (mm)         | 40.9 (1040)                | 40.9 (1040)                |
|                       | Step Height                      |                                     |            | in (mm)         | 13.5 (345)                 | 13.5 (345)                 |
|                       |                                  | Ground Clearance                    | Under mast |                 | in (mm)                    | 4.5 (115)                  |
|                       | Under frame, center of wheelbase |                                     | in (mm)    | 4.1 (105)       | 4.1 (105)                  |                            |
|                       | Service Brake                    | Type                                |            |                 | Electric / Hydr            | Electric / Hydr            |
| Parking Brake         | Type                             |                                     |            | Hand            | Hand                       |                            |
| Steering              | On-demand                        |                                     |            | Hydraulic       | Hydraulic                  |                            |
| DRIVE LINE            | Traction Motor                   | Type / Rating (1-hour)              |            | (kW)            | AC / 9.9                   | AC / 9.9                   |
|                       |                                  | Control type                        |            |                 | MOS-FET Inverter           | MOS-FET Inverter           |
| Pump Motor            | Type / Rating (5-minute)         |                                     | (kW)       | AC / 21.5       | AC / 21.5                  |                            |
| BATTERY               | Battery Compartment Size         | W x H - Maximum                     |            | in (mm)         | 40.66 x 31.65 (1033 x 804) | 40.66 x 31.65 (1033 x 804) |
|                       |                                  | L - Maximum                         |            | in (mm)         | 28.18 (716)                | 28.18 (716)                |
|                       | Recommended Battery Size         | WxH                                 |            | in (mm)         | 40.35 x 30.86 (1025 x 784) | 40.35 x 30.86 (1025 x 784) |
|                       |                                  | L                                   |            | in (mm)         | 27.87 (708)                | 27.87 (708)                |
|                       |                                  | Lead acid                           |            | Type            | 40-125-09 (40 - 4 PzS 620) | 40-125-09 (40 - 4 PzS 620) |
|                       | Capacity                         | Minimum / Maximum                   |            | Ah/5h           | 480 / 620                  | 480 / 620                  |
|                       | Weight                           | Minimum / Maximum                   |            | lb (kg)         | 3240 / 3595 (1470 / 1630)  | 3240 / 3595 (1470 / 1630)  |
|                       | Lead Length                      | Position A                          |            | in (mm)         | 15.8 (400)                 | 15.8 (400)                 |
|                       | Connector                        |                                     |            | Type            | SBE320 Black               | SBE320 Black               |

## MAIN TRUCK SPECIFICATIONS

| CHARACTERISTICS  | 1           | Manufacturer's Name      |                                     | UniCarriers                  | UniCarriers                |                           |
|------------------|-------------|--------------------------|-------------------------------------|------------------------------|----------------------------|---------------------------|
|                  | 2           | Model                    | Model designation                   | QX50L                        | QX60                       |                           |
|                  | 3           |                          | Long model code                     | G1Q2L25V                     | G1Q2L30V                   |                           |
|                  | 4           | Rated Load Capacity      |                                     | 5000 (2265)                  | 6000 (2720)                |                           |
|                  | 5           | Load Center              | Distance                            | in (mm)                      | 24 (600)                   |                           |
|                  | 6           | Power Type               | Electric                            | voltage                      | 80v                        |                           |
|                  | 7           | Operator Orientation     |                                     |                              | Sit                        |                           |
| DIMENSIONS       | 8           | Tire Type                | Front & rear                        |                              | Solid Pneumatic            |                           |
|                  | 9           | Wheels                   | Number - front/rear (x=driven)      |                              | 2x / 2                     |                           |
|                  | 10          | Mast                     | Maximum fork height                 | in (mm)                      | 130 (3300)                 |                           |
|                  | 11          |                          | Mast lowered (OHL)                  | in (mm)                      | 84.5 (2145)                |                           |
|                  | 12          |                          | Mast extended with LBR              | in (mm)                      | 178 (4520)                 |                           |
|                  | 13          |                          | Standard freelif                    | in (mm)                      | 5.9 (150)                  |                           |
|                  | 14          | Forks                    | Thickness & width                   | in (mm)                      | 1.5 x 4 (40 x 100)         |                           |
|                  | 15          |                          | Length (STD)                        | in (mm)                      | 42.1 (1070)                |                           |
|                  | 16          | Tilt Angle               | Standard mast - fwd/back            | degree                       | 5/8                        |                           |
|                  | 17          | Overall Dimensions       | Length (to face of forks)           | in (mm)                      | 97.8 (2485)                |                           |
|                  | 18          |                          | Width (standard tires)              | in (mm)                      | 46.5 (1180)                |                           |
|                  | 19          |                          | Height - top of OHG                 | in (mm)                      | 88 (2235)                  |                           |
|                  | 20          |                          | Height - top of standard LBR        | in (mm)                      | 48 (1220)                  |                           |
|                  | 21          |                          | Width - standard carriage           | in (mm)                      | 40.2 (1020)                |                           |
|                  | 22          | Grade Clearance          | Ramp breakover angle                | %                            | 31                         |                           |
|                  | 23          |                          | Departure angle                     | %                            | 26                         |                           |
|                  | 24          |                          |                                     |                              | 44                         |                           |
|                  | 25          | Overhang                 | Front                               | in (mm)                      | 18.3 (465)                 |                           |
|                  | 26          |                          | Rear                                | in (mm)                      | 14.2 (360)                 |                           |
|                  | 27          | Turning Radius           | Minimum outside                     | in (mm)                      | 84.3 (2140)                |                           |
|                  | 28          | Min Right Angle Stack    | Add load length & clearance         | in (mm)                      | 102.6 (2605)               |                           |
|                  | PERFORMANCE | 29                       | Speeds Maximum                      | Travel - loaded / unloaded   | mph (km/h)                 | 12.4 / 13.0 (20.0 / 21.0) |
|                  |             | 30                       |                                     | Lift - loaded / unloaded     | fpm (mm/sec)               | 92.5 / 127.9 (470 / 650)  |
|                  |             | 31                       |                                     | Lowering - loaded / unloaded | fpm (mm/sec)               | 98.4 / 98.4 (500 / 500)   |
| 32               |             | Drawbar Pull Maximum     | Full load (36v/48v)                 | lb (N)                       | 2811 (12503)               |                           |
| 33               |             | Gradeability Maximum     | Full load (36v/48v)                 | %                            | 16                         |                           |
| WEIGHT           | 34          | Truck Weight             | Empty, min. battery                 | lb (kg)                      | 10575 (4795)               |                           |
|                  | 35          | Weight Distribution      | Full load front/rear - min. battery | lb (kg)                      | 13790 / 1785 (6255 / 810)  |                           |
|                  | 36          |                          | No load front/rear - min. battery   | lb (kg)                      | 5545 / 5030 (2515 / 2280)  |                           |
| CHASSIS & WHEELS | 37          | Tire Size                | Front                               | in                           | 23 x 9 - 10                |                           |
|                  | 38          |                          | Rear                                | in                           | 18 x 7 - 8                 |                           |
|                  | 39          | Wheelbase                |                                     | in (mm)                      | 65.4 (1660)                |                           |
|                  | 40          | Tread - Center of Tire   | Front / rear (standard tires)       | in (mm)                      | 38.4 / 38.2 (975 / 970)    |                           |
|                  | 41          | Headroom                 | SIP to bottom of OHG                | in (mm)                      | 41.1 (1045)                |                           |
|                  | 42          | Counterweight Height     |                                     | in (mm)                      | 40.9 (1040)                |                           |
|                  | 43          | Step Height              |                                     | in (mm)                      | 13.5 (345)                 |                           |
|                  | 44          | Ground Clearance         | Under mast                          | in (mm)                      | 4.5 (115)                  |                           |
|                  | 45          |                          | Under frame, center of wheelbase    | in (mm)                      | 4.1 (105)                  |                           |
|                  | 46          | Service Brake            | Type                                |                              | Electric / Hydr            |                           |
|                  | 47          | Parking Brake            | Type                                |                              | Hand                       |                           |
|                  | 48          | Steering                 | On-demand                           |                              | Hydraulic                  |                           |
| DRIVE LINE       | 49          | Traction Motor           | Type / Rating (1-hour)              | (kW)                         | AC / 9.9                   |                           |
|                  | 50          |                          | Control type                        |                              | MOS-FET Inverter           |                           |
|                  | 51          | Pump Motor               | Type / Rating (5-minute)            | (kW)                         | AC / 21.5                  |                           |
| BATTERY          | 52          | Battery Compartment Size | W x H - Maximum                     | in (mm)                      | 40.66 x 31.65 (1033 x 804) |                           |
|                  | 53          |                          | L - Maximum                         | in (mm)                      | 33.85 (860)                |                           |
|                  | 54          | Recommended Battery Size | WxH                                 | in (mm)                      | 40.35 x 30.86 (1025 x 784) |                           |
|                  | 55          |                          | L                                   | in (mm)                      | 33.54 (852)                |                           |
|                  | 56          |                          | Lead acid                           | Type                         | 40-140-09 (40 - 5 PzS 775) |                           |
|                  | 57          | Capacity                 | Minimum / Maximum                   | Ah/5h                        | 600 / 775                  |                           |
|                  | 58          | Weight                   | Minimum / Maximum                   | lb (kg)                      | 3900 / 4345 (1770 / 1970)  |                           |
|                  | 59          | Lead Length              | Position A                          | in (mm)                      | 15.8 (400)                 |                           |
|                  | 60          | Connector                |                                     | Type                         | SBE320 Black               |                           |

# DIMENSIONS



## MAST SPECIFICATIONS & RATED CAPACITIES

|                            |       | Maximum Fork Height | Overall Height |              |                |             | Free Lift   |             | Tilt Angle  | Rated Capacity at 24" (600) Load Center |              |
|----------------------------|-------|---------------------|----------------|--------------|----------------|-------------|-------------|-------------|-------------|---|--------------|
|                            |       |                     | Lowered        |              | Fully Extended |             |             |             | Fwd/ Bkwd   |   |              |
|                            |       |                     | MFH            | OHL          | With LBR       | Without LBR | With LBR    | Without LBR | degrees     | QX40                                    | QX50 / QX50L |
|                            |       |                     | in (mm)        | in (mm)      | in (mm)        | in (mm)     | in (mm)     | in (mm)     |             | lb (kg)                                 | lb (kg)      |
| TWO STAGE<br>(Wide View)   | 2W300 | 118 (3000)          | 78.6 (2000)    | 166.2 (4220) | 143.6 (3650)   | 5.9 (150)   | 5.9 (150)   | 5/8         | 4000 (1800) | 5000 (2250)                             |              |
|                            | 2W330 | 130 (3300)          | 84.5 (2145)    | 178.0 (4520) | 155.4 (3950)   | 5.9 (150)   | 5.9 (150)   | 5/8         | 4000 (1800) | 5000 (2250)                             |              |
|                            | 2W350 | 138 (3500)          | 89.8 (2280)    | 185.9 (4720) | 163.2 (4145)   | 5.9 (150)   | 5.9 (150)   | 5/8         | 4000 (1800) | 5000 (2250)                             |              |
|                            | 2W370 | 146 (3700)          | 94.7 (2405)    | 193.8 (4920) | 171.1 (4345)   | 5.9 (150)   | 5.9 (150)   | 5/8         | 4000 (1800) | 5000 (2250)                             |              |
|                            | 2W400 | 157 (4000)          | 102.2 (2595)   | 205.6 (5220) | 182.9 (4645)   | 5.9 (150)   | 5.9 (150)   | 5/8         | 4000 (1800) | 5000 (2250)                             |              |
|                            | 2W450 | 177 (4500)          | 112.1 (2850)   | 225.2 (5720) | 202.6 (5145)   | 5.9 (150)   | 5.9 (150)   | 5/8         | 4000 (1800) | 5000 (2250)                             |              |
|                            | 2W500 | 197 (5000)          | 121.9 (3095)   | 244.9 (6220) | 222.3 (5646)   | 5.9 (150)   | 5.9 (150)   | 5/8         | 3900 (1750) | 4800 (2150)                             |              |
| TWO STAGE<br>(Full Free)   | 2F300 | 118 (3000)          | 78.6 (2000)    | 166.2 (4220) | 144.9 (3680)   | 32.0 (810)  | 53.3 (1350) | 5/8         | 4000 (1800) | 5000 (2250)                             |              |
|                            | 2F330 | 130 (3300)          | 84.5 (2145)    | 178.0 (4520) | 156.7 (3980)   | 37.9 (960)  | 59.2 (1500) | 5/8         | 4000 (1800) | 5000 (2250)                             |              |
|                            | 2F350 | 138 (3500)          | 89.8 (2280)    | 185.9 (4720) | 164.6 (4180)   | 43.3 (1100) | 64.5 (1635) | 5/8         | 4000 (1800) | 5000 (2250)                             |              |
|                            | 2F370 | 146 (3700)          | 94.7 (2405)    | 193.8 (4920) | 172.5 (4390)   | 48.2 (1225) | 69.4 (1760) | 5/8         | 4000 (1800) | 5000 (2250)                             |              |
|                            | 2F400 | 157 (4000)          | 102.2 (2595)   | 205.6 (5220) | 184.3 (4680)   | 55.7 (1415) | 76.9 (1950) | 5/8         | 4000 (1800) | 5000 (2250)                             |              |
| THREE STAGE<br>(Full Free) | 3F385 | 152 (3850)          | 72.7 (1850)    | 199.7 (5070) | 178.4 (4530)   | 26.1 (660)  | 47.6 (1210) | 5/5         | 4000 (1800) | 5000 (2250)                             |              |
|                            | 3F430 | 169 (4300)          | 78.6 (2000)    | 217.4 (5520) | 196.1 (4980)   | 32.0 (810)  | 53.5 (1355) | 5/5         | 4000 (1800) | 5000 (2250)                             |              |
|                            | 3F475 | 187 (4750)          | 84.5 (2145)    | 235.1 (5970) | 213.8 (5430)   | 37.9 (960)  | 59.4 (1505) | 5/5         | 4000 (1800) | 5000 (2250)                             |              |
|                            | 3F515 | 203 (5150)          | 89.8 (2280)    | 250.8 (6370) | 229.6 (5830)   | 43.3 (1100) | 64.7 (1640) | 5/5         | 3800 (1700) | 4600 (2100)                             |              |
|                            | 3F550 | 217 (5500)          | 94.7 (2405)    | 264.6 (6720) | 243.4 (6180)   | 48.2 (1225) | 69.6 (1765) | 5/5         | 3600 (1650) | 4200 (1900)                             |              |
|                            | 3F600 | 236 (6000)          | 102.2 (2595)   | 284.3(7220)  | 263.0 (6680)   | 55.7 (1415) | 77.1 (1955) | 5/5         | 3100 (1400) | 3400 (1550)                             |              |
|                            | 3F650 | 256 (6500)          | 112.1 (2850)   | 304.0 (7720) | 282.7 (7180)   | 65.5 (1660) | 87.0 (2210) | 5/5         | 2500 (1150) | 2700 (1200)                             |              |
|                            | 3F700 | 276 (7000)          | 121.9 (3095)   | 323.7 (8820) | 302.4 (7680)   | 75.3 (1910) | 96.8 (2455) | 5/5         | 2000 (900)  | 2200 (1000)                             |              |

|                            |       | Maximum Fork Height | Overall Height |              |                |             | Free Lift    |             | Tilt Angle  | Rated Capacity at 24" (600) Load Center |
|----------------------------|-------|---------------------|----------------|--------------|----------------|-------------|--------------|-------------|-------------|---|
|                            |       |                     | Lowered        |              | Fully Extended |             |              |             | Fwd/ Bkwd   |   |
|                            |       |                     | MFH            | OHL          | With LBR       | Without LBR | With LBR     | Without LBR | degrees     | QX60                                    |
|                            |       |                     | in (mm)        | in (mm)      | in (mm)        | in (mm)     | in (mm)      | in (mm)     |             | lb (kg)                                 |
| TWO STAGE<br>(Wide View)   | 2W300 | 118 (3000)          | 78.6 (2000)    | 166.2 (4220) | 143.6 (3650)   | 6.2 (160)   | 6.2 (160)    | 5/8         | 6000 (2700) |   |
|                            | 2W330 | 130 (3300)          | 84.5 (2145)    | 178.0 (4520) | 155.4 (3950)   | 6.2 (160)   | 6.2 (160)    | 5/8         | 6000 (2700) |   |
|                            | 2W350 | 138 (3500)          | 89.8 (2280)    | 185.9 (4720) | 163.2 (4145)   | 6.2 (160)   | 6.2 (160)    | 5/8         | 6000 (2700) |   |
|                            | 2W370 | 146 (3700)          | 94.7 (2405)    | 193.8 (4920) | 171.1 (4345)   | 6.2 (160)   | 6.2 (160)    | 5/8         | 6000 (2700) |   |
|                            | 2W400 | 157 (4000)          | 102.2 (2595)   | 205.6 (5220) | 182.9 (4645)   | 6.2 (160)   | 6.2 (160)    | 5/8         | 6000 (2700) |   |
|                            | 2W450 | 177 (4500)          | 112.1 (2850)   | 225.2 (5720) | 202.6 (5145)   | 6.2 (160)   | 6.2 (160)    | 5/8         | 5900 (2650) |   |
|                            | 2W500 | 197 (5000)          | 121.9 (3095)   | 244.9 (6220) | 222.3 (5645)   | 6.2 (160)   | 6.2 (160)    | 5/8         | 5600 (2550) |   |
| TWO STAGE<br>(Full Free)   | 2F300 | 118 (3000)          | 78.6 (2000)    | 166.2 (4220) | 144.9 (3680)   | 32.4 (825)  | 53.9 (1370)  | 5/8         | 6000 (2700) |   |
|                            | 2F330 | 130 (3300)          | 84.5 (2145)    | 178.0 (4520) | 157.1 (3980)   | 38.3 (975)  | 59.8 (1520)  | 5/8         | 6000 (2700) |   |
|                            | 2F350 | 138 (3500)          | 89.8 (2280)    | 185.9 (4720) | 164.6 (4180)   | 43.7 (1110) | 65.1 (1655)  | 5/8         | 6000 (2700) |   |
|                            | 2F370 | 146 (3700)          | 94.7 (2405)    | 193.8 (4920) | 172.5 (4390)   | 48.6 (1235) | 70.0 (1780)  | 5/8         | 6000 (2700) |   |
|                            | 2F400 | 157 (4000)          | 102.2 (2595)   | 205.6 (5220) | 184.3 (4680)   | 56.1 (1425) | 77.5 (1970)  | 5/8         | 6000 (2700) |   |
| THREE STAGE<br>(Full Free) | 3F385 | 152 (3850)          | 78.6 (2000)    | 199.7 (5070) | 176.4 (4480)   | 32.4 (825)  | 55.7 (1415)  | 5/5         | 6000 (2700) |   |
|                            | 3F430 | 169 (4300)          | 84.5 (2145)    | 217.4 (5520) | 194.1 (4930)   | 38.3 (975)  | 61.6 (1565)  | 5/5         | 6000 (2700) |   |
|                            | 3F475 | 187 (4750)          | 89.8 (2280)    | 235.1 (5970) | 211.9 (5380)   | 43.7 (1110) | 66.9 (1700)  | 5/5         | 5700 (2600) |   |
|                            | 3F515 | 203 (5150)          | 94.7 (2405)    | 250.8 (6370) | 227.6 (5780)   | 48.6 (1235) | 71.8 (1825)  | 5/5         | 5500 (2500) |   |
|                            | 3F550 | 217 (5500)          | 102.2 (2595)   | 264.6 (6720) | 241.4 (6130)   | 56.1 (1425) | 79.3 (2015)  | 5/5         | 4800 (2150) |   |
|                            | 3F600 | 236 (6000)          | 112.1 (2850)   | 284.3 (7220) | 261.1 (6630)   | 65.9 (1675) | 89.1 (2265)  | 5/5         | 4100 (1850) |   |
|                            | 3F650 | 256 (6500)          | 121.9 (3095)   | 304.0 (7720) | 280.8 (7130)   | 75.7 (1925) | 99.0 (2515)  | 5/5         | 3500 (1600) |   |
|                            | 3F700 | 276 (7000)          | 131.7 (3345)   | 323.7 (8820) | 300.4 (7630)   | 85.6 (2175) | 108.8 (2765) | 5/5         | 2800 (1250) |   |

## STANDARD EQUIPMENT

- 80 Volt, brushless AC drive, hydraulic and steering motors
- AC TECH motor controller system
- 3 pre-set performance modes (Economy, Power, High Power)
- 1 Manual (custom) performance mode
- Secure, PIN access to personalized performance settings
- 5-mode regenerative braking (including controlled rollback)
- Full suspension, fold down vinyl seat with weight adjustment, operator restraint, retractable seatbelt
- Multi-function LCD:
  - Hour meters (4), clock, calendar
  - Power mode display
  - Operator PIN security access
  - On-board diagnostics, self-test and coded service history
  - Programmable service reminders
  - Speedometer and F/N/R transmission reminder
  - Battery discharge indicator with lift interrupt
- Deck-mounted, hydraulic control levers (separate lift and tilt)
- Load sensing, on-demand AC controlled hydraulic power steering
- Flex-logic acceleration control
- Operator Presence System with seat-actuated lift-interrupt system, return to neutral, seatbelt and parking brake warning buzzers
- Auto-Power off system
- Audible back-up warning alarm
- Small diameter, infinitely adjustable steering wheel
- Overhead guard mounted headlights and rearview mirrors
- Rear combination light package (turn, stop, backup)
- Rear work light
- Five-piece overhead guard
- Hand-applied parking brake with warning buzzer
- Solid pneumatic tires
- Steering wheel knob

## OPTIONAL EQUIPMENT

- Integral or hang-on type sidershifters
- Fingertip control – single lift/tilt control lever or separate lift and tilt
- Auto-fork leveling
- Hydraulic accumulator in the lift system
- Steering synchronizer
- Lowered overhead guard (83.7")
- Polycarbonate overhead guard cover
- Strobe light
- Fire extinguisher
- Full suspension cloth seat
- Magnetic convenience box
- Freezer package (to -31° F / -35° C)
- Non-marking tires

## **ERGONOMICS & COMFORT**

The QX Series offers a variety of operator conveniences for greater comfort, including solid pneumatic tires to absorb vibration for a smoother ride over rough surfaces and a standard full suspension seat for enhanced shock absorption.

The seat has weight adjustment and operator restraint armrests. Adjustable tilt steering column allows more operator comfort. Compact front cowl offers generous leg and foot room. Low profile dashboard position provides excellent fork tip visibility, while still supplying ample headroom.

Our standard Operator Presence System includes Return-to-Neutral and Auto-Mast Lock, automatically preventing mast lift and tilt operations when the operator leaves the seat. Audible and visual warnings notify operator if seat belt is not engaged, or if parking brake is not applied before exiting truck. Other communications visible through the LCD meter panel include truck's travel speed, battery capacity, hour meter, time, calendar, and selected power setting.

On-demand, AC controlled hydraulic power steering reduces operator effort for easier maneuvering and less fatigue, while a load sensing valve prioritizes hydraulic fluid to truck's steering system when needed. Reduced height brake pedal improves the ease of operation. Hand-actuated parking brake is located on the cowl within easy reach. Automotive-style light and turn signal levers simplify repetitive actions for greater operator focus.

Separate lift and tilt lever, deck-mounted hydraulic controls are standard. Optional fingertip control lever design comes with an adjustable armrest. Optional feature is also available with UniCarriers' exclusive single lift/tilt design, resulting in enhanced ergonomics and improved productivity.

## **EFFICIENCY & CONTROL**

Compact steering wheel provides clear view of meter panel with visibility to warnings and indicators. A standard controlled rollback feature reduces the truck's descent when the accelerator is released while on a gradient.

The QX Series may be programmed with Personal Identification Number (PIN) codes to restrict unauthorized truck usage for greater fleet control. Each PIN provides access to one of five unique operating profiles. The QX includes three factory-programmed performance settings (Economy, Power, High Power) which can be modified to fit driver preferences, operating restrictions and/or load handling conditions. Economy mode offers extended run time. Power (standard) mode offers mid-range settings. High performance mode is intended for faster acceleration and travel, among the truck's other adjustable settings. Use the Manual mode to personalize up to 12 performance settings. All setting modifications must be made by a trained service technician.

A unique Flex-Logic acceleration control enables the truck to respond according to the speed with which the pedal is depressed, providing the driver with more accurate, precise acceleration. Can be adjusted to suit operating conditions. Maximum travel speed is also adjustable through the meter panel. Both settings can be adjusted by a trained service technician. Optional steering synchronizer includes sensor to monitor steering wheel and tire angle, adjusting steering wheel knob for precise turns.

## **LOWER OPERATING COSTS**

The QX Series features a higher voltage system which requires less amperage to reach peak performance, resulting in less potential for heat build-up, and longer component life.

Its 100% AC-powered motor and controller system, incorporates a single contactor for reduced maintenance. QX forklift includes AC pump motor to power its lift and steering system, so a separate steering motor is not required. Motor and controller system design greatly reduces or eliminates many serviceable parts (commutators, contactors and brushes), along with related inspection and replacement expenses. Its AC TECH controller includes a built-in test-equipment module with self-diagnostics and error code history logged by hour meter reading. Multi-function LCD panel includes on-board diagnostics with all troubleshooting completed through the instrument panel, for reduced service time. No additional handset tool is required.

Unique five-piece overhead guard simplifies replacement of individual components if necessary, saving time and money. Solid pneumatic tires are more resistant to wear or damage. Wide drive tires are standard on the 6,000-lb. capacity model and optional on smaller chassis models.

## EFFICIENT PERFORMANCE & GREATER UPTIME

Powerful 80 Volt motors offer an emissions-free alternative, by delivering fast travel speeds and similar performance and productivity compared to engine-powered trucks. Its wider stance and higher under-clearance make it suitable for rough ground or floor conditions, with a smaller turning radius to work in areas where a cushion tire truck is traditionally used.

The QX Series' free-floating drive axle with lateral mounted AC drive motors offer more power and quicker response. Drive motors are mounted under the floorboard, inside truck's frame, for added protection.

The QX Series is powered by 100% AC motor and controller system, featuring MOS-FET power inverters for DC to three phase AC power conversion. Thermal sensors help protect both motors and controller against overheating. Warning indicator will advise operator if overheating has occurred, followed by reduced travel and lift operations. Data is automatically locked into truck's service history to assist the technician.

Our AC TECH controller provides lower battery consumption and optimum operating efficiencies through regenerative braking, automatic deceleration, and on-demand power steering. Advanced regenerative braking technologies help reclaim energy using five efficient operations (switch-back/plugging, foot applied, neutral braking, controlled rollback and lift stopping), contributing to lower power consumption and longer operating hours. Regeneration also results in reduced heat generation and component wear, for long-term savings.

Adjustable auto-power off feature cuts power to the truck's electrical system if unit sits idle for a predetermined period of time.

## RUGGED & DURABLE

The QX Series' rugged, unitized frame design incorporates an integral hydraulic tank for enhanced heat dissipation, increased durability, and longer life.

Flat face mast design features rolled steel channels, large cross sections, and thick inner rails for greater capacity retention. Side thrust rollers on the fork carriage are easily accessed for simple carriage adjustment.



SS-QX 09-2015 Printed in U.S.A.

UniCarriers® is a registered trademark of UniCarriers Corporation. UniCarriers Americas Corporation reserves the right to make product changes relating to colors, equipment, specifications or available options without notice. For more information, contact your UniCarriers representative.

