

# Specifications R330LC-9A

## ENGINE

MODEL		CUMMINS QSL9	
Type		Water cooled, 4 cycle Diesel, 6-Cylinders in line, direct injection, turbocharged, charged air cooled and low emission	
Rated flywheel horse power	SAE	J1995 (gross)	282 HP (210 kW) / 1,750 rpm
		J1349 (net)	268 HP (200 kW) / 1,750 rpm
	DIN	6271/1 (gross)	286 PS (210 kW) / 1,750 rpm
		6271/1 (net)	272 PS (200 kW) / 1,750 rpm
Max. torque		123.7 kgf.m (895 lbf.ft) / 1,500 rpm	
Bore x stroke		114 x 145 mm (4.5" x 5.7")	
Piston displacement		8,900 cc (543 in <sup>3</sup> )	
Batteries		2 x 12 V x 160 AH	
Starting motor		24 V; 7.8 kW	
Alternator		24 V; 95 Amp	

## HYDRAULIC SYSTEM

MAIN PUMP	
Type	Variable displacement tandem-axial piston pumps
Max. flow	2 x 270 ℓ /min (71.3 US gpm / 59.4 UK gpm)
Sub-pump for pilot circuit	Gear pump

Cross-sensing and fuel saving pump system

### HYDRAULIC MOTORS

Travel	Two speed axial piston motor with brake valve and parking brake
Swing	Axial piston motor with automatic brake

### RELIEF VALVE SETTING

Implement circuits	350 kgf/cm <sup>2</sup> (4,978 psi)
Travel	350 kgf/cm <sup>2</sup> (4,978 psi)
Power boost (boom, arm, bucket)	380 kgf/cm <sup>2</sup> (5,404 psi)
Swing circuit	300 kgf/cm <sup>2</sup> (4,409 psi)
Pilot circuit	40 kgf/cm <sup>2</sup> (568 psi)
Service valve	Installed

### HYDRAULIC CYLINDERS

No. of cylinder-bore x stroke	Boom: 2-150 x 1,480 mm (5.9" x 58.3")
	Arm: 1-160 x 1,685 mm (6.3" x 66.3")
	Bucket: 1-140 x 1,285 mm (5.5" x 50.6")

## DRIVES & BRAKES

Drive method	Fully hydrostatic type
Drive motor	Axial piston motor, in-shoe design
Reduction system	Planetary reduction gear
Max. drawbar pull	29,500 kgf (65,040 lbf)
Max. travel speed (high) / (low)	5.5 km/hr (3.4 mph) / 3.3 km/hr (2.1 mph)
Gradeability	35° (70 %)
Parking brake	Multi wet disc

## CONTROL

Pilot pressure operated joysticks and pedals with detachable lever provide almost effortless and fatigueless operation.

Pilot control	Two joysticks with one safety lever (LH): Swing and arm (RH): Boom and bucket (ISO)
Traveling and steering	Two levers with pedals
Engine throttle	Electric, Dial type

## SWING SYSTEM

Swing motor	Fixed displacement axial pistons motor
Swing reduction	Planetary gear reduction
Swing bearing lubrication	Grease-bathed
Swing brake	Multi wet disc
Swing speed	9.4 rpm

## COOLANT & LUBRICANT CAPACITY

	liter	US gal	UK gal
Refilling			
Fuel tank	500	132.1	110.0
Engine coolant	55	14.5	12.1
Engine oil	30	7.9	6.6
Swing device	11	1.6	1.3
Final drive (each)	5.5	2.1	1.8
Hydraulic system (including tank)	330	87.2	72.6
Hydraulic tank	190	50.2	41.8

## UNDERCARRIAGE

The X-leg type center frame is integrally welded with reinforced box-section track frames. The undercarriage includes lubricated rollers, idlers, track adjusters with shock absorbing springs and sprockets, and a track chain with double or triple grouser shoes.

Center frame	X - leg type
Track frame	Pentagonal box type
No. of shoes on each side	48
No. of carrier rollers on each side	2
No. of track rollers on each side	9
No. of rail guards on each side	2

## OPERATING WEIGHT (APPROXIMATE)

Operating weight, including 6,450 mm (21' 2") boom, 3,200 mm (10' 6") arm, SAE heaped 1.44m<sup>3</sup> (1.88 yd<sup>3</sup>) bucket, lubricant, coolant, full fuel tank, full hydraulic tank, and all standard equipments.

### MAJOR COMPONENT WEIGHT

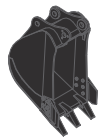
Upperstructure	8,120 kg (17,900 lb)
Boom (with arm cylinder)	3,030 kg (6,680 lb)
Arm (with bucket cylinder)	1,770 kg (3,900 lb)

### OPERATING WEIGHT

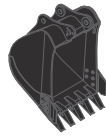
Shoes		Operating weight		Ground pressure
Type	Width mm (in)	kg (lb)		kgf/cm <sup>2</sup> (psi)
Triple grouser	600 (24")	R330LC-9A	33,000 (72,750)	0.63 (8.96)
		R330NLC-9A	32,800 (72,310)	0.63 (8.96)
		R330LC-9A H/W	35,500 (78,260)	0.68 (9.67)
	700 (28")	R330LC-9A	33,600 (74,070)	0.55 (7.83)
		R330LC-9A H/W	36,100 (79,590)	0.59 (8.39)
		R330LC-9A	34,000 (74,960)	0.49 (6.57)
800 (32")	R330LC-9A H/W	36,500 (80,470)	0.50 (7.14)	
	R330LC-9A	34,400 (75,840)	0.44 (6.26)	
Double grouser	700 (28")	R330LC-9A H/W	37,010 (81,590)	0.60 (8.53)

## BUCKETS R330LC-9A

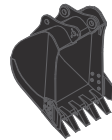
All buckets are welded with high-strength steel.



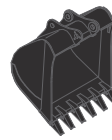
0.90 (1.18)



1.14 (1.49)



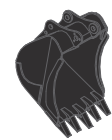
1.44 (1.88)



1.74 (2.28)  
2.10 (2.75)



◆ 1.44 (1.88)



● 1.44 (1.88)  
● 1.73 (2.26)

SAE heaped m<sup>3</sup> (yd<sup>3</sup>)

Capacity m <sup>3</sup> (yd <sup>3</sup> )		Width mm (in)		Weight kg (lb)	Recommendation m (ft.in)				
SAE heaped	CECE heaped	Without side cutters	With side cutters		6.45 (21' 2") Boom				6.15 (20' 2") Boom
					2.2 (7' 3") Arm	2.5 (8' 2") Arm	3.2 (10' 6") Arm	4.05 (13' 3") Arm	2.2 (7' 3") Arm
0.90 (1.18)	0.80 (1.05)	950 (37.4)	1,070 (42.1)	870 (1,920)	●	●	●	●	●
1.14 (1.49)	1.00 (1.31)	1,110 (43.7)	1,230 (48.4)	980 (2,160)	●	●	●	●	●
1.44 (1.88)	1.25 (1.63)	1,380 (54.3)	1,500 (59.1)	1,110 (2,450)	●	●	●	■	●
1.74 (2.28)	1.50 (1.96)	1,620 (63.8)	1,740 (68.5)	1,230 (2,710)	●	●	■	▲	●
2.10 (2.75)	1.80 (2.35)	1,910 (75.2)	2,030 (79.9)	1,370 (3,020)	■	■	▲	—	■
◆ 1.44 (1.88)	1.25 (1.63)	1,470 (57.9)	-	1,380 (3,040)	●	●	■	▲	●
● 1.44 (1.88)	1.25 (1.63)	1,470 (57.9)	-	1,470 (3,240)	●	●	■	▲	●
● 1.73 (2.26)	1.50 (1.96)	1,710 (67.3)	-	1,610 (3,550)	■	■	▲	—	●

- ◆ Heavy-duty bucket
- Rock-Heavy duty bucket

- Applicable for materials with density of 2,000 kg /m<sup>3</sup> (3,370 lb/ yd<sup>3</sup>) or less
- Applicable for materials with density of 1,600 kg /m<sup>3</sup> (2,700 lb/ yd<sup>3</sup>) or less
- ▲ Applicable for materials with density of 1,100 kg /m<sup>3</sup> (1,850 lb/ yd<sup>3</sup>) or less

## ATTACHMENT R330LC-9A

Booms and arms are welded with a low-stress, full-box section design.

6.15 m (20' 2") & 6.45 m (21' 2") booms and 2.2 m (7' 3"); 2.5 m (8' 2"); 3.2 m (10' 6") & 4.05 m (13' 3") arms are available.

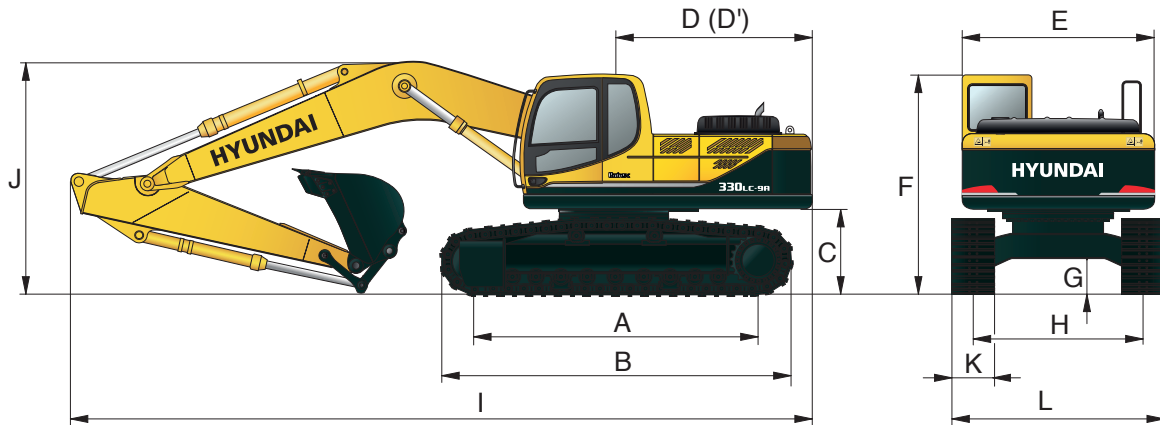
## DIGGING FORCE R330LC-9A

Boom	Length	mm (ft-in)	6,450 (21' 2")				Remarks:
	Weight	kg (lb)	3,030 (6,680)				
Arm	Length	mm (ft-in)	2,200 (7' 3")	2,500 (8' 2")	3,200 (10' 6")	4,050 (13' 3")	[ ]: Power Boost
	Weight	kg (lb)	1,560 (3,440)	1,650 (3,640)	1,770 (3,900)	1,870 (4,120)	
Bucket digging force	SAE	kN	189.3 [205.5]	189.3 [205.5]	189.3 [205.5]	189.3 [205.5]	
		kgf	19,300 [20,950]	19,300 [20,950]	19,300 [20,950]	19,300 [20,950]	
		lbf	42,550 [46,200]	42,550 [46,200]	42,550 [46,200]	42,550 [46,200]	
	ISO	kN	211.8 [230.0]	211.8 [230.0]	211.8 [230.0]	211.8 [230.0]	
		kgf	21,600 [23,450]	21,600 [23,450]	21,600 [23,450]	21,600 [23,450]	
		lbf	47,620 [51,700]	47,620 [51,700]	47,620 [51,700]	47,620 [51,700]	
Arm crowd force	SAE	kN	196.6 [213.4]	178.9 [194.2]	143.2 [155.5]	119.6 [129.9]	
		kgf	20,000 [21,760]	18,200 [19,810]	14,600 [15,850]	12,200 [13,240]	
		lbf	44,190 [47,980]	40,220 [43,670]	32,190 [34,950]	26,890 [29,190]	
	ISO	kN	202.8 [220.2]	185.1 [201.0]	147.1 [159.7]	122.7 [133.3]	
		kgf	20,700 [22,450]	18,900 [20,500]	15,000 [16,290]	12,515 [13,590]	
		lbf	45,600 [49,510]	41,620 [45,190]	33,070 [35,900]	27,590 [29,950]	

Note: Boom weight includes arm cylinder, piping and pin  
Arm weight includes bucket cylinder, linkage and pin

# Dimensions & Working Ranges

## DIMENSIONS R330LC-9A / R330NLC-9A



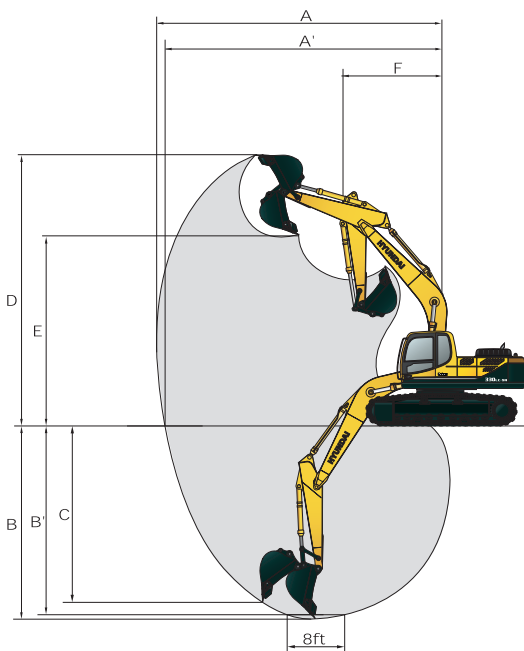
mm (ft · in)

mm (ft · in)

A Tumbler distance	R330LC-9A	4,030 (13' 3")	Boom length				6,450 (21' 2")	6,150 (20' 2")			
	R330NLC-9A	4,030 (13' 3")	Arm length				2,200 (7' 3")	2,500 (8' 2")	3,200 (10' 6")	4,050 (13' 3")	2,200 (7' 3")
B Overall length of crawler		4,940 (16' 2")	I Overall length				11,470 (37' 8")	11,340 (37' 2")	11,220 (36' 10")	11,220 (36' 10")	11,170 (36' 8")
C Ground clearance of counterweight		1,200 (3' 11")	J Overall height of boom				3,640 (11' 11")	3,670 (12' 0")	3,380 (11' 1")	3,860 (12' 8")	3,680 (12' 1")
D Tail swing radius		3,560 (11' 8")	K Track shoe width				600 (24")	700 (28")	800 (32")	900 (36")	
D' Rear-end length		3,504 (11' 6")	L Overall width				R330LC-9A	3,200 (10' 6")	3,300 (10' 10")	3,400 (11' 2")	3,500 (11' 16")
E Overall width of upperstructure		2,980 (9' 9")	R330NLC-9A				R330NLC-9A	2,990 (9' 10")	-	-	-
F Overall height of cab		3,130 (10' 3")									
G Min. ground clearance		500 (1' 8")									
H Track gauge	R330LC-9A	2,680 (8' 10")									
	R330NLC-9A	2,390 (7' 10")									

## WORKING RANGES R330LC-9A / R330NLC-9A

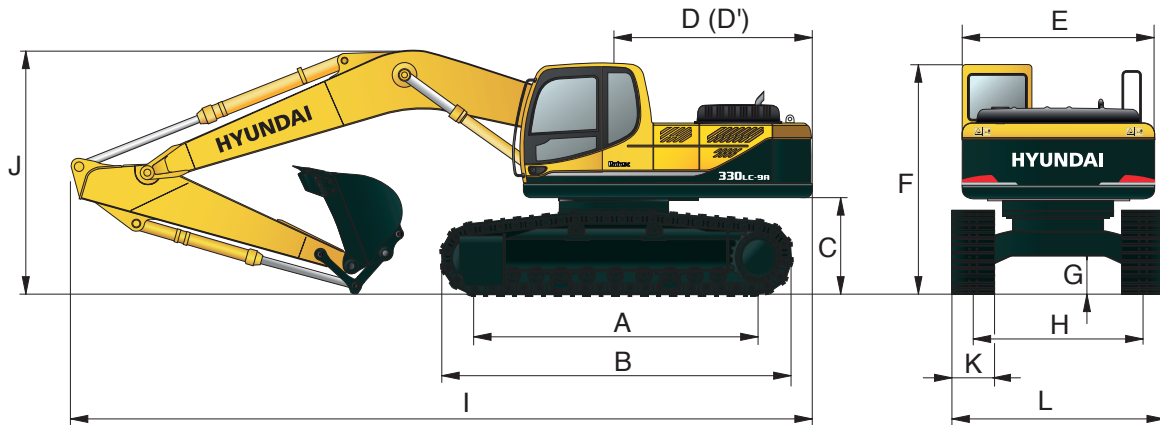
mm (ft · in)



Boom length	6,450 (21' 2")				6,150 (20' 2")
Arm length	2,200 (7' 3")	2,500 (8' 2")	3,200 (10' 6")	4,050 (13' 3")	2,200 (7' 3")
A Max. digging reach	10,330 (33' 11")	10,550 (34' 7")	11,140 (36' 7")	11,950 (39' 2")	10,020 (32' 10")
A' Max. digging reach on ground	10,110 (33' 2")	10,330 (33' 11")	10,940 (35' 11")	11,760 (38' 7")	9,800 (32' 2")
B Max. digging depth	6,370 (20' 11")	6,670 (21' 11")	7,370 (24' 2")	8,220 (26' 12")	6,160 (20' 3")
B' Max. digging depth (8' level)	6,160 (20' 3")	6,470 (21' 3")	7,210 (23' 8")	8,080 (26' 6")	5,950 (19' 6")
C Max. vertical wall digging depth	5,980 (19' 7")	5,920 (19' 5")	6,360 (20' 10")	7,260 (23' 10")	5,710 (18' 9")
D Max. digging height	10,220 (33' 6")	10,170 (33' 4")	10,310 (33' 10")	10,710 (35' 2")	9,940 (32' 7")
E Max. dumping height	7,050 (23' 2")	7,050 (23' 2")	7,240 (23' 9")	7,630 (25' 0")	6,780 (22' 3")
F Min. front swing radius	4,700 (15' 5")	4,500 (14' 9")	4,470 (14' 8")	4,470 (14' 8")	4,520 (14' 10")

# Dimensions & Working Ranges

## DIMENSIONS R330LC-9A HIGH WALKER



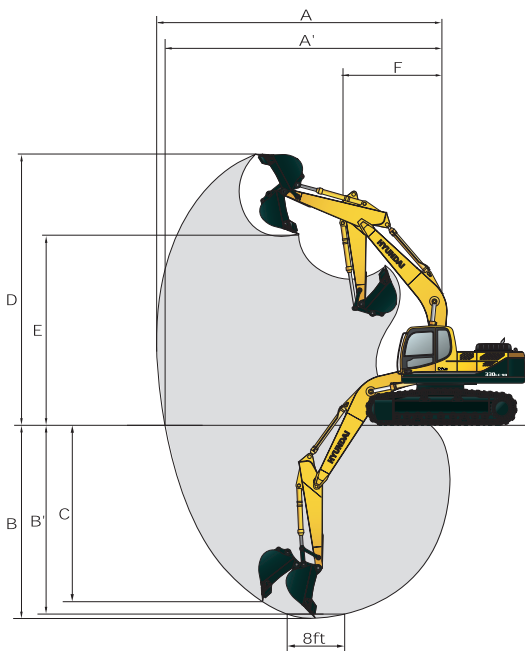
mm (ft · in)

mm (ft · in)

<b>A</b> Tumbler distance	4,030 (13' 3")	Boom length	6,450 (21' 2")				6,150 (20' 2")
<b>B</b> Overall length of crawler	4,940 (16' 2")	Arm length	2,200 (7' 3")	2,500 (8' 2")	3,200 (10' 6")	4,050 (13' 3")	2,200 (7' 3")
<b>C</b> Ground clearance of counterweight	1,500 (4' 11")	<b>I</b> Overall length	11,460 (37' 7")	11,340 (37' 2")	11,150 (36' 7")	11,240 (36' 11")	11,160 (36' 7")
<b>D</b> Tail swing radius	3,560 (11' 8")	<b>J</b> Overall height of boom	3,740 (12' 3")	3,760 (12' 4")	3,360 (11' 0")	3,810 (12' 6")	3,780 (12' 5")
<b>D'</b> Rear-end length	3,504 (11' 6")	<b>K</b> Track shoe width	Type	Triple grouser			Double grouser
<b>E</b> Overall width of upperstructure	2,980 (9' 9")		Width	600 (24")	700 (28")	800 (32")	700 (28")
<b>F</b> Overall height of cab	3,390 (11' 1")	<b>L</b> Overall width		3,470 (11' 5")	3,570 (11' 9")	3,670 (12' 0")	3,570 (11' 9")
<b>G</b> Min. ground clearance	765 (2' 6")						
<b>H</b> Track gauge	2,870 (9' 5")						

## WORKING RANGES R330LC-9A HIGH WALKER

mm (ft · in)



Boom length	6,450 (21' 2")				6,150 (20' 2")
Arm length	2,200 (7' 3")	2,500 (8' 2")	3,200 (10' 6")	4,050 (13' 3")	2,200 (7' 3")
<b>A</b> Max. digging reach	10,330 (33' 11")	10,550 (34' 7")	11,140 (36' 7")	11,950 (39' 2")	10,020 (32' 10")
<b>A'</b> Max. digging reach on ground	10,040 (32' 11")	10,270 (33' 8")	10,880 (35' 8")	11,710 (38' 5")	9,730 (31' 11")
<b>B</b> Max. digging depth	6,100 (20' 0")	6,400 (20' 12")	7,100 (23' 4")	7,950 (26' 1")	5,880 (19' 3")
<b>B'</b> Max. digging depth (8' level)	5,890 (19' 4")	6,200 (20' 4")	6,940 (22' 9")	7,950 (26' 1")	5,680 (18' 8")
<b>C</b> Max. vertical wall digging depth	5,700 (18' 8")	5,650 (18' 6")	6,080 (19' 11")	6,980 (22' 11")	5,440 (17' 10")
<b>D</b> Max. digging height	10,500 (34' 5")	10,450 (34' 3")	10,590 (34' 9")	10,990 (36' 1")	10,220 (33' 6")
<b>E</b> Max. dumping height	7,330 (24' 1")	10,450 (34' 3")	7,520 (24' 8")	7,910 (25' 11")	7,060 (23' 2")
<b>F</b> Min. front swing radius	4,700 (15' 5")	4,500 (14' 9")	4,470 (14' 8")	4,470 (14' 8")	4,520 (14' 10")

# Lifting Capacities

## R330LC-9A

Rating over-front Rating over-side or 360 degrees

Boom : 6.45 m (21' 2") / Arm : 2.2 m (7' 3") / Bucket : 1.44 m<sup>3</sup> (1.88 yd<sup>3</sup>) SAE heaped / Shoe : 600 mm (24") triple grouser

Load point height m (ft)		Load radius								At max. reach		
		3.0 m (10 ft)		4.5 m (15 ft)		6.0 m (20 ft)		7.5 m (25 ft)		Capacity		Reach
												m (ft)
7.5 m (25 ft)	kg									*7120	5470	8.07
	lb									*15700	12060	(26.5)
6.0 m (20 ft)	kg					*8220	*8220	*7700	6100	6850	4420	8.95
	lb					*18120	*18120	*16980	13450	15100	9740	(29.4)
4.5 m (15 ft)	kg			*12360	*12360	*9550	8590	*8250	5910	6100	3890	9.47
	lb			*27250	*27250	*21050	18940	*18190	13030	13450	8580	(31.1)
3.0 m (10 ft)	kg					*11160	8050	8860	5660	5770	3630	9.70
	lb					*24600	17750	19530	12480	12720	8000	(31.8)
1.5 m (5 ft)	kg					12300	7610	8600	5420	5740	3600	9.66
	lb					27120	16780	18960	11950	12650	7940	(31.7)
Ground Line	kg			*18470	11470	12020	7370	8430	5260	6030	3780	9.34
	lb			*40720	25290	26500	16250	18580	11600	13290	8330	(30.6)
-1.5 m (-5 ft)	kg	*14420	*14420	*17890	11520	11960	7310	8380	5220	6770	4270	8.72
	lb	*31790	*31790	*39440	25400	26370	16120	18470	11510	14930	9410	(28.6)
-3.0 m (-10 ft)	kg	*22130	*22130	*16390	11720	12070	7410			*7930	5330	7.70
	lb	*48790	*48790	*36130	25840	26610	16340			*17480	11750	(25.3)
-4.5 m (-15 ft)	kg	*17840	*17840	*13400	12130							
	lb	*39330	*39330	*29540	26740							

Boom : 6.45 m (21' 2") / Arm : 2.5 m (8' 2") / Bucket : 1.44 m<sup>3</sup> (1.88 yd<sup>3</sup>) SAE heaped / Shoe : 600 mm (24") triple grouser

Load point height m (ft)		Load radius								At max. reach				
		3.0 m (10 ft)		4.5 m (15 ft)		6.0 m (20 ft)		7.5 m (25 ft)		9.0 m (30 ft)		Capacity	Reach	
														m (ft)
7.5 m (25 ft)	kg											*6720	5180	8.34
	lb											*14820	11420	(27.4)
6.0 m (20 ft)	kg							*7320	6140			6560	4220	9.19
	lb							*16140	13540			14460	9300	(30.2)
4.5 m (15 ft)	kg			*11600	*11600	*9120	8640	*7930	5930			5860	3720	9.70
	lb			*25570	*25570	*20110	19050	*17480	13070			12920	8200	(31.8)
3.0 m (10 ft)	kg			*15130	12530	*10770	8070	*8770	5650			5540	3470	9.92
	lb			*33360	27620	*23740	17790	*19330	12460			12210	7650	(32.5)
1.5 m (5 ft)	kg			*17590	11670	*12210	7600	8570	5390	6370	3990	5500	3430	9.88
	lb			*38780	25730	*26920	16760	18890	11880	14040	8800	12130	7560	(32.4)
Ground Line	kg			*18360	11380	11970	7310	8380	5210			5760	3590	9.57
	lb			*40480	25090	26390	16120	18470	11490			12700	7910	(31.4)
-1.5 m (-5 ft)	kg	*15010	*15010	*18010	11370	11860	7220	8300	5150			6410	4020	8.97
	lb	*33090	*33090	*39710	25070	26150	15920	18300	11350			14130	8860	(29.4)
-3.0 m (-10 ft)	kg	*22800	*22800	*16720	11550	11950	7300					7830	4950	7.98
	lb	*50270	*50270	*36860	25460	26350	16090					17260	10910	(26.2)
-4.5 m (-15 ft)	kg	*19110	*19110	*14080	11930	*10340	7590					*7300	7270	6.42
	lb	*42130	*42130	*31040	26300	*22800	16730					*16090	16030	(21.1)

Boom : 6.45 m (21' 2") / Arm : 3.2 m (10' 6") / Bucket : 1.44 m<sup>3</sup> (1.88 yd<sup>3</sup>) SAE heaped / Shoe : 600 mm (24") triple grouser

Load point height m (ft)		Load radius										At max. reach				
		1.5 m (5 ft)		3.0 m (10 ft)		4.5 m (15 ft)		6.0 m (20 ft)		7.5 m (25 ft)		9.0 m (30 ft)		Capacity	Reach	
																m (ft)
7.5 m (25 ft)	kg									*5240	*5240			*5970	4490	9.06
	lb									*11550	*11550			*13160	9900	(29.7)
6.0 m (20 ft)	kg									*6500	6260			5850	3730	9.84
	lb									*14330	13800			12900	8220	(32.3)
4.5 m (15 ft)	kg							*8090	*8090	*7190	6000	*5440	4280	5270	3310	10.31
	lb							*17840	*17840	*15850	13230	*11990	9440	11620	7300	(33.8)
3.0 m (10 ft)	kg					*13400	12930	*9820	8190	*8110	5690	6520	4120	4990	3090	10.52
	lb					*29540	28510	*21650	18060	*17880	12540	14370	9080	11000	6810	(34.5)
1.5 m (5 ft)	kg					*16400	11850	*11460	7640	8570	5380	6350	3960	4950	3040	10.48
	lb					*36160	26120	*25260	16840	18890	11860	14000	8730	10910	6700	(34.4)
Ground Line	kg			*10240	*10240	*17910	11320	11930	7270	8320	5150	6210	3830	5130	3150	10.19
	lb			*22580	*22580	*39480	24960	26300	16030	18340	11350	13690	8440	11310	6940	(33.4)
-1.5 m (-5 ft)	kg	*11380	*11380	*14470	*14470	*18150	11170	11730	7090	8180	5030			5620	3470	9.63
	lb	*25090	*25090	*31900	*31900	*40010	24630	25860	15630	18030	11090			12390	7650	(31.6)
-3.0 m (-10 ft)	kg	*15350	*15350	*19470	*19470	*17370	11250	11730	7090	8190	5040			6640	4140	8.74
	lb	*33840	*33840	*42920	*42920	*38290	24800	25860	15630	18060	11110			14640	9130	(28.7)
-4.5 m (-15 ft)	kg			*21820	*21820	*15410	11530	*11430	7270					*7480	5630	7.37
	lb			*48100	*48100	*33970	25420	*25200	16030					*16490	12410	(24.2)
-6.0 m (-20 ft)	kg					*11340	*11340									
	lb					*25000	*25000									

- Lifting capacity is based on SAE J1097, ISO 10567.
- Lifting capacity of the Robex Series does not exceed 75% of the tipping load with the machine on firm, level ground or 87% of full hydraulic capacity.
- The load point is a hook located on the back of the bucket.
- (\*) indicates the load limited by hydraulic capacity.

# Lifting Capacities

## R330LC-9A

Rating over-front Rating over-side or 360 degrees

 Boom : 6.45 m (21' 2") / Arm : 4.05 m (13' 3") / Bucket : 1.44 m<sup>3</sup> (1.88 yd<sup>3</sup>) SAE heaped / Shoe : 600 mm (24") triple grouser

Load point height m (ft)	Load radius												At max. reach			
	1.5 m (5 ft)		3.0 m (10 ft)		4.5 m (15 ft)		6.0 m (20 ft)		7.5 m (25 ft)		9.0 m (30 ft)		Capacity		Reach	
															m (ft)	
7.5 m (25 ft)	kg													*5250	3750	10.00
	lb													*11570	8270	(32.8)
6.0 m (20 ft)	kg										*4530	4510	5050	3180	10.71	
	lb										*9990	9940	11130	7010	(35.1)	
4.5 m (15 ft)	kg								*6270	6160	*5750	4370	4610	2850	11.13	
	lb								*13820	13580	*12680	9630	10160	6280	(36.5)	
3.0 m (10 ft)	kg			*18220	*18220	*11250	*11250	*8610	8460	*7280	5810	*6530	4180	4380	2670	11.32
	lb			*40170	*40170	*24800	*24800	*18980	18650	*16050	12810	*14400	9220	9660	5890	(37.1)
1.5 m (5 ft)	kg			*10440	*10440	*14750	12310	*10470	7840	*8360	5460	6380	3980	4330	2620	11.29
	lb			*23020	*23020	*32520	27140	*23080	17280	*18430	12040	14070	8770	9550	5780	(37.0)
Ground Line	kg			*10810	*10810	*17060	11520	*11950	7360	8350	5180	6200	3810	4460	2690	11.03
	lb			*23830	*23830	*37610	25400	*26350	16230	18410	11420	13670	8400	9830	5930	(36.2)
-1.5 m (-5 ft)	kg	*9850	*9850	*13390	*13390	*18030	11170	11730	7080	8150	4990	6080	3710	4810	2920	10.52
	lb	*21720	*21720	*29520	*29520	*39750	24630	25860	15610	17970	11000	13400	8180	10600	6440	(34.5)
-3.0 m (-10 ft)	kg	*13020	*13020	*16980	*16980	*17900	11100	11620	6990	8070	4920	6070	3700	5510	3380	9.72
	lb	*28700	*28700	*37430	*37430	*39460	24470	25620	15410	17790	10850	13380	8160	12150	7450	(31.9)
-4.5 m (-15 ft)	kg	*16670	*16670	*21800	*21800	*16680	11260	11700	7060	8150	5000			6910	4310	8.53
	lb	*36750	*36750	*48060	*48060	*36770	24820	25790	15560	17970	11020			15230	9500	(28.0)
-6.0 m (-20 ft)	kg			*20030	*20030	*13950	11640	*10120	7340					*6790	6610	6.71
	lb			*44160	*44160	*30750	25660	*22310	16180					*14970	14570	(22.0)

## R330NLC-9A

Rating over-front Rating over-side or 360 degrees

 Boom : 6.45 m (21' 2") / Arm : 2.2 m (7' 3") / Bucket : 1.44 m<sup>3</sup> (1.88 yd<sup>3</sup>) SAE heaped / Shoe : 600 mm (24") triple grouser

Load point height m (ft)	Load radius								At max. reach			
	3.0 m (10 ft)		4.5 m (15 ft)		6.0 m (20 ft)		7.5 m (25 ft)		Capacity		Reach	
											m (ft)	
7.5 m (25 ft)	kg									*7120	4630	8.07
	lb									*15700	10210	(26.5)
6.0 m (20 ft)	kg					*8220	7700	*7700	5160	6810	3700	8.95
	lb					*18120	16980	*16980	11380	15010	8160	(29.4)
4.5 m (15 ft)	kg			*12360	11430	*9550	7260	*8250	4980	6060	3220	9.47
	lb			*27250	25200	*21050	16010	*18190	10980	13360	7100	(31.1)
3.0 m (10 ft)	kg					*11160	6740	8800	4730	5730	2990	9.70
	lb					*24600	14860	19400	10430	12630	6590	(31.8)
1.5 m (5 ft)	kg					12230	6320	8540	4500	5700	2960	9.66
	lb					26960	13930	18830	9920	12570	6530	(31.7)
Ground Line	kg			*18480	9360	11950	6090	8370	4350	5990	3110	9.34
	lb			*40740	20640	26350	13430	18450	9590	13210	6860	(30.6)
-1.5 m (-5 ft)	kg	*14420	*14420	*17900	9400	11880	6030	8330	4310	6730	3530	8.72
	lb	*31790	*31790	*39460	20720	26190	13290	18360	9500	14840	7780	(28.6)
-3.0 m (-10 ft)	kg	*22140	19480	*16390	9590	12000	6130			*7930	4450	7.70
	lb	*48810	42950	*36130	21140	26460	13510			*17480	9810	(25.3)
-4.5 m (-15 ft)	kg	*17840	*17840	*13410	9980							
	lb	*39330	*39330	*29560	22000							

 Boom : 6.45 m (21' 2") / Arm : 2.5 m (8' 2") / Bucket : 1.44 m<sup>3</sup> (1.88 yd<sup>3</sup>) SAE heaped / Shoe : 600mm (24") triple grouser

Load point height m (ft)	Load radius										At max. reach			
	3.0 m (10 ft)		4.5 m (15 ft)		6.0 m (20 ft)		7.5 m (25 ft)		9.0 m (30 ft)		Capacity		Reach	
													m (ft)	
7.5 m (25 ft)	kg											*6720	4380	8.34
	lb											*14820	9660	(27.4)
6.0 m (20 ft)	kg							*7320	5200			6520	3530	9.19
	lb							*16140	11460			14370	7780	(30.2)
4.5 m (15 ft)	kg			*11600	11590	*9120	7300	*7930	4990			5820	3070	9.70
	lb			*25570	25550	*20110	16090	*17480	11000			12830	6770	(31.8)
3.0 m (10 ft)	kg			*15130	10350	*10770	6760	*8770	4720			5500	2850	9.92
	lb			*33360	22820	*23740	14900	*19330	10410			12130	6280	(32.5)
1.5 m (5 ft)	kg			*17590	9540	*12210	6300	8520	4470	6330	3280	5460	2800	9.88
	lb			*38780	21030	*26920	13890	18780	9850	13960	7230	12040	6170	(32.4)
Ground Line	kg			*18360	9270	11890	6030	8320	4300			5720	2930	9.57
	lb			*40480	20440	26210	13290	18340	9480			12610	6460	(31.4)
-1.5 m (-5 ft)	kg	*15010	*15010	*18010	9260	11790	5940	8250	4240			6370	3300	8.97
	lb	*33090	*33090	*39710	20410	25990	13100	18190	9350			14040	7280	(29.4)
-3.0 m (-10 ft)	kg	*22800	19140	*16720	9430	11870	6010					7780	4110	7.98
	lb	*50270	42200	*36860	20790	26170	13250					17150	9060	(26.2)
-4.5 m (-15 ft)	kg	*19110	*19110	*14080	9780	*10340	6290					*7300	6090	6.42
	lb	*42130	*42130	*31040	21560	*22800	13870					*16090	13430	(21.1)

- Lifting capacity is based on SAE J1097, ISO 10567.
- Lifting capacity of the Robex Series does not exceed 75% of the tipping load with the machine on firm, level ground or 87% of full hydraulic capacity.
- The load point is a hook located on the back of the bucket.
- (\*) indicates the load limited by hydraulic capacity.

# Lifting Capacities

## R330NLC-9A

Rating over-front Rating over-side or 360 degrees

Boom : 6.45 m (21' 2") / Arm : 3.2 m (10' 6") / Bucket : 1.44 m<sup>3</sup> (1.88 yd<sup>3</sup>) SAE heaped / Shoe : 600 mm (24") triple grouser

Load point height m (ft)		Load radius										At max. reach				
		1.5 m (5 ft)		3.0 m (10 ft)		4.5 m (15 ft)		6.0 m (20 ft)		7.5 m (25 ft)		9.0 m (30 ft)		Capacity		Reach
																m (ft)
7.5 m	kg									*5240	*5240			*5970	3780	9.06
(25 ft)	lb									*11550	*11550			*13160	8330	(29.7)
6.0 m	kg									*6500	5310			5810	3100	9.84
(20 ft)	lb									*14330	11710			12810	6830	(32.3)
4.5 m	kg							*8090	7460	*7190	5060	*5440	3560	5240	2710	10.31
(15 ft)	lb							*17840	16450	*15850	11160	*11990	7850	11550	5970	(33.8)
3.0 m	kg				*13400	10720		*9820	6870	*8110	4750	6480	3410	4960	2510	10.52
(10 ft)	lb				*29540	23630		*21650	15150	*17880	10470	14290	7520	10930	5530	(34.5)
1.5 m	kg				*16400	9700		*11460	6340	8520	4460	6300	3250	4910	2460	10.48
(5 ft)	lb				*36160	21380		*25260	13980	18780	9830	13890	7170	10820	5420	(34.4)
Ground Line	kg			*10240	*10240	*17910	9210	11850	5980	8260	4230	6170	3130	5090	2550	10.19
	lb			*22580	*22580	*39480	20300	26120	13180	18210	9330	13600	6900	11220	5620	(33.4)
-1.5 m	kg	*11380	*11380	*14470	*14470	*18150	9070	11650	5810	8130	4120			5580	2820	9.63
(-5 ft)	lb	*25090	*25090	*31900	*31900	*40010	20000	25680	12810	17920	9080			12300	6220	(31.6)
-3.0 m	kg	*15350	*15350	*19470	18530	*17370	9140	11650	5810	8130	4120			6590	3400	8.74
(-10 ft)	lb	*33840	*33840	*42920	40850	*38290	20150	25680	12810	17920	9080			14530	7500	(28.7)
-4.5 m	kg			*21820	19060	*15410	9400	*11430	5980					*7480	4680	7.37
(-15 ft)	lb			*48100	42020	*33970	20720	*25200	13180					*16490	10320	(24.2)
-6.0 m	kg					*11340	9950									
(-20 ft)	lb					*25000	21940									

Boom : 6.45 m (21' 2") / Arm : 4.05 m (13' 3") / Bucket : 1.44 m<sup>3</sup> (1.88 yd<sup>3</sup>) SAE heaped / Shoe : 600 mm (24") triple grouser

Load point height m (ft)		Load radius										At max. reach				
		1.5 m (5 ft)		3.0 m (10 ft)		4.5 m (15 ft)		6.0 m (20 ft)		7.5 m (25 ft)		9.0 m (30 ft)		Capacity		Reach
																m (ft)
7.5 m	kg													*5250	3120	10.00
(25 ft)	lb													*11570	6880	(32.8)
6.0 m	kg											*4530	3780	5020	2610	10.71
(20 ft)	lb											*9990	8330	11070	5750	(35.1)
4.5 m	kg									*6270	5210	*5750	3650	4580	2310	11.13
(15 ft)	lb									*13820	11490	*12680	8050	10100	5090	(36.5)
3.0 m	kg			*18220	*18220	*11250	*11250	*8610	7130	*7280	4870	*6530	3460	4350	2140	11.32
(10 ft)	lb			*40170	*40170	*24800	*24800	*18980	15720	*16050	10740	*14400	7630	9590	4720	(37.1)
1.5 m	kg			*10440	*10440	*14750	10140	*10470	6520	*8360	4540	6340	3270	4300	2090	11.29
(5 ft)	lb			*23020	*23020	*32520	22350	*23080	14370	*18430	10010	13980	7210	9480	4610	(37.0)
Ground Line	kg			*10810	*10810	*17060	9390	*11950	6070	8300	4260	6150	3110	4430	2150	11.03
	lb			*23830	*23830	*37610	20700	*26350	13380	18300	9390	13560	6860	9770	4740	(36.2)
-1.5 m	kg	*9850	*9850	*13390	*13390	*18030	9060	11650	5800	8090	4080	6040	3000	4780	2340	10.52
(-5 ft)	lb	*21720	*21720	*29520	*29520	*39750	19970	25680	12790	17840	8990	13320	6610	10540	5160	(34.5)
-3.0 m	kg	*13020	*13020	*16980	*16980	*17900	9000	11540	5710	8020	4010	6030	2990	5470	2740	9.72
(-10 ft)	lb	*28700	*28700	*37430	*37430	*39460	19840	25440	12590	17680	8840	13290	6590	12060	6040	(31.9)
-4.5 m	kg	*16670	*16670	*21800	18540	*16680	9140	11630	5780	8100	4080			6860	3540	8.53
(-15 ft)	lb	*36750	*36750	*48060	40870	*36770	20150	25640	12740	17860	8990			15120	7800	(28.0)
-6.0 m	kg			*20030	19240	*13950	9510	*10120	6050					*6790	5510	6.71
(-20 ft)	lb			*44160	42420	*30750	20970	*22310	13340					*14970	12150	(22.0)

## R330LC-9A HIGH WALKER

Rating over-front Rating over-side or 360 degrees

Boom : 6.45 m (21' 2") / Arm : 2.2 m (7' 3") / Bucket : 1.44 m<sup>3</sup> (1.88 yd<sup>3</sup>) SAE heaped / Shoe : 600 mm (24") triple grouser

Load point height m (ft)		Load radius						At max. reach				
		3.0 m (10 ft)		4.5 m (15 ft)		6.0 m (20 ft)		7.5 m (25 ft)		Capacity		Reach
												m (ft)
7.5 m	kg									*7120	6060	8.27
(25 ft)	lb									*15700	13360	(27.1)
6.0 m	kg					*8420	*8420	*7770	7050	*7190	5040	9.07
(20 ft)	lb					*18560	*18560	*17130	15540	*15850	11110	(29.8)
4.5 m	kg			*13030	*13030	*9840	9840	*8390	6830	6630	4520	9.53
(15 ft)	lb			*28730	*28730	*21690	21690	*18500	15060	14620	9960	(31.3)
3.0 m	kg					*11450	9290	*9200	6570	6340	4290	9.71
(10 ft)	lb					*25240	20480	*20280	14480	13980	9460	(31.9)
1.5 m	kg					*12720	8880	9390	6340	6370	4300	9.62
(5 ft)	lb					*28040	19580	20700	13980	14040	9480	(31.6)
Ground Line	kg			*18430	13590	13140	8670	9240	6210	6770	4570	9.25
	lb			*40630	29960	28970	19110	20370	13690	14930	10080	(30.3)
-1.5 m	kg	*16090	*16090	*17690	13670	13110	8640	9230	6190	7680	5210	8.56
(-5 ft)	lb	*35470	*35470	*39000	30140	28900	19050	20350	13650	16930	11490	(28.1)
-3.0 m	kg	*21530	*21530	*15980	13910	*12030	8780			*7840	6620	7.45
(-10 ft)	lb	*47470	*47470	*35230	30670	*26520	19360			*17280	14590	(24.4)
-4.5 m	kg			*12550	*12550							
(-15 ft)	lb			*27670	*27670							

# Lifting Capacities

## R330LC-9A HIGH WALKER

Rating over-front Rating over-side or 360 degrees

Boom : 6.45 m (21' 2") / Arm : 2.5 m (8' 2") / Bucket : 1.44 m<sup>3</sup> (1.88 yd<sup>3</sup>) SAE heaped / Shoe : 600 mm (24") triple grouser

Load point height m (ft)	Load radius										At max. reach			
	3.0 m (10 ft)		4.5 m (15 ft)		6.0 m (20 ft)		7.5 m (25 ft)		9.0 m (30 ft)		Capacity		Reach	
													m (ft)	
7.5 m (25 ft)	kg											*6730	5760	8.53
6.0 m (20 ft)	kg							*7410	7080			*14840	12700	(28.0)
4.5 m (15 ft)	kg							*16340	15610			*6840	4820	9.31
3.0 m (10 ft)	kg							*17790	15100			*15080	10630	(30.5)
1.5 m (5 ft)	kg			*12260	*12260	*9420	*9420	*8070	6850			6370	4330	9.76
Ground Line	kg			*27030	*27030	*20770	*20770	*1790	15100			14040	9550	(32.0)
	lb			*15720	14470	*11070	9310	*8930	6560	7140	4840	6090	4110	9.93
-1.5 m (-5 ft)	kg	*16360	*16360	*17850	13520	13010	8550	9140	6110			6120	4110	9.84
-3.0 m (-10 ft)	kg	*36070	*36070	*39350	29810	28680	18850	20150	13470			13430	9060	(32.6)
-4.5 m (-15 ft)	kg	*22580	*22580	*16360	13730	*12250	8650					13490	9060	(32.3)
	lb	*49780	*49780	*36070	30270	*27010	19070					6460	4340	9.48
	lb	*39790	*39790	*29410	*29410							14240	9570	(31.1)
	lb											7280	4910	8.82
	lb											16050	10820	(28.9)
	lb											*7890	6140	7.75
	lb											*17390	13540	(25.4)

Boom : 6.45 m (21' 2") / Arm : 3.2 m (10' 6") / Bucket : 1.44 m<sup>3</sup> (1.88 yd<sup>3</sup>) SAE heaped / Shoe : 600 mm (24") triple grouser

Load point height m (ft)	Load radius										At max. reach									
	1.5 m (5 ft)		3.0 m (10 ft)		4.5 m (15 ft)		6.0 m (20 ft)		7.5 m (25 ft)		9.0 m (30 ft)		Capacity		Reach					
															m (ft)					
7.5 m (25 ft)	kg									*5730	*5730			*5990	5050	9.24				
6.0 m (20 ft)	kg									*12630	*12630			*6130	4300	9.95				
4.5 m (15 ft)	kg									*14550	*14550			*13510	9480	(32.6)				
3.0 m (10 ft)	kg									*8400	*8400	*7350	6920	*5820	5000	10.37				
1.5 m (5 ft)	kg									*18520	*18520	*16200	15260	*12830	11020	12720	8550	(34.0)		
Ground Line	kg									*10150	9420	*8290	6590	7170	4840	5530	3680	10.53		
	lb									*30970	*30970	*22380	20770	*18280	14530	15810	10670	12190	8110	(34.5)
-1.5 m (-5 ft)	kg	*12090	*12090	*15330	*15330	*18080	13300	12910	8400	*16800	13850	*11720	8890	*9210	6290	7000	4680	5530	3670	10.45
-3.0 m (-10 ft)	kg	*26650	*26650	*33800	*33800	*39860	29320	28460	18520	*37040	30530	*25840	19600	*20300	13870	15430	10320	12190	8090	(34.3)
-4.5 m (-15 ft)	kg	*16150	*16150	*20540	*20540	*17110	13410	*12630	8430	*20940	*20940	*14870	13750	*10980	8660			*7390	7170	7.03
	lb	*35600	*35600	*45280	*45280	*37720	29560	*27840	18580	*46160	*46160	*32780	30310	*24210	19090			*16290	15810	(23.1)

Boom : 6.45 m (21' 2") / Arm : 4.05 m (13' 3") / Bucket : 1.44 m<sup>3</sup> (1.88 yd<sup>3</sup>) SAE heaped / Shoe : 600 mm (24") triple grouser

Load point height m (ft)	Load radius										At max. reach													
	1.5 m (5 ft)		3.0 m (10 ft)		4.5 m (15 ft)		6.0 m (20 ft)		7.5 m (25 ft)		9.0 m (30 ft)		Capacity		Reach									
															m (ft)									
7.5 m (25 ft)	kg											*3030	*3030	*5280	4260	10.16								
6.0 m (20 ft)	kg											*6680	*6680	*11640	9390	(33.3)								
4.5 m (15 ft)	kg											*4770	*4770	*5430	3700	10.81								
3.0 m (10 ft)	kg											*10520	*10520	*11970	8160	(35.5)								
1.5 m (5 ft)	kg											*6440	*6440	*5980	5100	5050	3370	11.19						
Ground Line	kg											*14200	*14200	*13180	11240	11130	7430	(36.7)						
	lb											*16510	14790	*14660	10800	10710	7080	(37.2)						
-1.5 m (-5 ft)	kg	*7400	*7400	*11200	*11200	*17340	13550	*12170	8620	*20040	*20040	*11950	*11950	*8970	*8970	*7490	6710	*6650	4900	4860	3210	11.33		
-3.0 m (-10 ft)	kg	*22970	*22970	*30840	*30840	*39880	29230	28310	18450	*44180	*44180	*26350	*26350	*19780	*19780	*16510	14790	*14660	10800	10710	7080	(37.2)		
-4.5 m (-15 ft)	kg	*10420	*10420	*13990	*13990	*18090	13260	12840	8370	*22380	*22380	*15290	14280	*10790	9070	*8550	6370	7000	4700	4840	3180	11.26		
-6.0 m (-20 ft)	kg	*22970	*22970	*30840	*30840	*39880	29230	28310	18450	*17430	*17430	*22910	*22910	*16310	13440	*12000	8420	*9020	5990			*7060	5420	8.25
	lb	*38430	*38430	*50510	*50510	*35960	29630	*26460	18560	*19890	*19890	*13210										*15560	11950	(27.1)

- Lifting capacity is based on SAE J1097, ISO 10567.
- Lifting capacity of the Robex Series does not exceed 75% of the tipping load with the machine on firm, level ground or 87% of full hydraulic capacity.
- The load point is a hook located on the back of the bucket.
- (\*) indicates the load limited by hydraulic capacity.



## STANDARD EQUIPMENT R330LC-9A

### ISO Standard cabin

All-weather steel cab with 360° visibility
Safety glass windows
Rise-up type windshield wiper
Sliding fold-in front window
Sliding side window (LH)
One key fits all lockable doors
Hot & cool box
Storage compartment & Ashtray
Radio / MP3 Player with remote control and USB-input
Handsfree mobile phone system with USB-charging device
Transparent cabin roof-cover
12 volt power outlet (24V DC to 12V DC converter)
Sun visor
Rain guard - front window
Computer aided power optimization (CAPO) system
3-power modes, 2-work modes, User mode
Auto & one-touch deceleration system
Auto warm-up system
Overheat prevention system
Automatic temperature control
Air conditioner & heater
Defroster
Self-diagnostics system
Starting Aid (air grid heater) for cold weather
Centralized monitoring
LCD display
Engine speed or Trip meter
Clock
Gauges
- Fuel level gauge
- Engine coolant temperature gauge
- Hyd. oil temperature gauge
Warning lamps
- Engine warning
- Overload
- Communication error
- Low battery
- Air filter clogging
Indicators
- Max power
- Low speed/High speed
- Fuel warmer
- Auto deceleration
Rearview camera
Door and cab locks, one key
Three outside rearview mirrors
Mechanical suspension seat with heater
Adjustable joysticks
Console box tilting system
Four frontal working lights
Electric horn
Batteries (2 x 12V x 160 AH)
Battery master switch
Removable clean-out screen for coolers
Automatic swing brake
Removable reservoir tank
Fuel pre-filter with fuel warmer
Boom holding system
Arm holding system
Track shoes (600 mm; 24")
Track rail guard
Accumulator for lowering work equipment
Lower frame under cover
Viscous fan clutch
Fuel filler pump (50 l/min)
Safety lock valve for boom cylinder with overload warning device
Double-acting piping kit (clamshell, etc.)

### Travel alarm

Boom
6.45 m; 21' 2"
Arm
3.2 m; 10' 6"
Cabin ROPS (ISO 12117-2)
ROPS (Roll Over Protective Structure)
Hi-mate (Remote Management System)

## OPTIONAL EQUIPMENT R330LC-9A

Beacon lamp
Safety lock valve for arm cylinder
Single-acting piping kit (breaker, etc.)
Quick coupler
Booms
6.15 m; 20' 2"
6.45 m; 21' 2" Heavy Duty
Arms
2.2 m; 7' 3"
2.5 m; 8' 2"
3.2 m; 10' 6" Heavy Duty
4.05 m; 13' 3"
Cabin FOPS/FOG (ISO/DIS 10262 Level II)
FOPS (Falling Object Protective Structure)
FOG (Falling Object Guard)
Cabin roof-steel cover
Cabin lights
Track shoes
Triple grousers shoe (700 mm; 28")
Triple grousers shoe (800 mm; 32")
Triple grousers shoe (900 mm; 36")
Double grousers shoe (700 mm; 28")
Full track rail guard
Additional lower frame - reinforced under cover
Coolant pre-heating system
Tool kit
Operator suit
Seat
Adjustable air suspension seat with heater
Pattern change valve (2 patterns)

\* Standard and optional equipment may vary. Contact your Hyundai dealer for more information. The machine may vary according to international standards.

\* The photos may include attachments and optional equipment that are not available in your area.

\* Materials and specifications are subject to change without advance notice.

\* All imperial measurements rounded off to the nearest pound or inch.

PLEASE CONTACT



Hyundai Heavy Industries Europe N.V.

VOSSENDAAL 11, 2440 GEEL, BELGIUM TEL: (32) 14-56-2200 FAX: (32) 14-59-3405