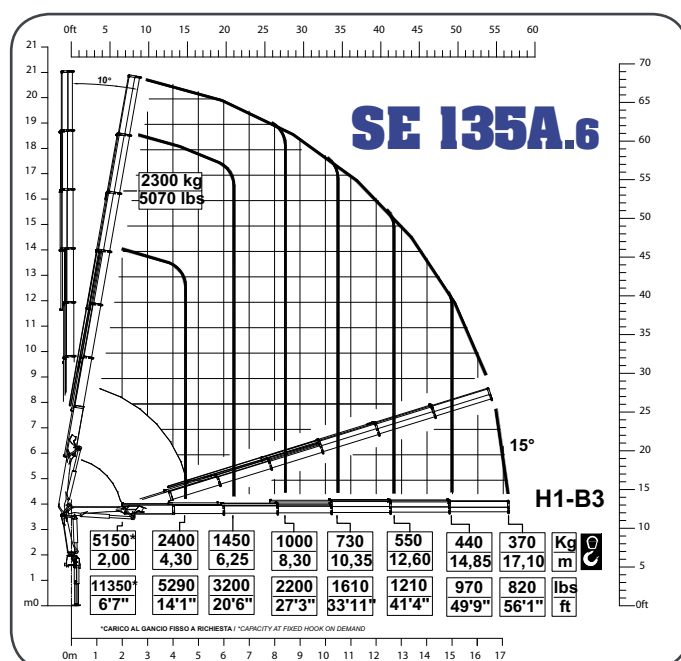
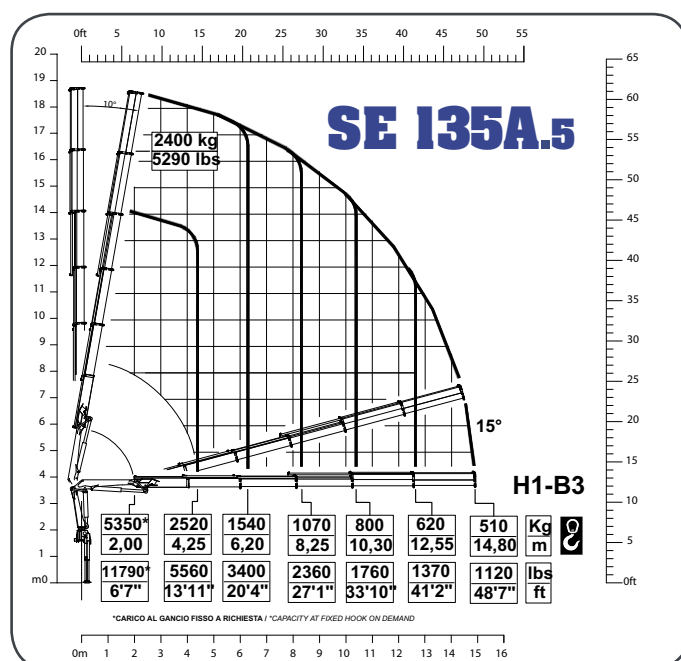
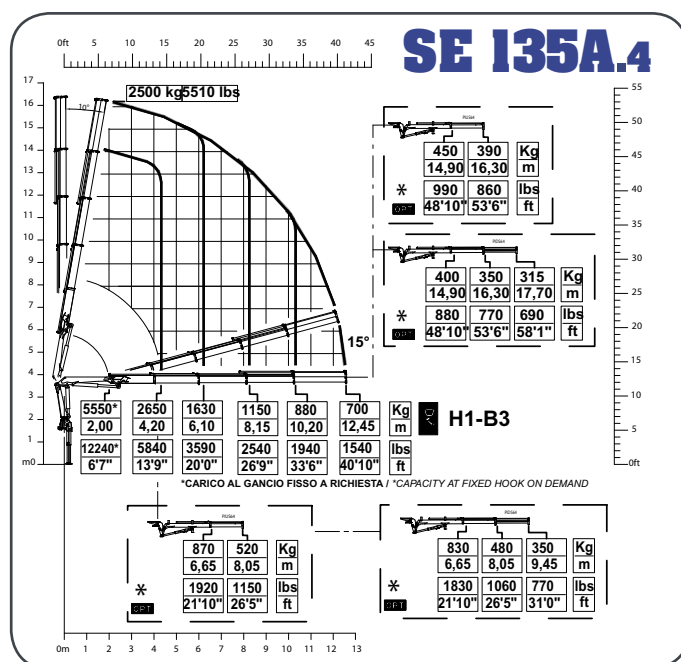
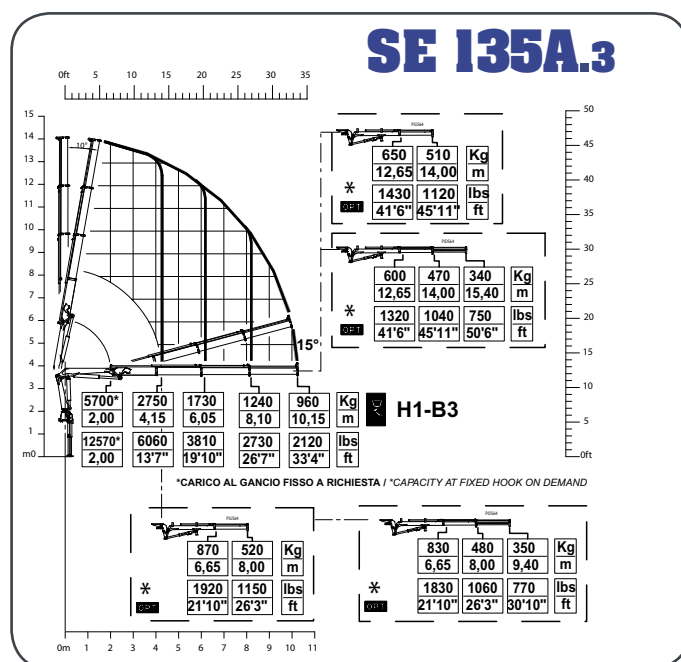
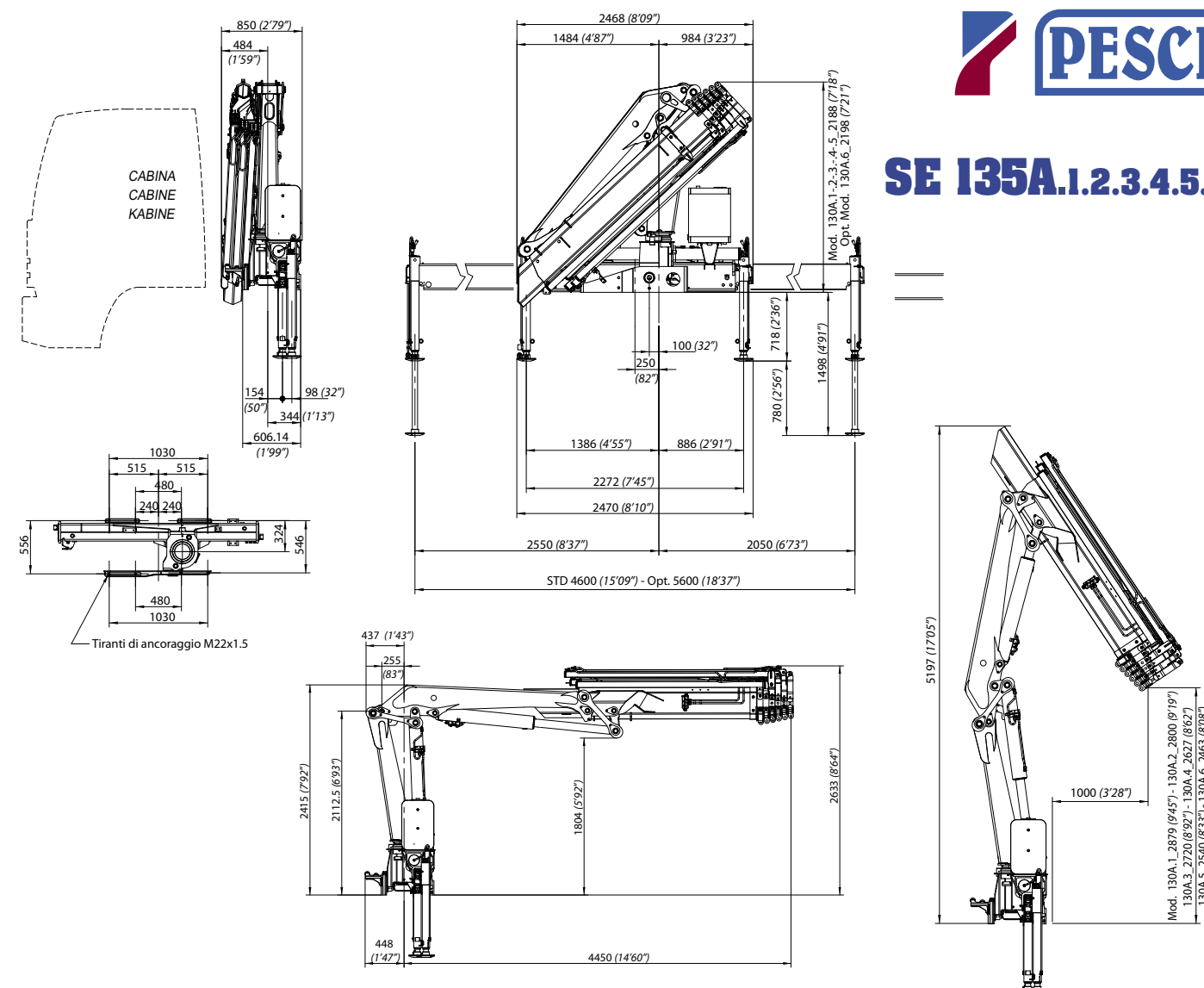
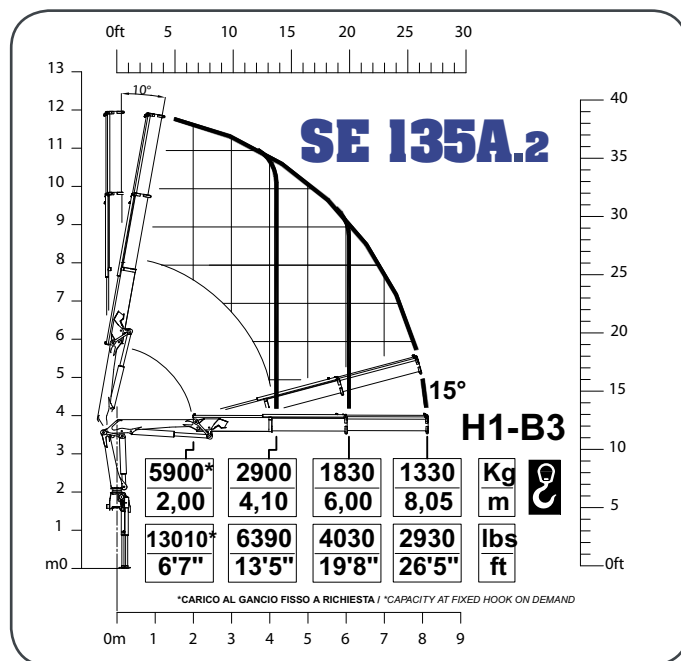
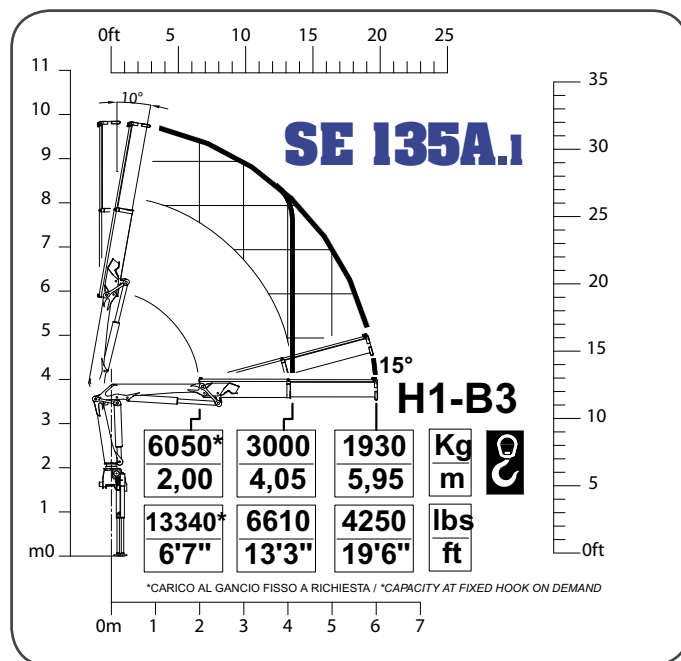


gru_truck cranes



- > Scheda tecnica
- > Fiche technique
- > Technische daten
- > Technical features
- > Ficha tecnica
- > Folha de dados

SE I35A.1.2.3.4.5.6



| CARATTERISTICHE | N° SFILI | | | | | |
|--|------------------------------|------------------------------|---|--|------------------------------|------------------------------|
| | 1 | 2 | 3 | 4 | 5 | 6 |
| Momento max sollevamento/couple de levage/hubmoment/ momento/ max lifting moment | 12,5 (kNm) | 11,8 (kNm) | 11,41 (kNm) | 11,13 (kNm) | 10,71 (kNm) | 10,3 (kNm) |
| Angolo di rotazione/ schwenkbereich/ giro/ rotation/ slewing angle | 400° | 400° | 400° | 400° | 400° | 400° |
| Coppia max rotazione / max schwenkmoment/ couple maxi. De rotation/ potencia máxima de giro/ slewing torque | 16500 (daNm) 119 (lbs.ft) | 16500 (daNm) 119 (lbs.ft) | 16500 (daNm) 119 (lbs.ft) | 16500 (daNm) 119 (lbs.ft) | 16500 (daNm) 119 (lbs.ft) | 16500 (daNm) 119 (lbs.ft) |
| Pressione max lavoro/ druck/ pression/ pression/ max working pressure | 275 bar 3988 (psi) | 275 bar 3988 (psi) | 275 bar 3988 (psi) | 275 bar 3988 (psi) | 275 bar 3988 (psi) | 275 bar 3988 (psi) |
| Portata pompa ottimale/ fördermenge der pumpe/ portée de la pompe/ caudal de la bomba/ recommended pump delivery | 35/45 L | 35/45 L | 35/45 L | 35/45 L | 35/45 L | 35/45 L |
| Capacità serbatoio olio/ fassungsvermögen del ölbehalters/ capacité réservoir huile/ capacitat del deposito de aceite/ oil tank capacity | 75 L | 75 L | 75 L | 75 L | 75 L | 75 L |
| Veicolo min. P.T.T. / Lkw min. G.G.W./ Camion min. P.T.A.C./ Camion peso min. P.T.T. T t t/ p.B. Min camion/ truck min. G.V.W. | 12 T | 12 T | 12 T | 12 T | 12 T | 12 T |
| Peso gru / gewicht/ poids/ peso/ crane weight | 1520 kg 3351 (lbs) | 1630 kg 3594 (lbs) | 1730 kg 3814 (lbs) J1 1950 kg 4299 (lbs) J2 1990 kg 4387 (lbs) | 1830 kg 4034 (lbs) J1 2068 kg 4559 (lbs) 2100 kg 4630 (lbs) | 1920 kg 4233 (lbs) | 2000 kg 4409 (lbs) |