

KOBELCO

SK22 MINI EXCAVATOR

SK22



We Save You Fuel
Achieving a Low-Carbon Society

DO FULL-SIZED JOBS WITH A COMPACT MACHINE



Mini excavators are increasingly popular for work in confined spaces such as residential areas and buildings. But smallness alone doesn't satisfy users who also demand greater stability and first-rate operating performance. The KOBELCO SK22 mini excavator answers these needs with a high-output engine that provides plenty of power for tough, efficient operation. It also delivers excellent stability with superior weight distribution, a well-designed, comfortable cab equipped with an LCD monitor, and easy maintenance. These features make the SK22 mini excavator ideal for those who want powerful, basic functions and durable reliability. When you need to do a full-sized job with a compact machine, the SK22 is your answer.

COMFORT

Pleasant Work Environment

There is plenty of legroom, and the control lever, wrist rests, travel lever and control panel are all ergonomically positioned so that the operator can work for long hours without fatigue.

Comfortable Suspension Seat

The reclining, slide seat can be adjusted to match the operator's size and posture.

Wrist Rest



Wrist rests on the each control lever box ensure fatigue-free operation.

Excellent Air Circulation

The SK22 has a forced-air heater that keeps the cab comfortable conditions.



Travel Pedal

The travel pedal simplifies simultaneous operations while the machine is traveling.



Easy Access to Control Panel and Levers



Control panel



Travel high/low select switch and throttle lever

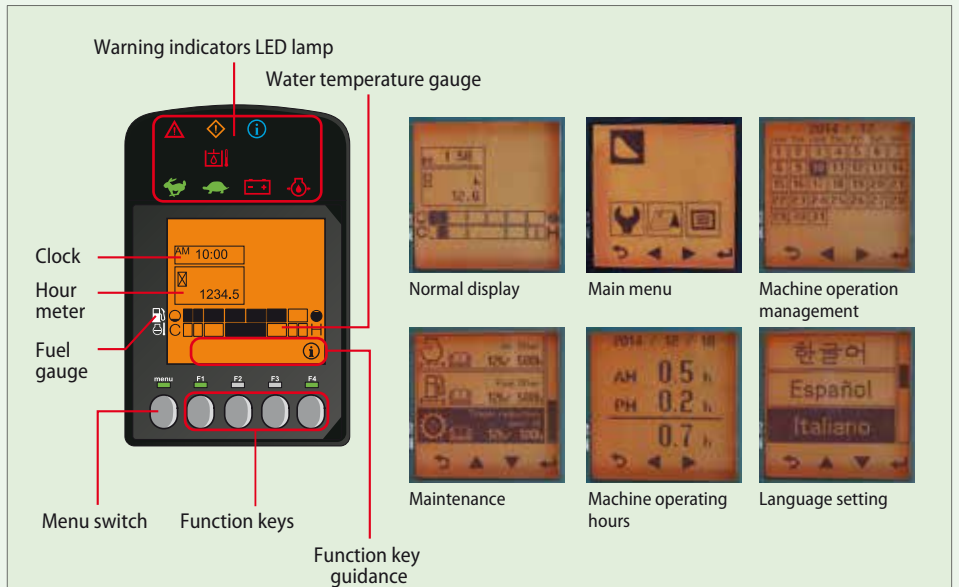
Amenities



- 1 Automatic ceiling light and optional radio with USB port
- 2 Storage compartment for manuals
- 3 Large cup holder

Backlit Liquid Crystal Monitor

The backlit liquid crystal monitor is provided as standard. Perfectly integrated into the right-hand console, the screen provides excellent visibility even in bright sunlight or at night, giving ready access to information concerning operation and machine status.



With its compact design, the SK22 delivers fast work performance even in limited spaces.

Reliable Swing Power, Faster Working Speed

Boosted swing power and a top-class swing speed deliver shorter cycle times.

Swing Speed: **9.5min⁻¹**

Powerful Digging

For more efficient work performance.

Max. Arm Crowding Force: **11.8kN**

Max. Bucket Digging Force: **18.6kN**

Powerful Travel

Travel Speed: **4.1/2.4km/h**

Powerful Engine (ISO 9249)

Power Output: **13.4kW/2,200min⁻¹**

Easy Transportability

Weighing just 2,185 kg, the SK22 is easily transported on a 3.5-ton trailer with plenty of room to spare for the simultaneous transport of a bucket or other attachment.

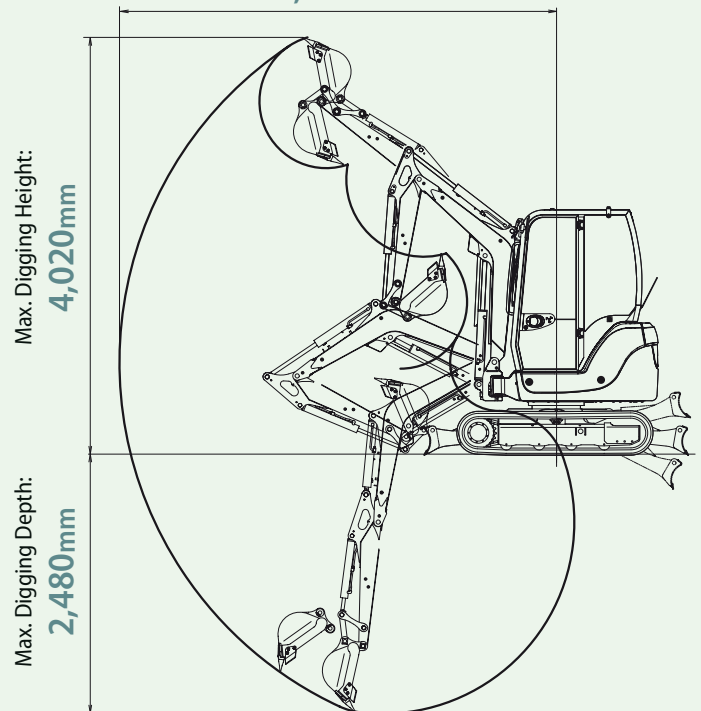
Auxiliary Circuit for Hammer or Auger

A proportional-control auxiliary line accommodates many accessories such as a hammer or auger, with the oil flow rate optimized for each device.

Wide Working Range

The SK22 has plenty of working ranges.

Max. Digging Reach:
4,240mm



Compact Swing Radius

The SK22 has a very small swing radius that ensures easy access and efficient operation on sites where space is limited. The compact design keeps power, productivity and stability that allow you to work with confidence.



Exceptional Stability and Lifting Strength

A wide counterweight and excellent weight distribution provide the SK22 with impressive stability and exceptional lifting capacities.

Lifting Capacity: **550kg** at **2.5m**

(ground level)



RELIABILITY

Reliable Construction

The SK22's tough durability makes it ideal for working in tight spaces and keeps repair costs down.

Cylinder Rod Guard

The cylinder rod guard is fitted as standard for boom cylinder.



LED Work Light

The LED work light is mounted under the boom to protect it from damage.



Dozer

Dozer cylinder rod guard protects dozer cylinder from damage.



SAFETY

Operator Safety

The SK22 has a full range of safety features that help prevent or reduce the severity of onsite accidents.

Reliable Cab/Canopy Structure

The high-strength cab/canopy meets FOPS 1 and TOPS standards for greater operator safety.



Optimum Visibility

The SK22 is equipped with 3 rear and side view mirrors. The operator can control the work area as well as the area around machine.



Safety Lever Lock

The safety lever lock permits entry and exit only when the levers are disengaged to prevent accidental operation.



Three LED Cab Lights (Optional)

Three LED cab lights can be fitted as option to provide a clear view during nighttime operations. The LED provides a powerful light while reducing energy consumption.



Hammer for emergency exit



MAINTENANCE

Easy Maintenance

The engine hood opens fully and components that require the most frequent checks are positioned for easy access, thereby reducing maintenance time.

Easy Access to Engine Compartment



Right Side



Fuel tank

Under the Operator's Seat

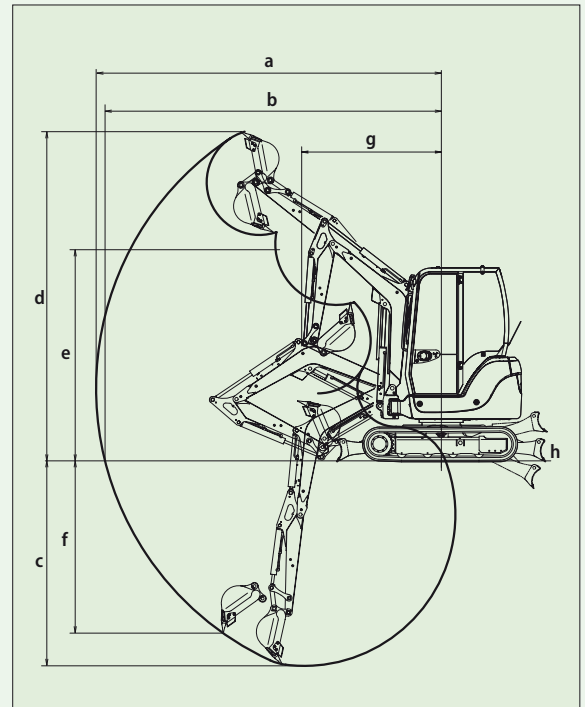


•Generator •Starter motor

Specifications

GENERAL			
MODEL		SK22	
Type		SK22	
PERFORMANCE			
Shoe Type		Rubber	
Bucket Capacity		m ³ 0.04	
Travel Speed (high/low)		km/h 4.1/2.4	
Swing Speed		min ⁻¹ {rpm} 9.5	
Gradeability		% (degree) 47 (30)	
Traction Force		kN 20.4	
Bucket Digging Force		kN 18.6	
Arm Crowding Force		kN 11.8	
WEIGHT			
Machine Mass	Cab	kg	2,185
	Canopy	kg	2,045
Ground Pressure	Cab	kPa	26.5
	Canopy	kPa	24.5
ENGINE			
Model		YANMAR 3TNV76-SBVA2	
Type		Water cooled	
Power Output NET	(ISO9249)	kW/min ⁻¹ {rpm}	13.4/2,200
	(ISO14396)	kW/min ⁻¹ {rpm}	13.8/2,200
Max. Torque NET	(ISO9249)	N-m/min ⁻¹ {rpm}	67.7/1,600
Displacement		L 1.115	
Fuel Tank		L 29	
HYDRAULIC SYSTEM			
Pump		Variable pump	
Max. Discharge Flow		L/min	50
Relief Valve Setting		MPa	20.6
Hydraulic Oil Tank (system)		L	20 (32)
DOZER BLADE			
Width x Height		mm	1,380 x 300
Working Ranges (height/depth)		mm	370/340
SIDE DIGGING MECHANISM			
Type		Boom swing	
Offset Angle	To the left	degree	40
	To the right	degree	80

Working Ranges



Unit: mm

MODEL	SK22
a- Max. digging reach	4,240
b- Max. digging reach at ground level	4,130
c- Max. digging depth	2,480
d- Max. digging height	4,020
e- Max. dumping clearance	2,760
f- Max. vertical wall digging depth	2,085
g- Min. swing radius	1,700
g- Min. swing radius at boom swing	1,460
h- Dozer blade (height/depth)	370/340

General Dimensions

Unit: mm

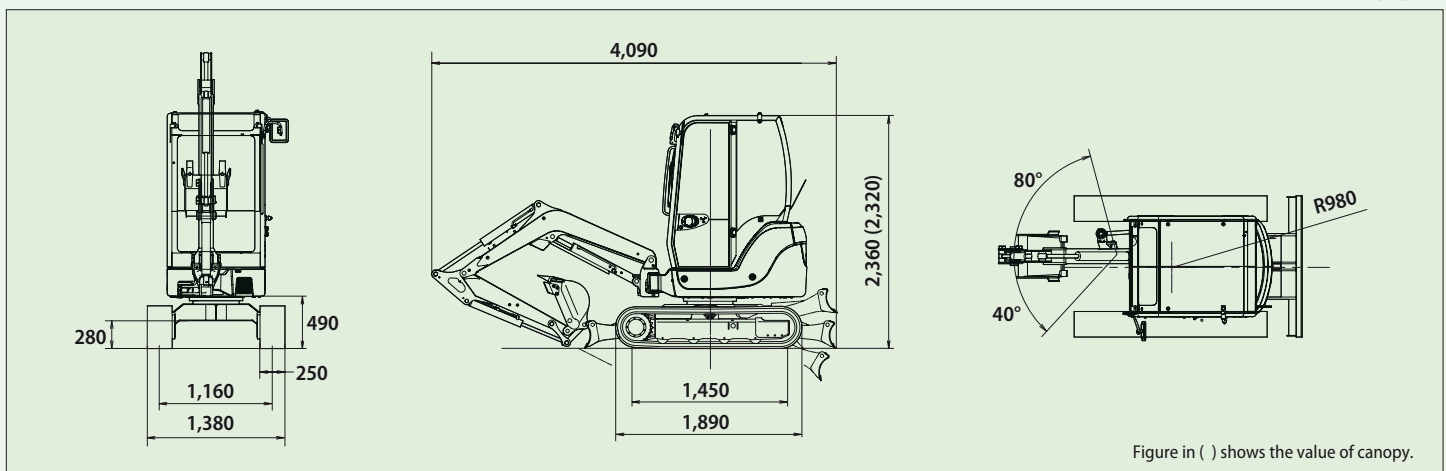
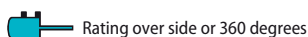
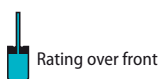
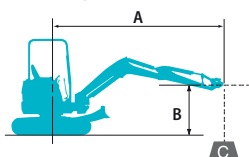


Figure in () shows the value of canopy.

Lifting Capacities



A: Reach from swing centerline to arm top
 B: Arm top height above/below ground
 C: Lifting capacities in kilograms
 Shoe: Rubber shoe Dozer blade: Up
 Relief valve setting: 20.6 MPa

CAB

SK22		Arm: Standard		Bucket: Without		Shoe: 250 mm								
B	A	1.5 m		2.0 m		2.5 m		3.0 m		3.5 m		At Max. Reach		Radius
2.5 m	kg							*470	*470			*505	345	3.2 m
2.0 m	kg					*505	*505	*480	*480			390	340	3.4 m
1.5 m	kg			*700	*720	*595	*595	460	420	345	320	345	320	3.5 m
1.0 m	kg			*965	720	590	520	450	400	355	320	345	300	3.6 m
0.5 m	kg	1,110	965	840	660	590	495	445	395	350	310	340	300	3.6 m
G. L.	kg	1,190	1,025	820	670	550	495	430	375	355	315	355	315	3.5 m
0.5 m	kg	1,065	1,060	650	660	490	505	385	355			360	330	3.2 m
-1.0 m	kg	*1,235	1,000	680	700	505	465					445	390	2.9 m
-1.5 m	kg	*830	*830	*550	*550							*560	*560	2.5 m

CANOPY

SK22		Arm: Standard		Bucket: Without		Shoe: 250 mm								
B	A	1.5 m		2.0 m		2.5 m		3.0 m		3.5 m		At Max. Reach		Radius
2.5 m	kg							*470	375			385	325	3.2 m
2.0 m	kg					*505	*505	*480	370			335	295	3.4 m
1.5 m	kg			*700	*720	505	470	400	365	295	275	295	275	3.5 m
1.0 m	kg			745	615	505	450	390	345	305	275	295	255	3.6 m
0.5 m	kg	855	780	715	555	505	430	380	340	300	265	295	260	3.6 m
G. L.	kg	940	840	690	565	470	425	370	325	305	270	305	270	3.5 m
0.5 m	kg	810	880	525	560	405	435	320	300			300	280	3.2 m
-1.0 m	kg	865	815	555	600	420	395					380	330	2.9 m
-1.5 m	kg	*830	*1,005	490	600							445	440	2.5 m

Notes:

- Do not attempt to lift or hold any load that is greater than these lift capacities at their specified lift point radius and heights. Weight of all accessories must be deducted from the above lift capacities.
- Lift capacities are based on machine standing on level, firm, and uniform ground. User must make allowance for job conditions such as soft or uneven ground, out of level conditions, side loads, sudden stopping of loads, hazardous conditions, experience of personnel, etc.
- Arm top defined as lift point.

- The above lifting capacities are in compliance with ISO 10567. They do not exceed 87% of hydraulic lifting capacity or 75% of tipping load. Lifting capacities marked with an asterisk (*) are limited by hydraulic capacity rather than tipping load.
- Operator should be fully acquainted with the Operator's and Maintenance Instructions before operating this machine. Rules for safe operation of equipment should be adhered to at all times.
- Lift capacities apply to only machine as originally manufactured and normally equipped by KOBELCO CONSTRUCTION MACHINERY CO., LTD.

Note: This catalog may contain attachments and optional equipment that are not available in your area. And it may contain photographs of machines with specifications that differ from those of machines sold in your areas. Please consult your nearest KOBELCO distributor for those items you require. Specialist equipment is needed to use this machine in demolition work. Before using it please contact your KOBELCO dealer.

Due to our policy of continuous product improvements all designs and specifications are subject to change without advance notice.

Copyright by **KOBELCO CONSTRUCTION MACHINERY CO., LTD.** No part of this catalog may be reproduced in any manner without notice.

Kobelco Construction Machinery Europe B.V.

Veluwezoom 15
 1327 AE Almere
 The Netherlands
www.kobelco-europe.com

Inquiries To: