

Rider seated stacker truck 1.35 - 1.6 ton

BT staxio

R-series

SRE135/L

SRE160/L



Stacker truck

Specification for stacker trucks					SRE135	SRE135L	SRE160	SRE160L
Identification	1.1	Manufacturer			BT	BT	BT	BT
	1.2	Model			SRE135	SRE135L	SRE160	SRE160L
	1.3	Drive			Electric	Electric	Electric	Electric
	1.4	Operator type			Seated	Seated	Seated	Seated
	1.5	Load capacity/rated load	Q	kg	1350	1350	1600	1600
	1.6	Load centre	c	mm	600	600	600	600
	1.8	Load distance, front axle to fork face Duplex	x	mm	809	812	782	785
Weight	2.1	Service weight with battery		kg	1175-1240	1175-1240	1295-1585	1295-1585
	2.2	Axle load, with load, drive/castor/support arm wheel		kg	1535/1490/1790	1535/1490/1790	1655/1610/2150	1655/1610/2150
	2.3	Axle load, without load, drive/castor/support arm wheel		kg	1405/1360/570	1405/1360/570	1530/1480/680	1530/1480/680
Wheels	3.1	Drive/castor/fork wheel			Polyurethane	Polyurethane	Polyurethane	Polyurethane
	3.2	Wheel size, front		mm	Ø85	Ø85	Ø85	Ø85
	3.3	Wheel size, rear		mm	Ø250	Ø250	Ø250	Ø250
Dimensions	4.2	Height, mast lowered	h_1	mm	2212	2212	2438	2438
	4.3	Free lift	h_2	mm	1743	1743	1943	1943
	4.4	Lift	h_3	mm	3260	3260	3660	3660
	4.5	Height, mast extended	h_4	mm	3867	3867	4293	4293
	4.7	Height of overhead guard	h_6	mm	1980	1980	1980	1980
	4.8	Seat height	h_7	mm	900-980	900-980	900-980	900-980
	4.15	Height, fork lowered	h_{13}	mm	90	90	90	90
	4.19	Overall length	l_1	mm	2194	2235	2240	2281
	4.20	Length to face of forks	l_2	mm	1044	1085	1090	1131
	4.21	Overall width	b_1	mm	1020	1020	1020	1020
	4.22	Fork dimensions	e/l	mm	180/1150	180/1150	180/1150	180/1150
	4.25	Width over forks	b_5	mm	570	570	570	570
	4.31	Ground clearance, with load, below mast	m_1	mm	25	25	25	25
4.33	Aisle width for pallets 1000x1200 crossways	A_{st}	mm	2659	2699	2691	2731	
4.35	Turning radius	W_a	mm	1912	1912	1912	1912	
Performance data	5.1	Travel speed, with/without load		km/h	8,6/9,4	8,6/9,4	8,6/9,4	8,6/9,4
	5.2	Lift speed, with/without load		m/s	-/0,36 ²⁾	-/0,36 ²⁾	0,15/0,25	0,15/0,25
	5.3	Lowering speed, with/without load		m/s	0,46 ^{2)/} 0,35	0,46 ^{2)/} 0,35	0,46/0,40	0,46/0,40
	5.8	Max. gradeability, with/without load ¹⁾		%	8/15	8/15	8/15	8/15
	5.10	Service brake			Hydraulic	Hydraulic	Hydraulic	Hydraulic
	5.11	Parking brake			Mechanical	Mechanical	Mechanical	Mechanical
Electric motor	6.1	Drive motor rating S2 60 min		kW	2,6	2,6	2,6	2,6
	6.2	Lift motor rating at S3 20%		kW	5,0	5,0	5,0	5,0
	6.4	Battery voltage/nominal capacity K_s		V/Ah	24/360-450	24/360-450	24/480-600	24/480-600
	6.5	Battery weight min./max.		kg	370-449	370-449	450-530	450-530
Others	8.1	Type of drive control			Stepless	Stepless	Stepless	Stepless

1) Measured according to company standard

2) Valid for trucks with Triplex Hi-Lo mast

All data are based on table configuration. Other configurations may give other values.

Truck performance and dimensions are nominal and subject to tolerances.

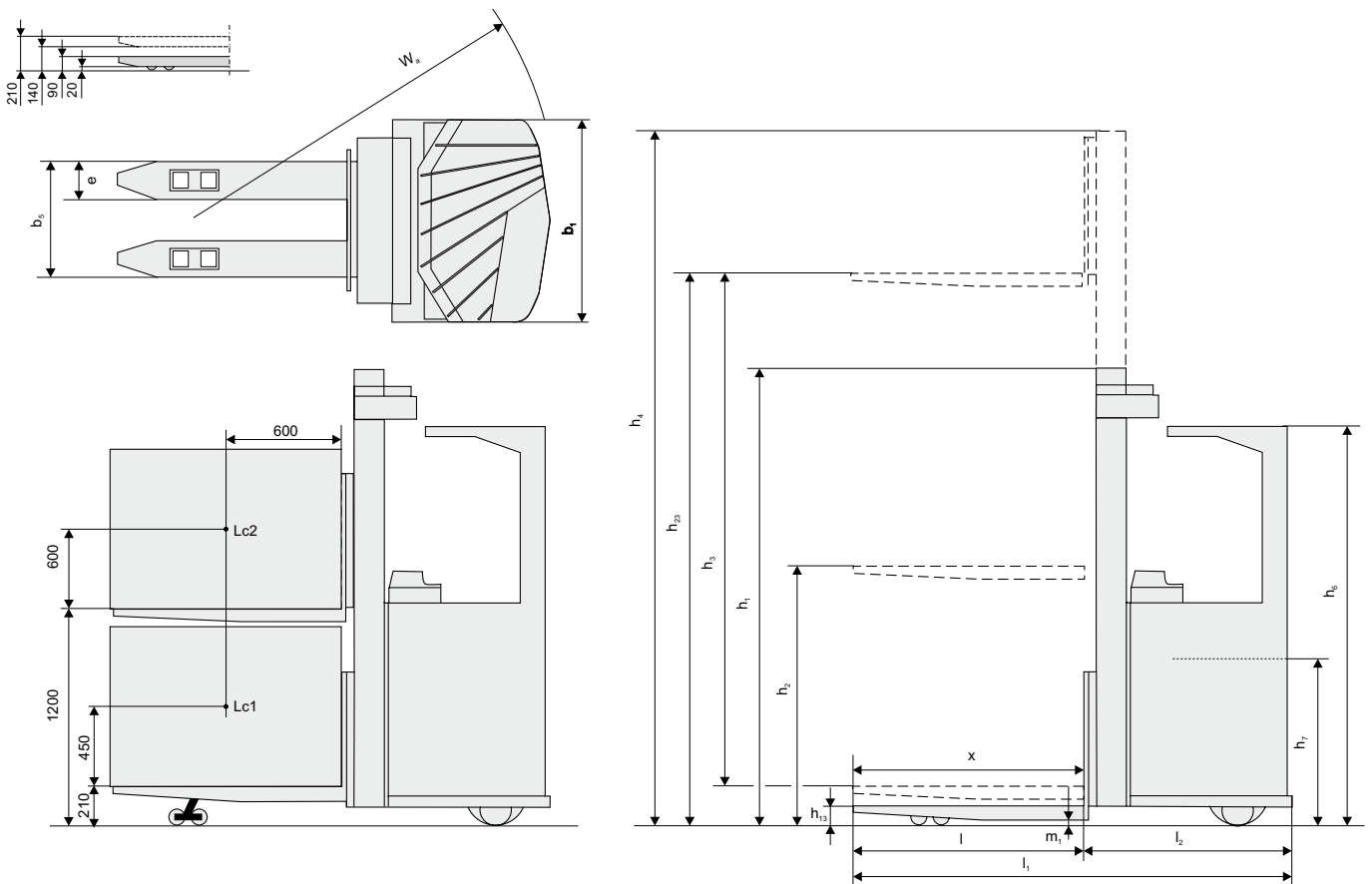
BT products and specifications are subject to change without notice.

Mast dimensions

BT staxio

SRE135/SRE135L			Duplex Tele				Duplex HiLo			Triplex HiLo			
h_{23}	Lift height ($h_{13}+h_3$)	mm	2800	3350	3750	4150	2900	3350	3750	4150	4500	4800	5400
h_1	Height, mast lowered	mm	1937	2212	2422	2622	1987	2212	2422	1948	2065	2165	2365
h_2	Free lift	mm	—	—	—	—	1518	1743	1943	1476	1592	1692	1892
h_4	Height, mast extended	mm	3317	3867	4277	4677	3417	3867	4277	4670	5021	5321	5921

SRE160/SRE160L			Duplex Tele				Duplex HiLo			Triplex HiLo				
h_{23}	Lift height ($h_{13}+h_3$)	mm	2900	3350	3750	4150	2900	3350	3750	4400	4800	5400	5700	6300
h_1	Height, mast lowered	mm	2013	2238	2438	2638	2013	2238	2438	2075	2208	2408	2508	2708
h_2	Free lift	mm	—	—	—	—	1518	1743	1943	1465	1598	1798	1898	2098
h_4	Height, mast extended	mm	3443	3893	4293	4693	3443	3893	4293	5058	5458	6058	6358	6958



Truck features:

- Elevating support arms
- Electronic steering
- Electronic speed control
- Clear-view mast
- Driver detection system
- Adjustable seat
- Adjustable steering wheel
- On-board data terminal mount (E-bar)
- Easy access for maintenance
- Sideways battery change

