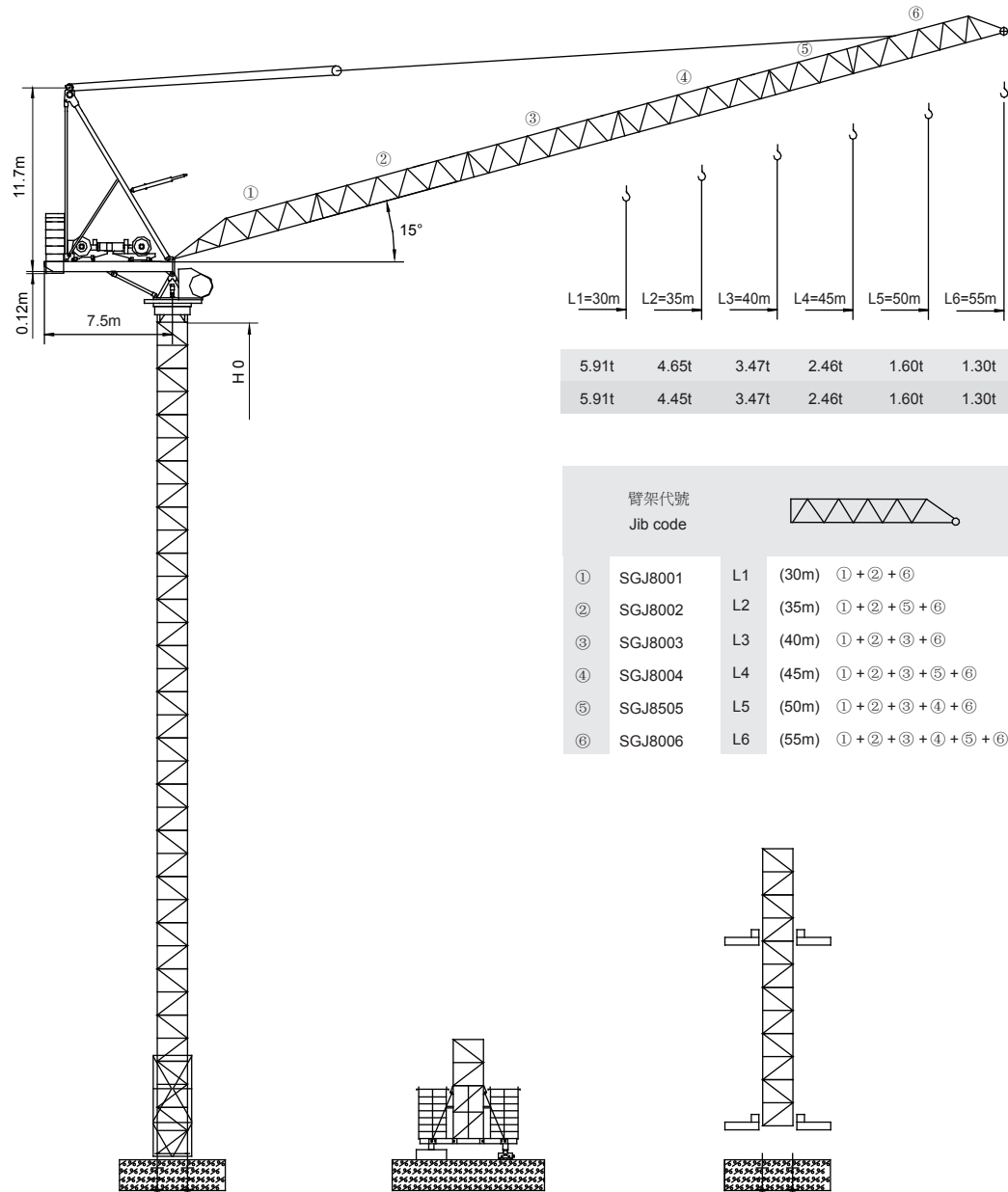


永茂建机 YONGMAO

STL180 10/8t



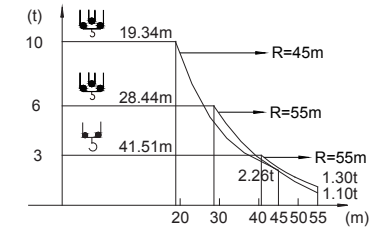
臂架代號 Jib code		Luffing	
①	SGJ8001	L1 (30m)	① + ② + ⑥
②	SGJ8002	L2 (35m)	① + ② + ⑤ + ⑥
③	SGJ8003	L3 (40m)	① + ② + ③ + ⑥
④	SGJ8004	L4 (45m)	① + ② + ③ + ⑤ + ⑥
⑤	SGJ8505	L5 (50m)	① + ② + ③ + ④ + ⑥
⑥	SGJ8006	L6 (55m)	① + ② + ③ + ④ + ⑤ + ⑥

動臂系列

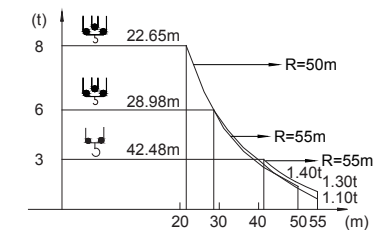
STL180 10/8t

載荷表 Load Chart

10t		STG-10-A(B)-1-V1.0									
R	倍率 Fall	R(C _{max}) (m)	C _{max} (t)	20	25	30	35	40	45	50	55
55	☞	5.10~28.44	6.00	6.00	6.00	5.47	4.06	3.02	2.21	1.57	1.10
	☜	5.10~41.51	3.00	3.00	3.00	3.00	3.00	3.00	2.44	1.79	1.30
50	☞	4.70~22.18	8.00	8.00	6.64	4.86	3.59	2.64	1.92	1.40	
	☜	4.70~32.96	4.00	4.00	4.00	4.00	3.82	2.87	2.13	1.60	
45	☞	4.30~19.34	10.00	9.55	6.88	5.11	3.85	2.92	2.26		
	☜	4.30~31.17	5.00	5.00	5.00	5.00	4.07	3.14	2.46		
40	☞	3.80~19.61	10.00	9.75	7.10	5.35	4.11	3.27			
	☜	3.80~32.07	5.00	5.00	5.00	5.00	4.31	3.47			
35	☞	3.40~19.90	10.00	9.94	7.32	5.60	4.45				
	☜	3.40~33.19	5.00	5.00	5.00	5.00	4.65				
30	☞	2.90~19.96	10.00	9.97	7.44	5.91					
	☜	2.90~30.00	5.00	5.00	5.00	5.00					



8t		STG-8-A(B)-1-V1.0									
R	倍率 Fall	R(C _{max}) (m)	C _{max} (t)	20	25	30	35	40	45	50	55
55	☞	5.10~28.98	6.00	6.00	6.00	5.47	4.06	3.02	2.21	1.57	1.10
	☜	5.10~42.48	3.00	3.00	3.00	3.00	3.00	3.00	2.44	1.79	1.30
50	☞	4.70~22.65	8.00	8.00	6.64	4.86	3.59	2.64	1.92	1.40	
	☜	4.70~34.58	4.00	4.00	4.00	4.00	3.82	2.87	2.13	1.60	
45	☞	4.30~22.62	8.00	8.00	6.88	5.11	3.85	2.92	2.26		
	☜	4.30~35.35	4.00	4.00	4.00	4.00	4.00	3.14	2.46		
40	☞	3.80~23.03	8.00	8.00	7.10	5.35	4.11	3.27			
	☜	3.80~36.62	4.00	4.00	4.00	4.00	4.00	3.47			
35	☞	3.40~23.48	8.00	8.00	7.32	5.60	4.45				
	☜	3.40~35.00	4.00	4.00	4.00	4.00	4.00				
30	☞	2.90~23.71	8.00	8.00	7.44	5.91					
	☜	2.90~30.00	4.00	4.00	4.00	4.00					



* 20m與25m臂長組合需特配，請與製造商聯繫。
Special configuration is needed with 20m and 25m jib combination. Please contact Yongmao for details.

Luffing STL180

1 1
9 9
3 4

Luffing STL180
Luffing STL180



Luffing

V5.0-09112014

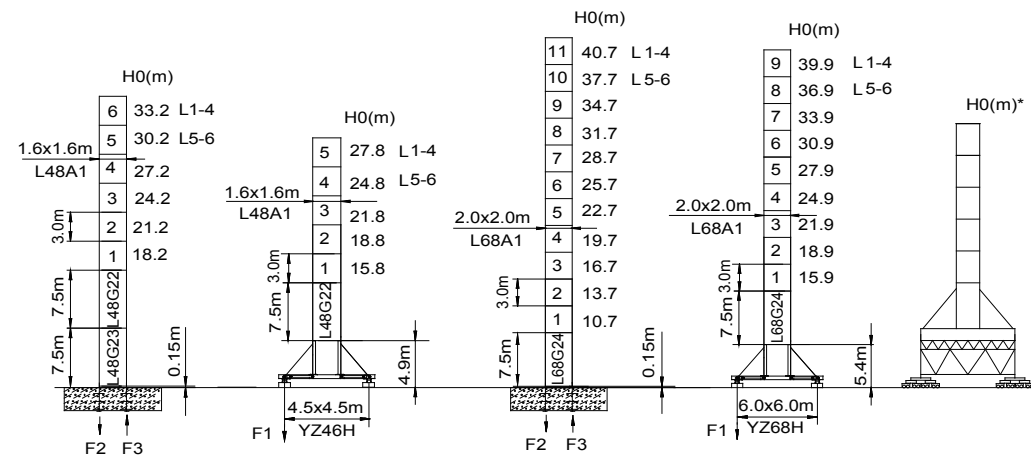


YONGMAO HOLDINGS LIMITED



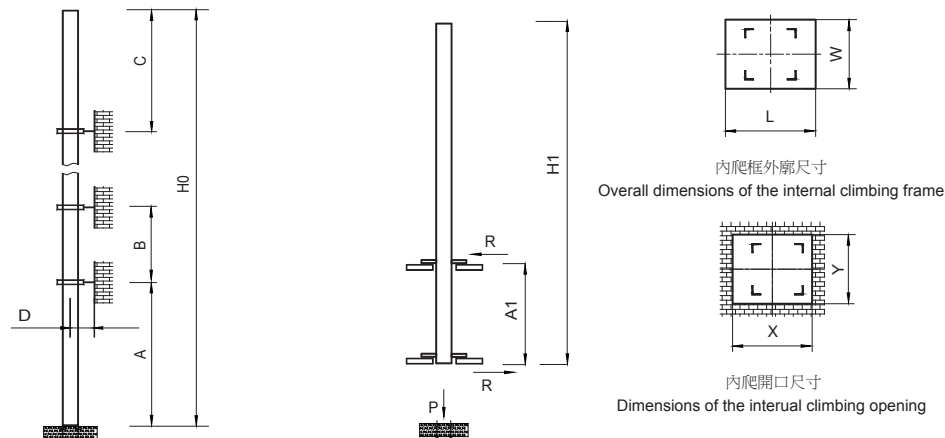
YONGMAO HOLDINGS LIMITED

STL180 10/8t



	●	■		●	■		●	■		●	■		
F2	124t	200t		F1	*	*	F2	110t	193t		F1	*	*
F3	89t	166t					F3	72t	156t				
	55t				*			62t				*	

● 工作狀態支反力 In service reaction ■ 非工作狀態支反力 Out of service reaction
 ⊗ 整機自由高度重量 (不含平衡重及壓重重量) Total weight of free standing crane (excludes counter weight & ballast.)



塔身節 Mast	臂長 Jib length	A (m)	B (m)	C (m)	D (m)	H0 (m)
L48A1	L1-4	25.7	15	19.5	>3.4	200 >200*
	L5-6	25.7	15	19.5		
L68A1	L1-4	27.2	15	19.5	>3.6	300 >300*
	L5-6	27.2	15	19.5		

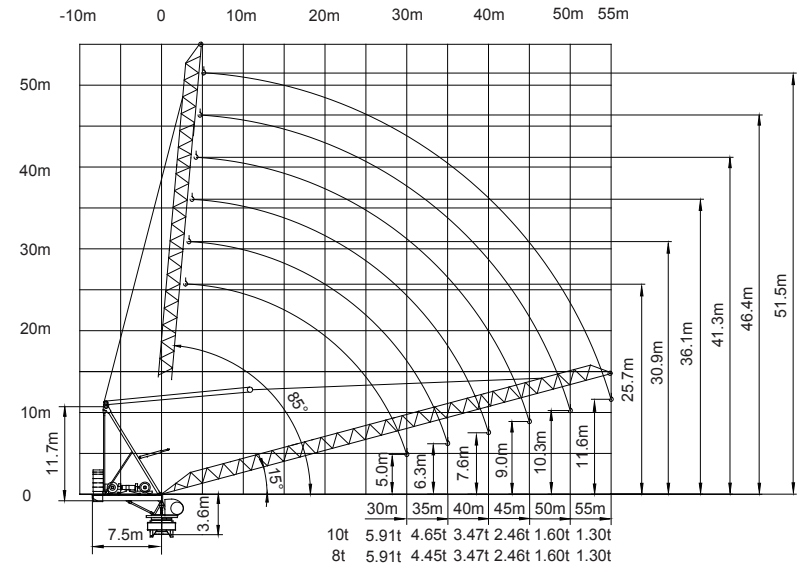
附著道數 Number of tie collars=(H0-A-C)/B+1

超過100m高度，需降低載荷，請與公司聯繫。

Load should be reduced when the height exceeds 100m. Please contact Yongmao for details.

塔身節 Mast	臂長 Jib length	H1 (m)	A1 (m)	P (t)	R (t)
L48A1	L1-4	27	9-13	70	34
	L5-6	27	11-13	70	35
L68A1	臂長 Jib length	X (m)	Y (m)	L (m)	W (m)
	L1-4	2.31	1.77	2.83	2.38
L5-6					

STL180 10/8t



主要性能參數 Specifications

機構 Mechanism		10t		8t		電動機 Motor kW	
		m/min	t	m/min	t		
10t	37SWR25 ☆	0-40	5.0	0-20	10.0	500m	37
	45LFV25	0-40	5.0	0-20	10.0	500m	45
		0-48	3.5	0-24	7.0		
		0-80	1.5	0-40	3.0		
	55LFV25	0-45	5.0	0-22.5	10.0	1090m >1090m*	55
		0-54	3.5	0-27	7.0		
0-90		1.5	0-45	3.0			
8t	30SWR20 ☆	0-40	4.0	0-20	8.0	360m	30
	30LFV20	0-40	4.0	0-20	8.0	500m >500m*	30
		0-48	2.0	0-24	4.0		
		0-80	0.75	0-40	1.5		
45DFV40BI ☆			15°-85°	2.0 min			45
	30LYWZ40		15°-85°		3.0min		
RTC240			0-0.7	rpm			2x120 N·m
RT			12.5-25	m/min			2x2.6/5.2

供電容量 Power supply	kVA	
380V (±10%) 50 Hz	37SWR25, 45LFV25 : 90	55LFV25 : 105
	30SWR20, 30LFV20 : 90	

* 與製造商聯繫 Contact us, please.
 ☆ 标准配置 Standard configuration.

本技術參數不受法律約束，技術資訊請詳見相應說明書。
 These specifications and data are not legally binding. For any technical information, please refer to corresponding instructions.

1 1
9 9
5 6

Luffing STL180
Luffing STL180



YONGMAO HOLDINGS LIMITED



YONGMAO HOLDINGS LIMITED