



**STRONG PARTNERS.
TOUGH TRUCKS.™**

TA120UT

SEATED ELECTRIC TOW TRACTOR

WWW.HYSTER.COM



> TA120UT OVERVIEW

The Hyster® seated electric tow tractor TA120UT combines ergonomic features and reliable performance with energy efficient technology. Low maintenance delivers increased productivity and reduced operational costs.

Productivity

- High-power drive motor
- Impressive pulling performance
- Seamless travel and maneuverability
- 3 operation modes available
- Ergonomic design
- Adjustable seat and steering column
- Rear multi-position tow coupling
- Maintenance free AC motor
- Multi-function LCD dash display
- Audible reverse alarm

Serviceability

- Easy access for fast and efficient servicing
- Simple, readily available components
- CANbus technology reduces wiring complexity
- Built-in diagnostics, accessible via the dash display
- Computer-based diagnostics not required

Safety & Structural Design

- Operator Presence System (OPS)
- Non-slip, uncluttered floor plate
- Drive axle design and low center of gravity helps to increase stability
- Emergency stop button
- Low noise level
- High quality, robust components

Optional Features

- Power steering
- Automatic electromagnetic parking brake
- Seatbelt reminder system
- Semi-closed cabin
- Non-marking tires
- Blue light and strobe light
- Keyless key switch (password)

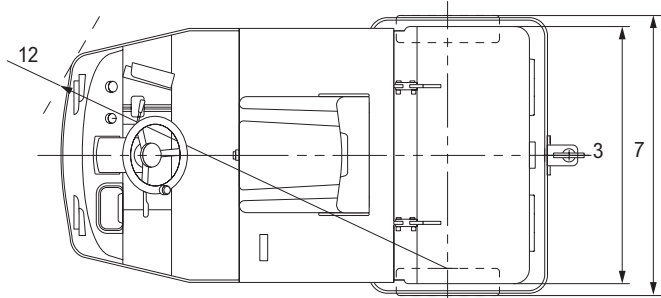
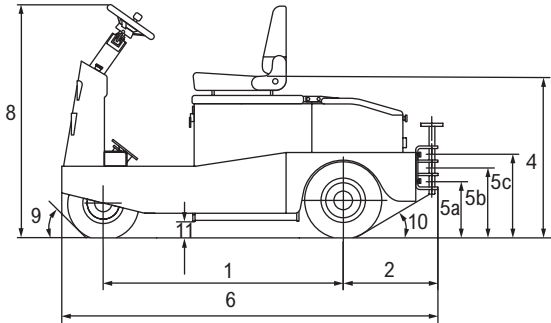


Ergonomic operator compartment



Easy service access via back cover

SPECIFICATIONS AND DIMENSIONS




MODEL		TA120UT
Power type		48-volt
Operator type		Seated
Rated capacity	lb (kg)	13,227 (6,000)
Drawbar pull, 60 min rating	lbf (N)	337.2 (1,500)
Max drawbar pull, 5 min rating	lbf (N)	1,348.85 (6,000)
Wheelbase	[1] in (mm)	50.39 (1,280)
Rear load distance	[2] in (mm)	19.68 (500)
Service weight	lb (kg)	2,998.2 (1360)
Axle loading, unladen front / rear	lb (kg)	992 (450) / 2,006.2 (910)
Front, tire size / type (no. of wheels)		15 x 4.5 - Solid (1)
Rear, tire size / type (no. of wheels)		4.00 - 8 Solid (2)
Wheel tread, front	in (mm)	n/a
Wheel tread, rear	[3] in (mm)	37.24 (946)
Seat height / STD	[4] in (mm)	35.83 (910)
Coupling height	[5a/5b/5c] in (mm)	11.61 (295) / 14.56 (370) / 17.32 (440)
Overall length	[6] in (mm)	78.54 (1,995)
Overall width	[7] in (mm)	43.3 (1,100)
Overall height (excluding cab)	[8] in (mm)	50.39 (1,280)
Approach angle	[9] degrees	≥45
Departure angle	[10] degrees	≥40
Min ground clearance	[11] in (mm)	3.54 (90)
Turning radius	[12] in (mm)	64.96 (1,650)
Travel speed, unladen	mph (km/h)	9 (14.5)
Travel speed, laden	mph (km/h)	4.97 (8)
Gradeability, laden / unladen	%	7 / 15
Service brake / parking brake		Hydraulic / manual
Drive control		AC
Drive motor rating *S2 60 min	hp (kW)	7.5 (5.6)
Steering motor rating *S2 5 min (option)	hp (kW)	0.8 (0.6)
Battery ampere hours	Ah	400
Battery weight	lb (kg)	1,499 (680)
Sound level at the drivers ear according to EN / DIN 12053	dB (A)	<68



Hyster Company
 P.O. Box 7006
 Greenville, North Carolina
 27835-7006
 Part No. TA120UT-BTG
 5/2021 Litho in U.S.A.

Visit us online at www.hyster.com or call us at **1-800-HYSTER-1**.

Hyster,  and STRONG PARTNERS, TOUGH TRUCKS, are registered trademarks in the United States and certain other jurisdictions. Hyster products are subject to change without notice.

Trucks may be shown with optional equipment. © 2021 Hyster Company. All rights reserved.

