



Technical specification

Cold milling machine W 50

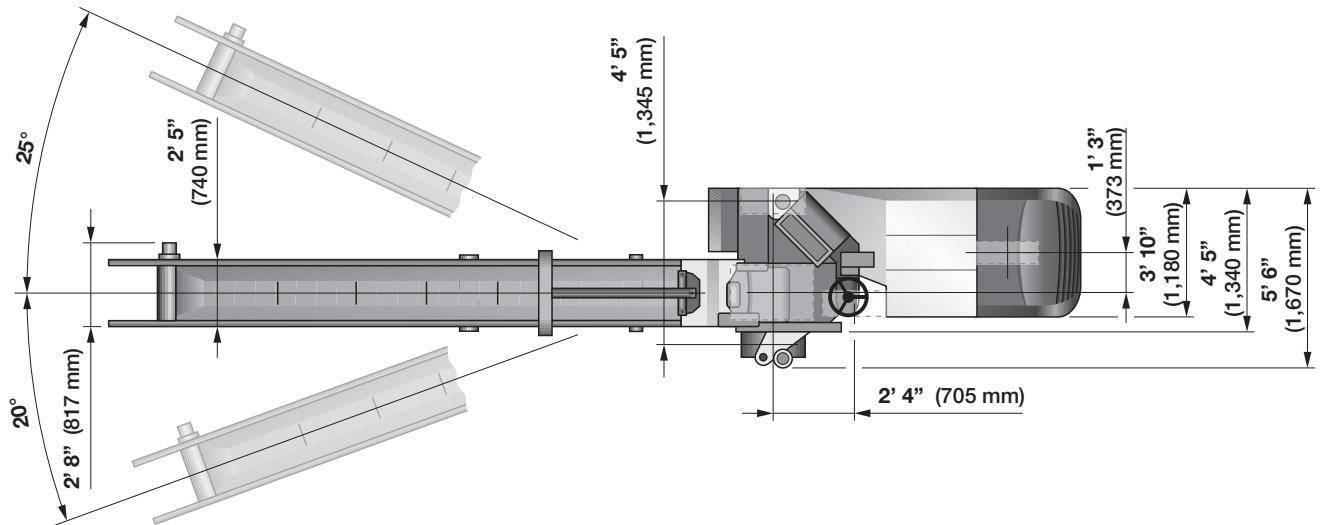
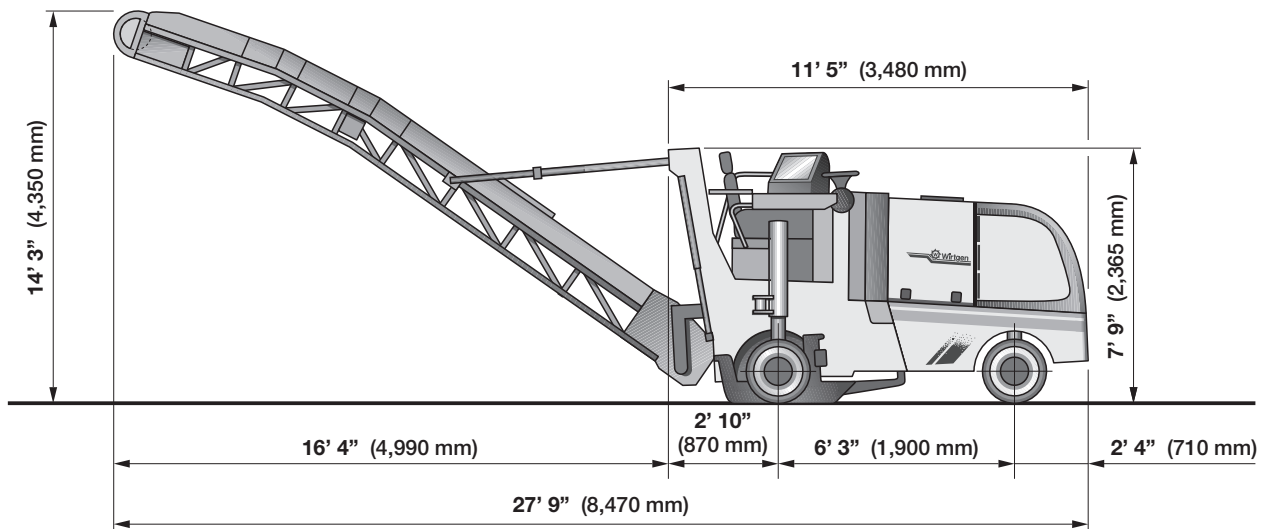


Technical specification

		Cold milling machine W 50
Milling width max.		20" (500 mm)
Milling depth *1		0–6" (0–160 mm)
Milling drum		
Tool spacing		15 mm
Number of tools		50
Drum diameter with tools		23" (590 mm)
Engine		
Manufacturer		Deutz AG
Type		BF 4 M 2011
Cooling		Oil / Air
Number of cylinders		4
Output		60 kW / 80 HP / 82 PS
Engine speed		2,500 min ⁻¹
Displacement		190 in ³ (3,110 cm ³)
Fuel consumption, 1/1 load		4.3 gal/h (16.4 l/h)
Fuel consumption, 2/3 load		2.9 gal/h (11.0 l/h)
Emission standards		COM II, EPA II
Electrical system		24 V
Tank capacities		
Fuel tank		43.6 gal (165 l)
Hydraulic fluid tank		21.1 gal (80 l)
Water tank		132.1 gal (500 l)
Speed / gradeability		
Travel speed in 1 st milling gear		0–62 ft/min (0–19 m/min)
Travel speed in 2 nd milling gear		0–125 ft/min (0–38 m/min)
Travel speed in travel gear, max.		0–3.7 MPH (0–6 km/h)
Tires		
Type		Solid rubber
Tire size front and rear, 3-wheeled model	(dia. x W)	22" x 10" (559 x 254 mm)
Tire size front, 4-wheeled model	(dia. x W)	22" x 8" (559 x 203 mm)
Tire size rear, 4-wheeled model	(dia. x W)	22" x 10" (559 x 254 mm)
Conveyor system		
Belt width		16" (400 mm)
Theoretical conveyor capacity		107 yd ³ /h (82 m ³ /h)
Shipping dimensions		
Machine dimensions (L x W x H)		11' 5" x 5' 6" x 7' 9" (3,480 x 1,670 x 2,365 mm)
Conveyor dimensions (L x W x H)		20' x 2' 8" x 3' 11" (6,100 x 817 x 1,200 mm)

*1 = The maximum milling depth may deviate from the value indicated, due to tolerances and wear.

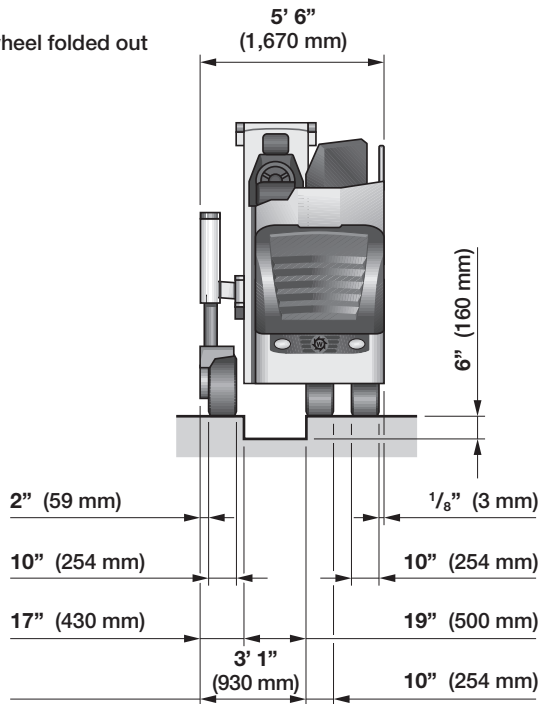
Dimensions



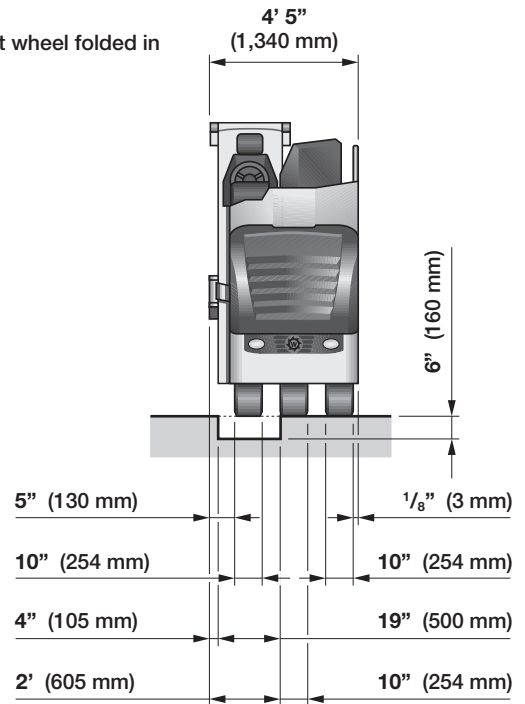
Front view of W 50, 3-wheeled model

Dimensions

with support wheel folded out



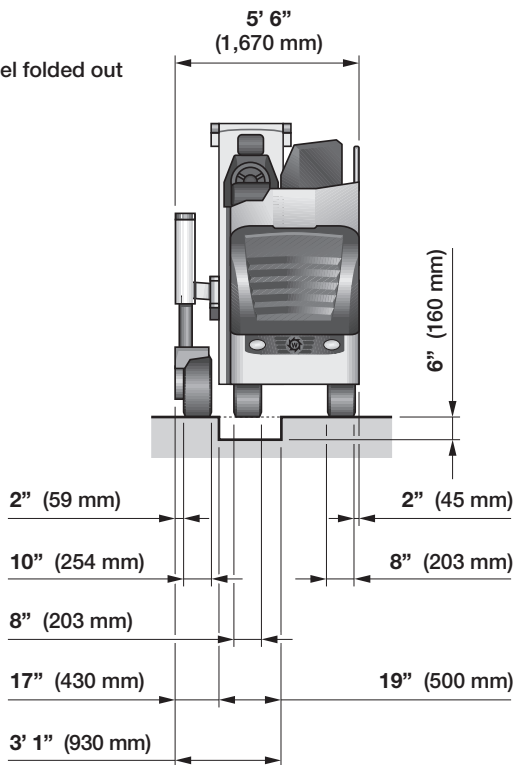
with support wheel folded in



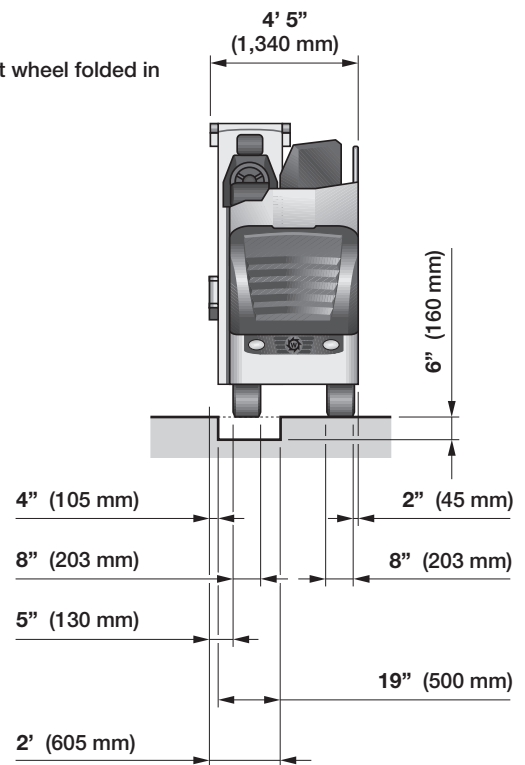
Front view of W 50, 4-wheeled model

Dimensions

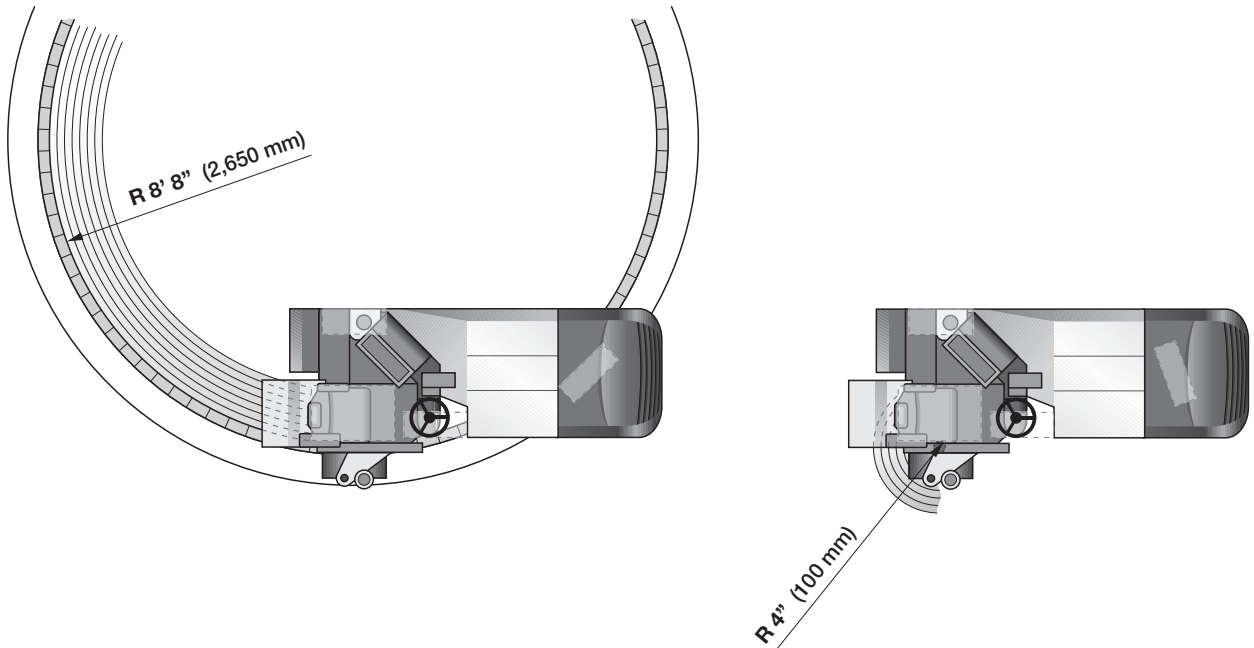
with support wheel folded out



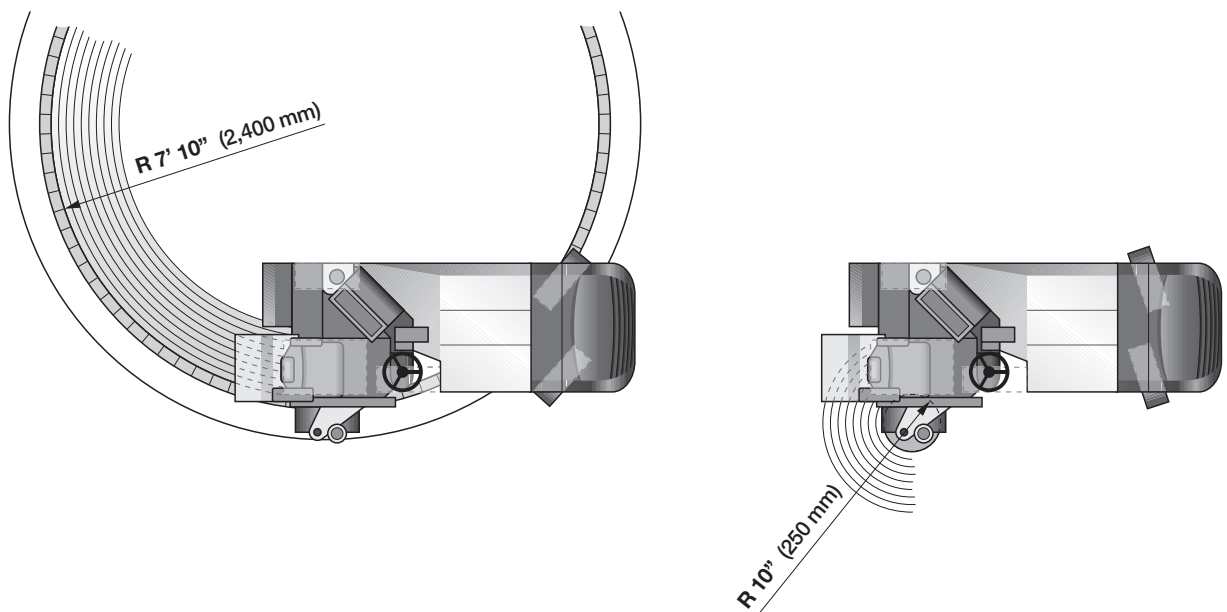
with support wheel folded in



Smallest possible milling radii of W 50, 3-wheeled model, 2" (50 mm) milling depth
Dimensions

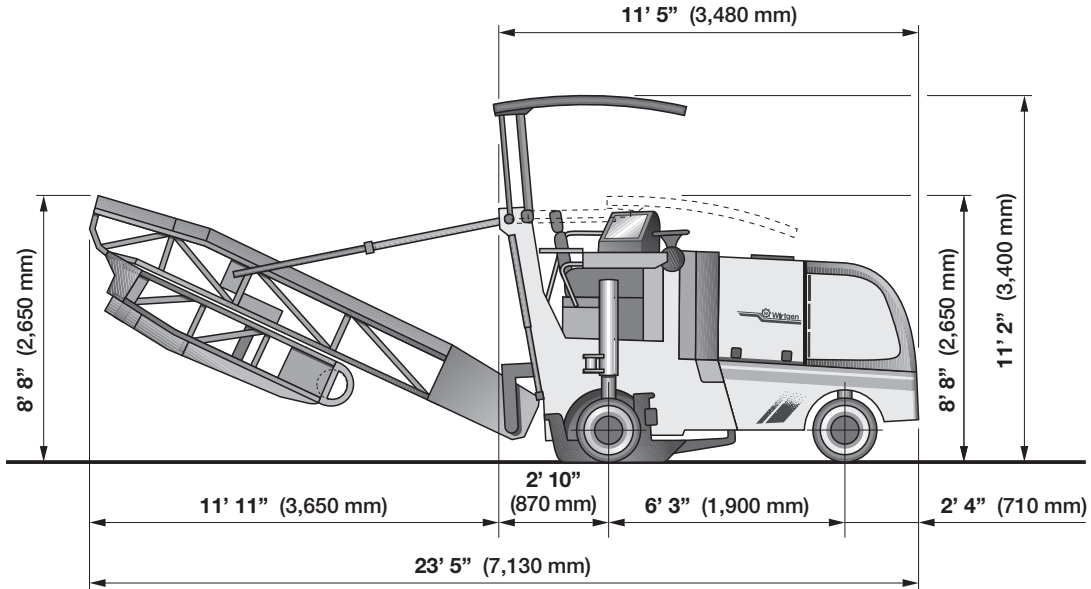


Smallest possible milling radii of W 50, 4-wheeled model, 2" (50 mm) milling depth
Dimensions



Machine transport with optional folding conveyor and canopy roof

Dimensions



	Standard weights of cold milling machine W 50 3-wheeled model without conveyor
Own weight	13,547 lbs (6,145 daN (kg))
Operating weight, CE *	14,473 lbs (6,565 daN (kg))
Operating weight, max.	14,958 lbs (6,785 daN (kg))
	Added / Reduced weight
Optional loading conveyors	
Conveyor, long	992 lbs (450 daN (kg))
Conveyor, short	551 lbs (250 daN (kg))
Folding conveyor, long	1,102 lbs (500 daN (kg))
FCS equipment	
FCS tandem scraper	397 lbs (180 daN (kg))
Optional equipment	
Four-wheel design	551 lbs (250 daN (kg))
Canopy	331 lbs (150 daN (kg))

* = Weight of machine with half-full water tank, half-full fuel tank, driver (165.3 lbs / 75 kg) and tools.

Equipment features of cold milling machine W 50

Standard equipment:

Operator's platform

- Convenient access to operator's platform
- Fully vibration-damped operator's platform
- Standard driver's seat adjustable in direction of travel
- Convenient control panel with practical switches
- Digital multi-functional display in control panel
- Height-adjustable steering wheel
- Multi-functional machine operation integrated in right-hand armrest
- Lockable covers for control panels
- Exterior rear view mirror, left
- Reversing horn

Machine control system

- Mechanical height adjustment
- Automatically engageable hydraulic traction control (flow divider)
- Manual milling speed control
- Engageable water injection in milling chamber

Engine

- Water-cooled engine
- Highly effective soundproofing of entire engine compartment

Milling drum assembly with milling drum

- Milling drum in welded double-pin toolholder design
- Right-hand side plate in hinged design
- Hydraulically lifting side plates, left and right

Loading the milled material

- Model without loading conveyor and without scraper blade with simple rear flap

Travelling gear / Height adjustment

- 3-wheeled chassis
- Mechanically folding rear right support wheel
- Two speeds for height adjustment

Miscellaneous

- Lighting package with 3 spotlights
- Comprehensive tool kit
- Safety package with emergency stop button
- Additional storage compartment for cutting tool containers

Optional Equipment:

Operator's platform

- Canopy, mechanically foldable and adjustable to either side
- Comfort driver's seat with individual adjustment to either side and in longitudinal direction
- Additional illumination of control panel, night design
- Exterior rear view mirror, right

Machine control system

- Digital electric height indication
- Automatic levelling system Level Pro with one wire-rope sensor each edge protection right, and edge protection left
- Slope sensor

Engine

- Operation of cold milling machine with bio-degradable hydraulic fluid

Milling drum assembly with milling drum

- Milling drum unit, 16" (400 mm) milling width, HT01, with scraper blade
- Milling drum unit, 12" (300 mm) milling width, HT01, with scraper blade
- Milling ring, 3" (80 mm) milling width, 12" (300 mm) milling depth
- Fine milling drum, 20" (500 mm) milling width, HT01, 1/4" (6 mm) tool spacing
- Additional milling drums
- Additional lock-valve for scraper blade
- FCS tandem scraper
- Mounting carriage for milling drums
- Hydraulically adjustable front sealing

Loading the milled material

- Discharge conveyor, 18' 4" (5,600 mm) mm long
- Mechanically folding discharge conveyor, 18' 4" (5,600 mm) long
- Short discharge conveyor, 3' 7" (1,100 mm) long
- Model without loading conveyor but with scraper blade

Travelling gear/Height adjustment

- 4-wheeled chassis

Miscellaneous

- Special painting
- Lighting package with 3 spotlights and direction indicators
- Additional hydraulic connection for ancillary hydraulic equipment



WIRTGEN AMERICA

Wirtgen America Inc.
6030 Dana Way · Nashville, TN 37013, USA
Phone: (615) 501-0600 · Fax: (615) 501-0691
Internet: www.wirtgenamerica.com