

Self-Propelled Articulating Booms

Z™ -45/25 & Z™ -45/25J DC/Bi-Energy

Specifications

| Models | Z-45/25 DC & Bi | | Z-45/25J DC & Bi | |
|------------------------------------|-----------------|---------|------------------|---------|
| Measurements | US | Metric | US | Metric |
| Working height maximum* | 51 ft 6 in | 15.87 m | 51 ft 9 in | 15.92 m |
| Platform height maximum | 45 ft 6 in | 13.87 m | 45 ft 9 in | 13.92 m |
| Horizontal reach maximum | 25 ft | 7.62 m | 25 ft 1 in | 7.65 m |
| Up and over clearance maximum | 23 ft 1 in | 7.04 m | 23 ft 1 in | 7.04 m |
| A Platform length | 2 ft 6 in | 0.76 m | 2 ft 6 in | 0.76 m |
| B Platform width | 6 ft | 1.83 m | 6 ft | 1.83 m |
| C Height - stowed | 6 ft 7 in | 2.00 m | 6 ft 7 in | 2.00 m |
| D Length - stowed | 18 ft 3 in | 5.56 m | 22 ft 5 in | 6.83 m |
| E Width | 5 ft 10.3 in | 1.79 m | 5 ft 10.3 in | 1.79 m |
| A Wheelbase | 6 ft 8 in | 2.03 m | 6 ft 8 in | 2.03 m |
| A Ground clearance - center | 9.5 in | 0.24 m | 9.5 in | 0.24 m |

Productivity

| | | | | |
|--------------------------|---------------------|----------|---------------------|----------|
| Lift capacity | 500 lbs | 227 kg | 500 lbs | 227 kg |
| Platform rotation | 180° | | 160° | |
| Vertical jib rotation | | | 135° | |
| Turntable rotation | 355° non-continuous | | 355° non-continuous | |
| Turntable tailswing | zero | | zero | |
| Drive speed - stowed | 3.0 mph | 4.8 km/h | 3.0 mph | 4.8 km/h |
| Drive speed - raised** | 0.61 mph | 1.0 km/h | 0.61 mph | 1.0 km/h |
| Gradeability - stowed*** | 30% | | 30% | |
| Turning radius - inside | 6 ft | 1.83 m | 6 ft | 1.83 m |
| Turning radius - outside | 14 ft | 4.27 m | 14 ft | 4.27 m |
| Controls | 24V DC proportional | | 24V DC proportional | |
| Tires | 9 x 14.5 in | | 9 x 14.5 in | |

Power

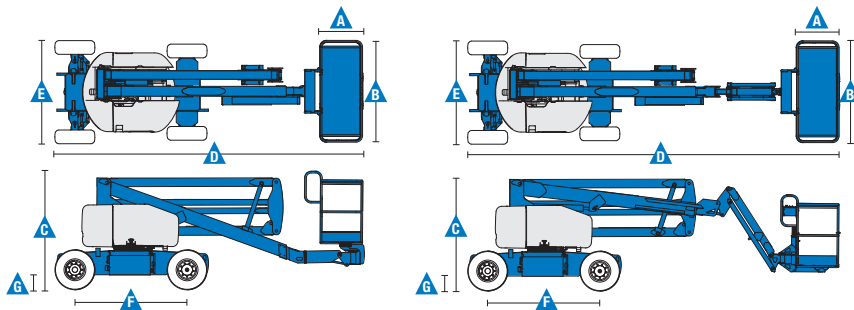
| | | | |
|-------------------------------|---|--------|--------------|
| Power source - DC | 48V DC (eight 6 V batteries, 350 Ah capacity) | | |
| Power source - Bi-Energy | 48V DC (eight 6 V batteries, 350 Ah capacity) with Tier IV Kubota 13.3 hp (9.9 kW) diesel driven alternator | | |
| Auxiliary power unit | 24V DC | | 24V DC |
| Hydraulic tank capacity | 8 gal | 30.3 L | 8 gal 30.3 L |
| Fuel tank capacity- Bi-Energy | 9 gal | 34.1 L | 9 gal 34.1 L |

Weight****

| | | | | |
|-----------|------------|----------|--------|----------|
| DC | 15,350 lbs | 6,963 kg | 16,300 | 7,394 kg |
| Bi-Energy | 15,850 lbs | 7,190 kg | 16,800 | 7,620 kg |

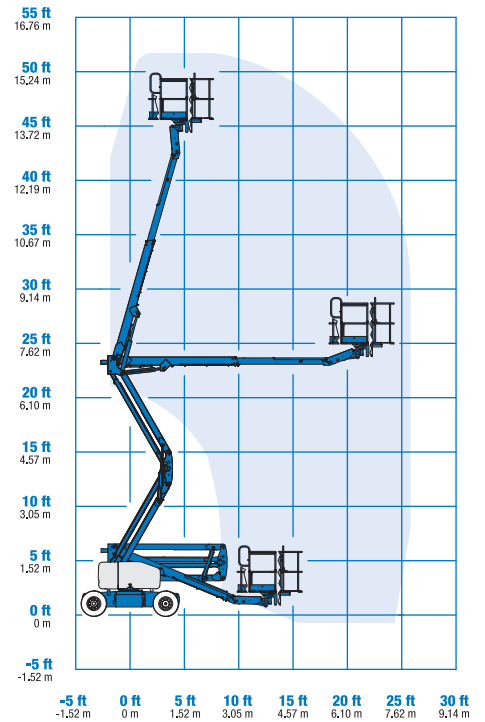
Standards Compliance

ANSI A92.5, CSA B354.4, EN 280, AS 1418.10

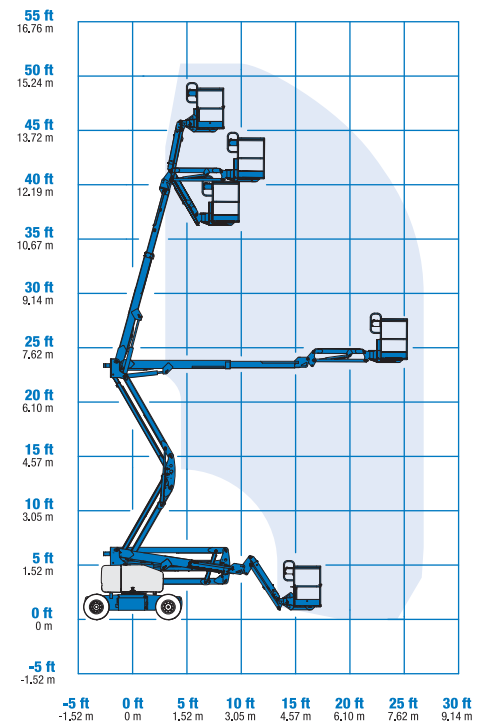


* The metric equivalent of working height adds 2 m to platform height. U.S. adds 6 ft to platform height.
 ** In lift mode (platform raised), the machine is designed to operate on firm, level surfaces only.
 *** Gradeability applies to driving on slopes. See operator's manual for details regarding slope ratings.
 **** Weight will vary depending on options and/or country standards.

Range Of Motion Z-45/25



Range Of Motion Z-45/25J



Features

Standard Features

Measurements

Z-45/25

- 51 ft 6 in (15.87 m) working height
- 25 ft (7.62 m) horizontal reach
- 23 ft 1 in (7.04 m) up and over clearance
- Up to 500 lb (227 kg) lift capacity

Z-45/25J

- 51 ft 9 in (15.94 m) working height
- 25 ft 1 in (7.65 m) horizontal reach
- 22 ft 1 in (6.73 m) up and over clearance
- Up to 500 lb (227 kg) lift capacity

Productivity

- Self-leveling platform
- Hydraulic platform rotation
- Fully proportional controls
- Thumb rocker steer
- Drive enable
- AC power to platform
- Horn
- Hour meter
- Tilt alarm
- 355° non-continuous turntable rotation
- Zero tailswing

Power

- 48V deep cycle battery pack
- 24V DC auxiliary power
- On board alternator powered by Tier IV Kubota 13.3 hp (9.9 kW) engine (Bi-energy model only)
- Battery charge indicator-BCI (Bi-energy model only)
- Universal 30A battery smart charger

Easily Configured To Meet Your Needs

Platform Options

- Steel 6 ft (1.83 m) (standard)
- Steel 6 ft (1.83 m) tri-entry

Jib Options

- Non-jib
- Articulating 5 ft (1.52 m) jib boom

Power

- 48V DC (eight 6V 350 Ah batteries)

Drive

- 2WD

Tire Options

- Industrial foam-filled (standard)
- Industrial non-marking foam-filled

Options & Accessories

Productivity

- Platform swing gate
- Half-mesh platform inserts with swing gate
- Platform top auxiliary rail
- Air line to platform
- Fire resistant hydraulic oil
- Biodegradable hydraulic oil
- Aircraft protection package*
- Tool tray
- Fluorescent tube caddy
- Pipe cradle (pair)
- Alarm package
- Panel cradle package**
- Work light package
- Lockable platform control box cover
- Tow package

Power

- AGM batteries
- EE UL583 Fire Protection rating (DC only)
- Battery charge indicator-BCI (DC only)
- Low voltage interrupt with BCI
- Cold Weather Package (Bi-Energy only)
- 800 watt inverter (DC only)
- Diesel catalytic muffler (Bi-Energy only)



* Reduces platform capacity to 440 lbs (only available on Jib models)

** Requires tri-entry platform

Genie United States

18340 NE 76th Street
P.O. Box 97030
Redmond, Washington 98073-9730
Telephone +1 (425) 881-1800
Toll Free in USA/Canada +1 (800)-536-1800
Fax +1 (425) 883-3475

Genie Europe

The Maltings
Wharf Road
Grantham NG31 6BH
UK
Telephone +44 (0)1476 584333
Fax +44 (0)1476 584334
Email: AWP-InfoEurope@terex.com

Distributed By:

Effective Date: February, 2012. Product specifications and prices are subject to change without notice or obligation. The photographs and/or drawings in this document are for illustrative purposes only. Refer to the appropriate Operator's Manual for instructions on the proper use of this equipment. Failure to follow the appropriate Operator's Manual when using our equipment or to otherwise act irresponsibly may result in serious injury or death. The only warranty applicable to our equipment is the standard written warranty applicable to the particular product and sale and we make no other warranty, express or implied. Products and services listed may be trademarks, service marks or trade names of Terex Corporation and/or their subsidiaries in the USA and many other countries. Genie is a registered trademark of Terex South Dakota, Inc. © 2012 Terex Corporation.